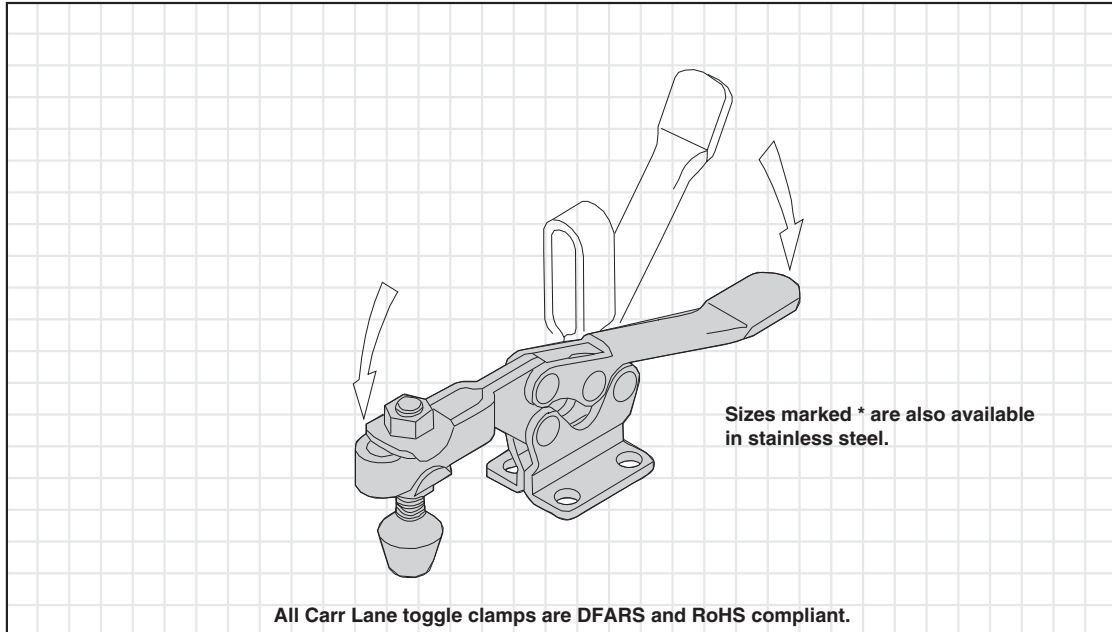









HORIZONTAL HANDLE




Standard HTC Design
pp. 428-433

Most-popular and widest-range series of horizontal-handle hold-down clamps. Available in seven sizes, the smaller ones with a comfortable finger grip. Most sizes are available with either a flanged base or a straight base. Choice of solid arm, or open arm for spindle adjustment.

 100 lbs*	 200 lbs*	 750 lbs*	
 60 lbs*	 150 lbs*	 500 lbs*	 1000 lbs




Automatically Adjusting
p. 434

Self-adjusting clamp automatically compensates for different workpiece heights without resetting the spindle. Clamping force is always consistent after setting once.

 750 lbs
--


Low-Arm TC Design
p. 435

Simple, classic-design horizontal-handle clamps. Available in three sizes, with either a flanged base or a straight base.

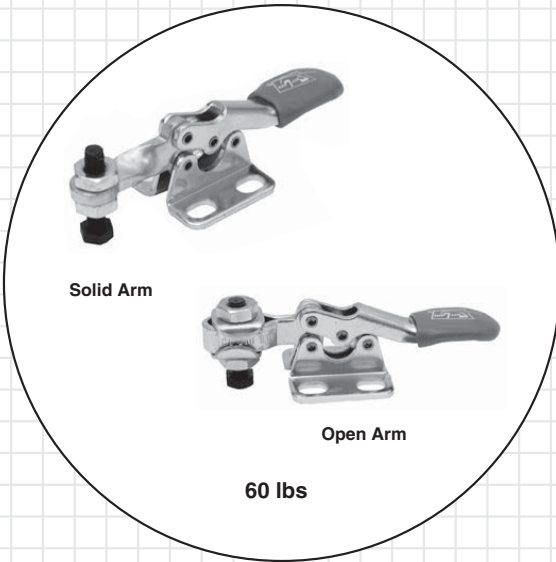
 250 lbs	 625 lbs	 850 lbs
--	--	--

Extra-Wide Opening
p. 436

Arm opens a full 185° for maximum loading clearance. Unique up-then-down handle motion. Handle locks at a 60° downward angle. Dual flanged bases allow mounting on either horizontal or vertical surfaces. Choice of solid arm, or open arm for spindle adjustment.

 375 lbs
--

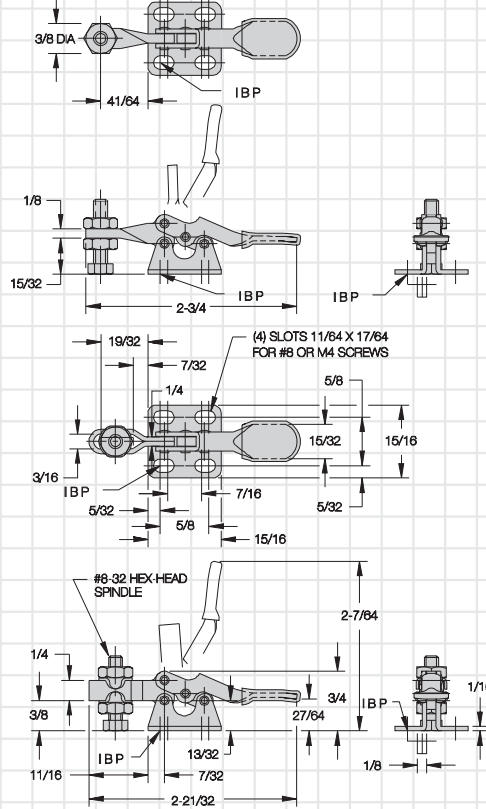
HORIZONTAL HANDLE



Solid Arm

Open Arm

60 lbs



3/8 DIA
41/64
IBP

1/8
15/32
2-3/4
IBP
IBP

19/32
7/32
1/4
5/8
15/32
15/16
3/16
5/32
5/8
7/16
5/32
15/16

#8-32 HEX-HEAD SPINDLE

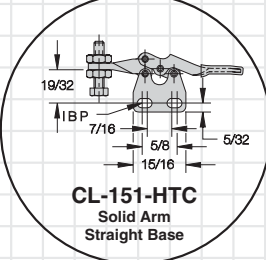
2-7/64
1/4
3/8
27/64
IBP
13/32
7/32
1/8
11/16

(4) SLOTS 11/64 X 17/64 FOR #8 OR M4 SCREWS

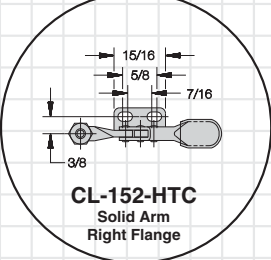
CL-150-HTC Solid Arm, Flanged Base
CL-250-HTC Open Arm, Flanged Base

Smallest hold-down clamp available. Choose either a solid arm, or an open arm for spindle adjustment. Arm opens 90° while handle moves 80°. Supplied with #8-32 nylon hex-head spindle CL-832203-SA. Open-arm versions also include (2) CL-832-TW flanged washers. Shipping weight 0.1 lbs.

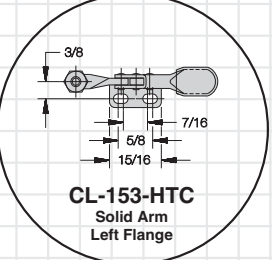
Holding capacity: 60 lbs



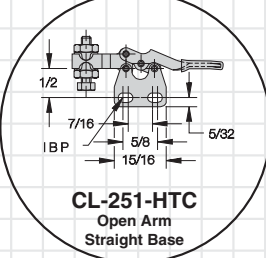
CL-151-HTC
Solid Arm
Straight Base



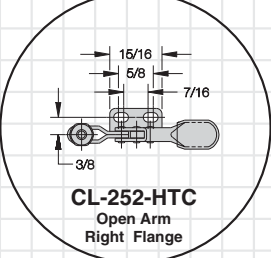
CL-152-HTC
Solid Arm
Right Flange



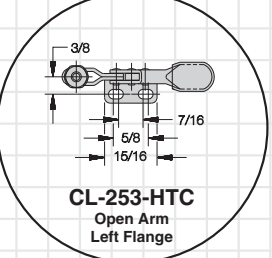
CL-153-HTC
Solid Arm
Left Flange



CL-251-HTC
Open Arm
Straight Base




CL-252-HTC
Open Arm
Right Flange




CL-253-HTC
Open Arm
Left Flange

Also available in stainless steel ...



CL-150-HTC-S



CL-250-HTC-S

HORIZONTAL HANDLE

CL-51-TC Low Arm, Flanged Base
CL-53-TC High Arm, Flanged Base

Miniature stainless steel clamp with open arm for spindle adjustment. Perfect for electronics fixturing and other light-duty application. Arm opens 90° while handle moves 90°. Supplied with #8-32 stainless hex-head spindle CL-832203-SA-S. Shipping weight 0.1 lbs.

Holding capacity: 100 lbs

CL-52-TC Low Arm, Straight Base
CL-54-TC High Arm, Straight Base

Low Arm
High Arm
100 lbs
Stainless Steel

CL-260-HTC

An extremely powerful clamp for its small size. Open arm allows spindle adjustment. Arm opens 90° while handle moves 75°. Supplied with #10-32 flat-cushion spindle CL-316112-FC and (2) CL-3166-TW flanged washers. Shipping weight 0.2 lbs.

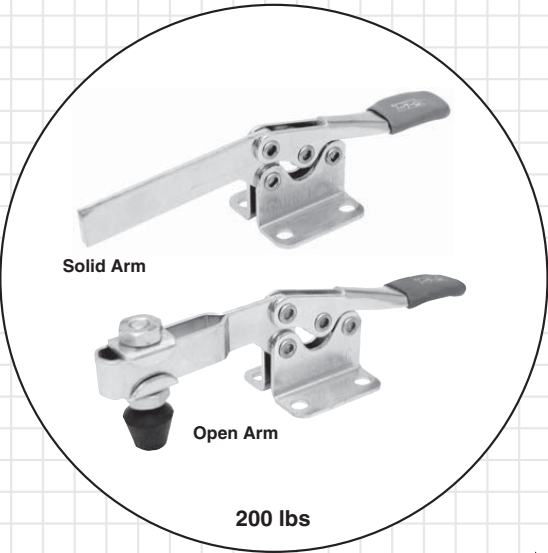
Holding capacity: 150 lbs

150 lbs

Also available in stainless steel ...

CL-260-HTC-S

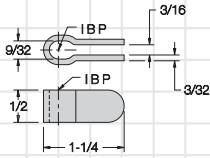
HORIZONTAL HANDLE



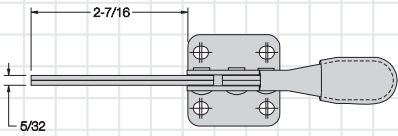
Solid Arm

Open Arm

200 lbs



**BOLT RETAINER
CL-142000-BR**

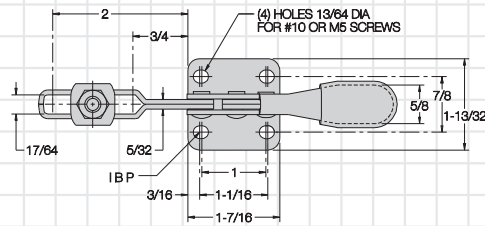


CL-300-HTC **Solid Arm, Flanged Base**

CL-350-HTC **Open Arm, Flanged Base**

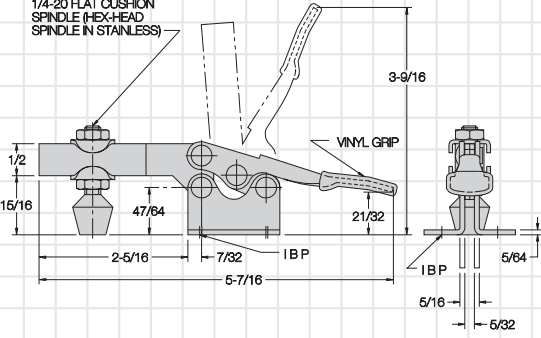
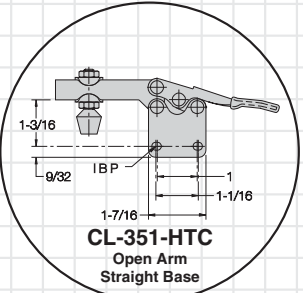
Popular medium-duty clamp. Choose either a solid arm, or an open arm for spindle adjustment. Arm opens 86° while handle moves 60°. Supplied with 1/4-20 short flat-cushion spindle CL-14112-FC. Solid-arm version supplied with CL-142000-BR bolt retainer. Open-arm version supplied with (2) CL-147-TW flanged washers. Shipping weight 0.3 lbs.

Holding capacity: **200 lbs**




1/4-20 FLAT CUSHION SPINDLE (HEX-HEAD SPINDLE IN STAINLESS)

VINYL GRIP

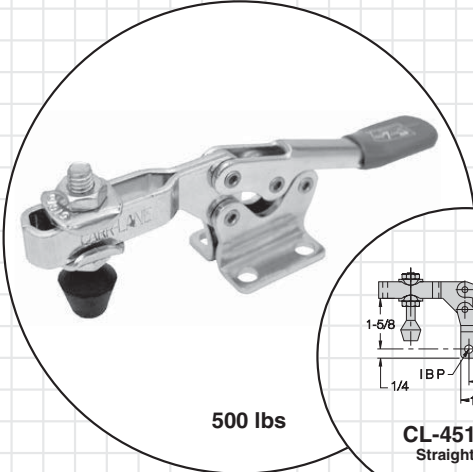
CL-351-HTC
Open Arm
Straight Base

Also available in stainless steel ...



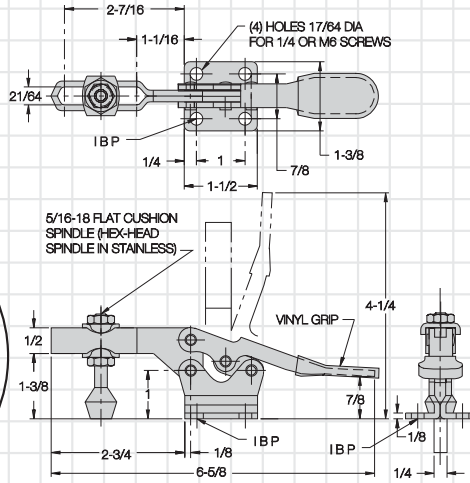
CL-350-HTC-S

HORIZONTAL HANDLE



500 lbs

CL-451-HTC
Straight Base




CL-450-HTC
Flanged Base

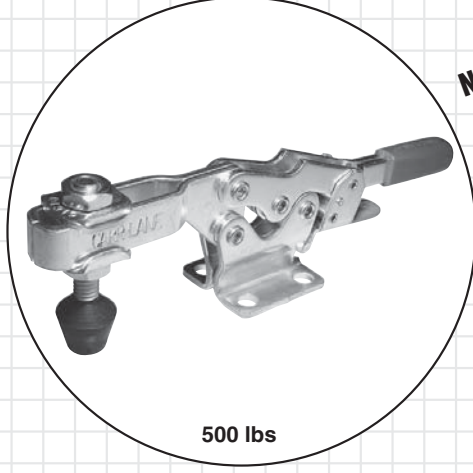
Strong-yet-compact horizontal-handle clamp, with open arm for spindle adjustment. Arm opens 90° while handle moves 65°. Supplied with 5/16-18 short flat-cushion spindle CL-518208-FC and (2) CL-51610-TW flanged washers. Shipping weight 0.6 lbs.

Holding capacity: 500 lbs

Also available in stainless steel . . .



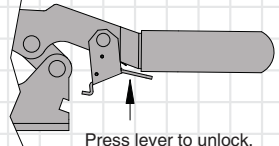
CL-450-HTC-S



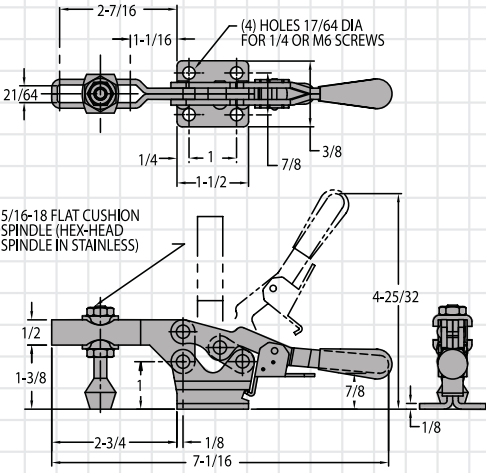
500 lbs

CL-450-LHTC
Flanged Base with Safety Lock

NOW ALSO AVAILABLE WITH SAFETY LOCK!



Press lever to unlock.

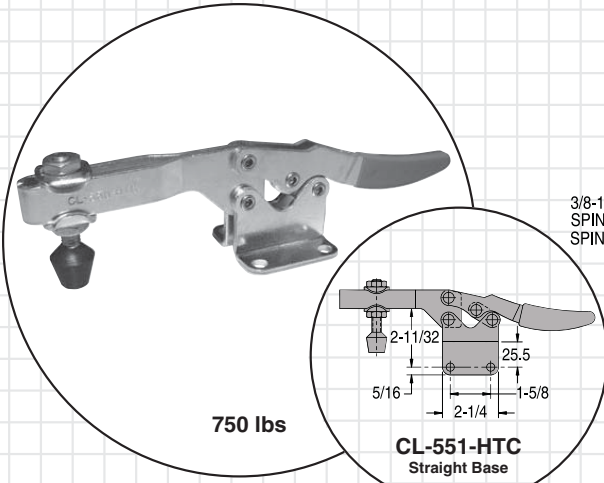


CL-450-LHTC
Flanged Base with Safety Lock

Same as the toggle clamp shown above, except with our new safety-lock feature. This safety lock automatically engages when the clamp is closed, then remains locked until manually disengaged by pressing the lever before opening. This prevents the clamp from being accidentally opened by bumping the handle. Shipping weight 0.7 lbs.

Holding capacity: 500 lbs

HORIZONTAL HANDLE



750 lbs

CL-551-HTC
Straight Base

3/8-16 FLAT-CUSHION SPINDLE (HEX-HEAD SPINDLE IN STAINLESS)

VINYL GRIP

(4 HOLES) 21/64 DIA FOR 5/16 OR M8 SCREWS


Dimensions: 3-3/4, 1-1/2, 7/16, 5/16, 5/16, 2-1/4, 1-5/8, 2-1/4, 1-5/8, 6-7/16, 3/4, 1-3/4, 1-5/16, 4-1/8, 1/4, 10-1/4, 5/32, 31/32, 5/16.

CL-550-HTC Flanged Base

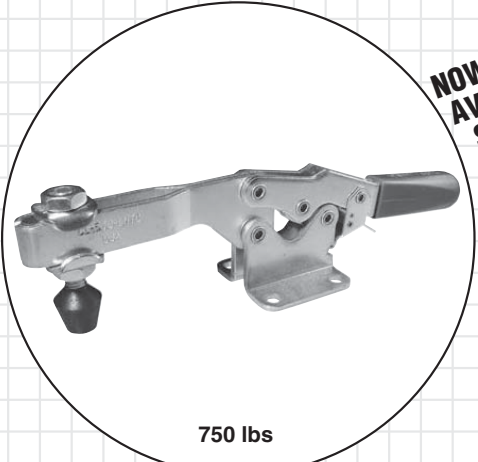
Heavy-duty clamp with open arm for spindle adjustment. Arm opens 90° while handle moves 55°. Supplied with 3/8-16 short flat-cushion spindle CL-38212-FC and (2) CL-3811-TW flanged washers. Shipping weight 1.5 lbs.

Holding capacity: 750 lbs

Also available in stainless steel . . .



CL-550-HTC-S CL-551-HTC-S



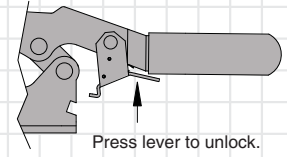
750 lbs

CL-550-LHTC Flanged Base with Safety Lock

Same as the toggle clamp shown above, except with our new safety-lock feature. This safety lock automatically engages when the clamp is closed, then remains locked until manually disengaged by pressing the lever before opening. This prevents the clamp from being accidentally opened by bumping the handle. Shipping weight 1.6 lbs.

Holding capacity: 750 lbs

NOW ALSO AVAILABLE WITH SAFETY LOCK!

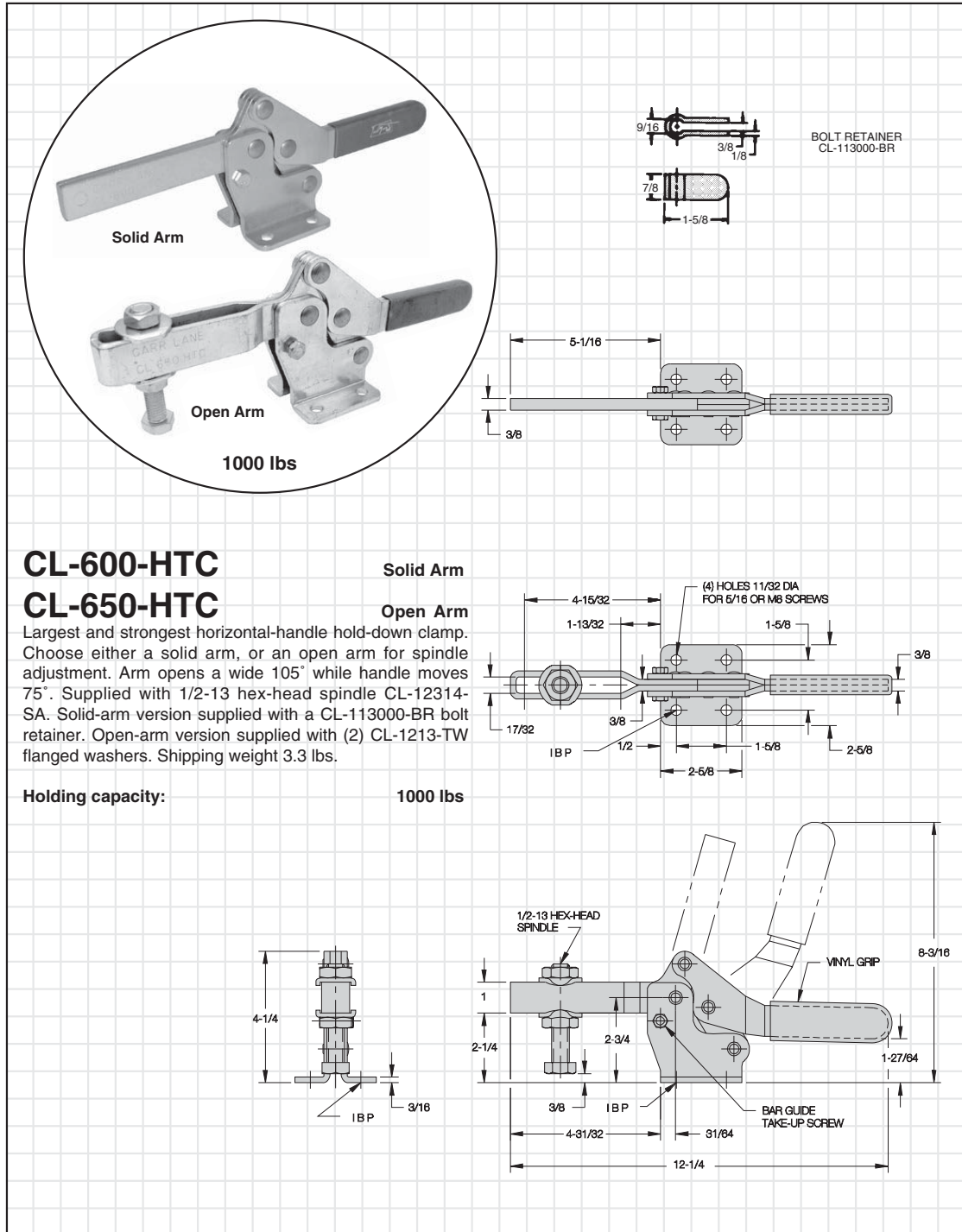


Press lever to unlock.

(4 HOLES) 21/64 DIA FOR 5/16 OR M8 SCREWS

Dimensions: 3-3/4, 1-1/2, 7/16, 5/16, 5/16, 2-1/4, 1-5/8, 2-1/4, 1-5/8, 6-3/32, 3/4, 1-3/4, 1-5/16, 4-1/8, 1/4, 10-3/4, 5/32, 13/16.

HORIZONTAL HANDLE



CL-600-HTC CL-650-HTC

Solid Arm

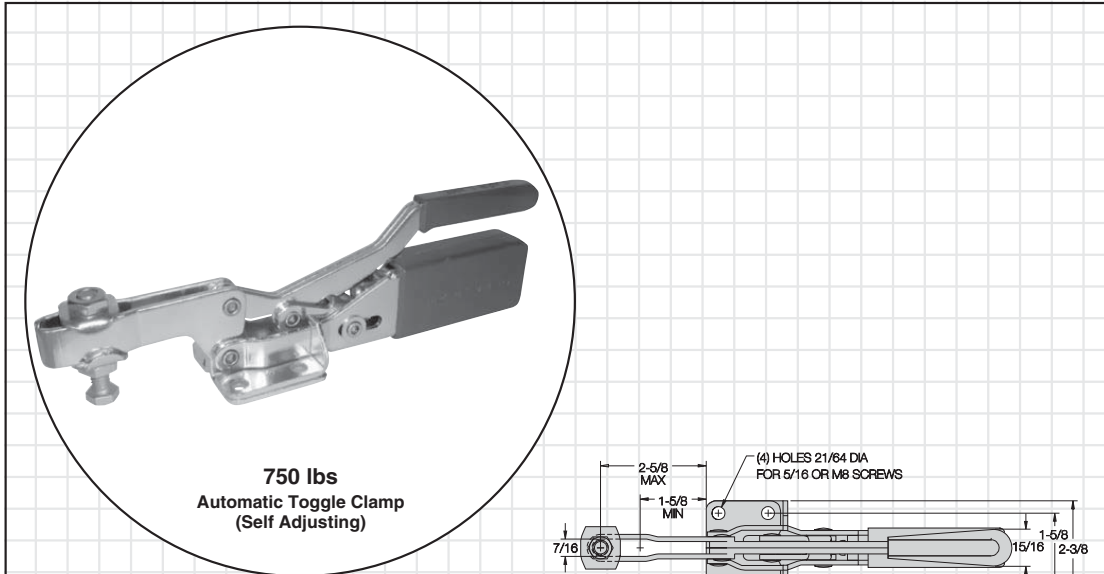
Open Arm

Largest and strongest horizontal-handle hold-down clamp. Choose either a solid arm, or an open arm for spindle adjustment. Arm opens a wide 105° while handle moves 75°. Supplied with 1/2-13 hex-head spindle CL-12314-SA. Solid-arm version supplied with a CL-113000-BR bolt retainer. Open-arm version supplied with (2) CL-1213-TW flanged washers. Shipping weight 3.3 lbs.

Holding capacity:

1000 lbs

HORIZONTAL HANDLE



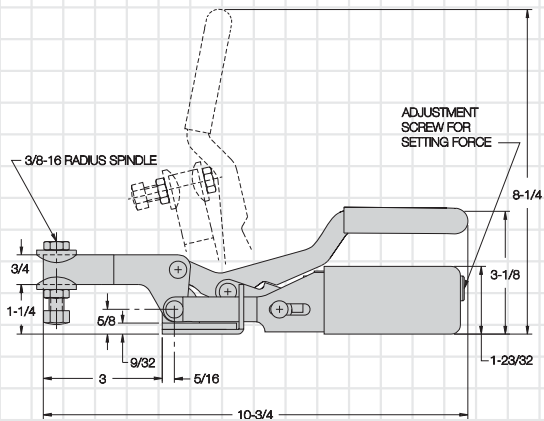
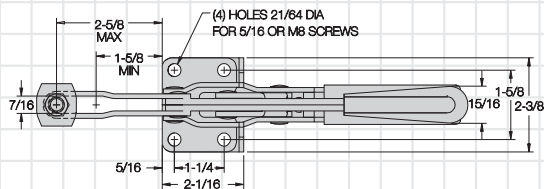
CL-550-AHTC Automatic Toggle Clamp

Automatically adjusts for different workpiece thicknesses! Clamps with the same, repeatable force anywhere within its 1/2" automatic-adjustment range. Perfect for welding fixtures, machining fixtures for castings, fixtures holding several part sizes within the same family, or any other application where part size can vary.

Easy to use. To set up, simply adjust the contact spindle to the average workpiece height, and set desired clamping force once. After that, operate just like a standard toggle clamp. The patented adjusting mechanism does the rest.

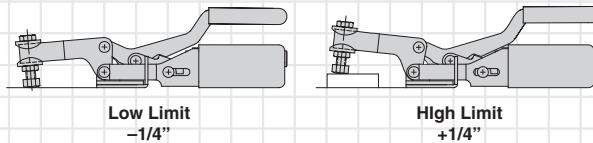
Clamping force is always consistent. The clamp's toggle action ensures that workpieces will remain clamped even under severe vibration. No additional spindle adjustment is ever needed. The clamp even compensates for wear in long production runs.

Fits in the same space, and provides the same clamping force as a standard toggle clamp. A maximum of 250 to 500 lbs clamping force (depending on spindle position) can be applied by hand. Arm opens 87° while handle moves 80°. Supplied with 3/8-16 radius spindle CL-38200-RS and (2) CL-3811-TW flanged washers. Patent no. 4,407,493. Other patents pending. Shipping weight 1.9 lbs.

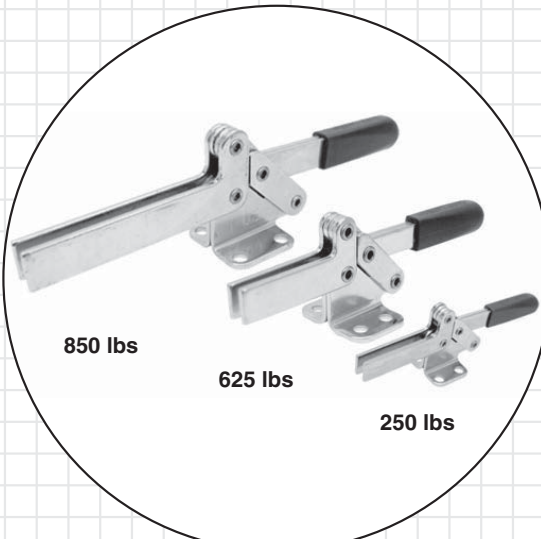


Holding capacity:

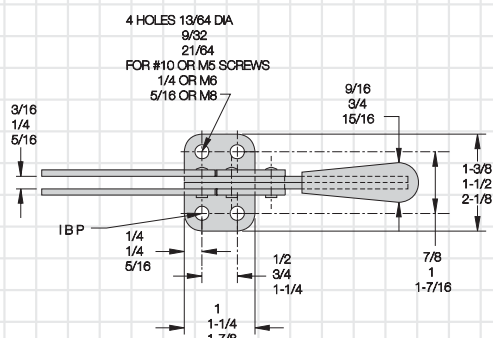
750 lbs



HORIZONTAL HANDLE



850 lbs
625 lbs
250 lbs



4 HOLES 13/64 DIA
9/32
21/64
FOR #10 OR M6 SCREWS
1/4 OR M6
5/16 OR M8

3/16
1/4
5/16

9/16
3/4
15/16

1-3/8
1-1/2
2-1/8

IBP

1/4
1/4
5/16

1/2
3/4
1-1/4

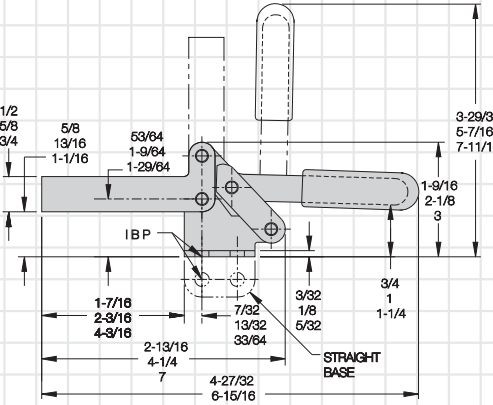
7/8
1
1-7/16

1
1-1/4
1-7/8

Classic-design horizontal-handle clamps with open arm for spindle adjustment. Arm opens 90° while handle moves 90°. Available in three sizes.

CL-151-TC
Smallest-size clamp. Accepts any #10-32 spindle and (2) CL-3166-TW flanged washers. For fixed spindle location, use a 1/4-20 spindle and a CL-1458-S bolt retainer. See pages 502-506 to order. Shipping weight 0.4 lbs.

Holding capacity: **250 lbs**



1/2
5/8
3/4

5/8
13/16
1-1/16

53/64
1-9/64
1-29/64

3-29/32
5-7/16
7-11/16

1-9/16
2-1/8
3

IBP

1-7/16
2-9/16
4-3/16

7/32
13/32
33/64

3/32
1/8
5/32

3/4
1
1-1/4

2-13/16
4-1/4
7

4-27/32
6-15/16
10-11/16

STRAIGHT BASE

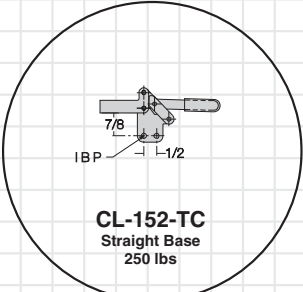
CL-251-TC
Medium-size clamp. Accepts any 1/4-20 spindle and (2) CL-148-TW flanged washers. For fixed spindle location, use a CL-1458-S bolt retainer. See pages 502-506 to order. Shipping weight 0.5 lbs.

Holding capacity: **625 lbs**

CL-151-TC (Top dimension)
CL-251-TC (Middle dimension)
CL-351-TC (Bottom dimension)

CL-351-TC
Largest-size clamp. Accepts any 5/16-18 spindle and (2) CL-51610-TW flanged washers. For fixed spindle location, use a CL-51658-S bolt retainer. See pages 502-506 to order. Shipping weight 1.4 lbs.

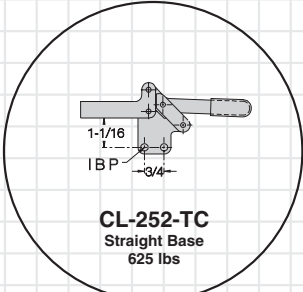
Holding capacity: **850 lbs**



7/8
1-1/2

IBP

CL-152-TC
Straight Base
250 lbs

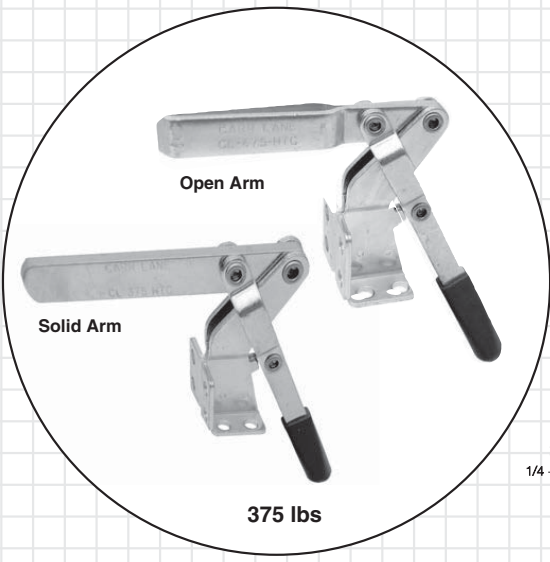


1-1/16
1
3/4

IBP

CL-252-TC
Straight Base
625 lbs

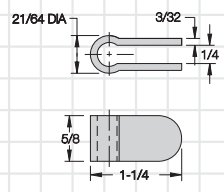
HORIZONTAL HANDLE



Open Arm

Solid Arm

375 lbs



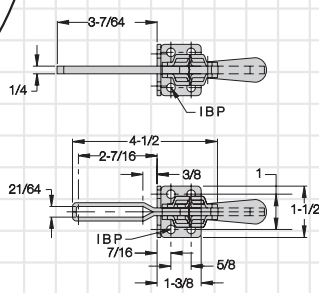
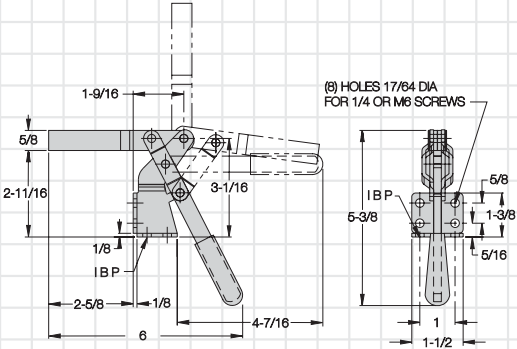
CL-375-HTC
CL-475-HTC

Extra-wide-opening clamp with handle that locks at a downward angle. Unique up-then-down handle motion opens arm a full 185°. Dual flanged bases allow mounting on either horizontal or vertical surfaces. Available with a solid arm, or an open arm for spindle adjustment. Accepts all 5/16-18 spindles. See pages 502-505 to order. Solid-arm version supplied with a CL-518000-BR bolt retainer. Open-arm version supplied with (2) CL-51610-TW flanged washers. Shipping weight 0.8 lbs.

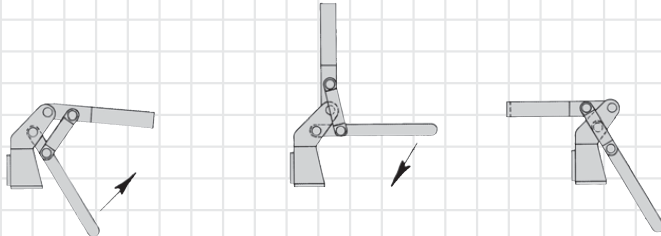
Holding capacity: **375 lbs**

Solid Arm

Open Arm

(B) HOLES 17/64 DIA FOR 1/4 OR M6 SCREWS



Unique up-then-down handle action