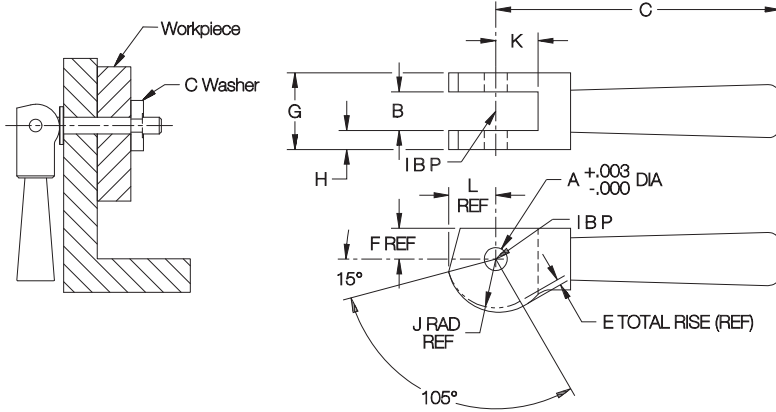


DOUBLE CAMS

1020 STEEL, CARBURIZED-HARDENED BLACK OXIDE FINISH



Straddle-type cam handle that can be used with an Eyebolt or custom-made drawbar. Continuous-rise spiral cam locks securely in any position. Available in six inch and five metric sizes.

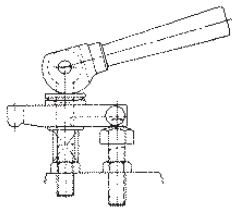


INCH

PART NO.	MATCHING EYEBOLT SIZE	A DIA		B		C	E	F	G	H	J	K	L	CLEVIS PIN REQD
		NOMINAL	ACTUAL	NOMINAL	ACTUAL									
CL-11-CH	1/4-20	3/16	.188	1/4	.266	2-17/32	.046	1/4	5/8	3/16	.40	.33	.38	CL-610-CLVP
CL-11A-CH	5/16-18	1/4	.250	5/16	.328					5/32				CL-810-CLVP
CL-12-CH	3/8-16	5/16	.313	3/8	.390	3-13/16	.062	5/16	7/8	1/4	.52	.54	.50	CL-1014-CLVP
CL-13-CH	1/2-13	3/8	.376	1/2	.516	4-5/8	.094	1/2	1-1/8	5/16	.79	.69	.76	CL-1218-CLVP
CL-14-CH	5/8-11	5/8	.626	5/8	.641	4-15/16	.109	9/16	1-1/4		.92	.85	.89	CL-2020-CLVP
CL-15-CH	3/4-10	5/8	.626	3/4	.766	5-1/8	.141	5/8	1-1/2	3/8	1.19	1.00	1.15	CL-2024-CLVP

METRIC

CLM-11-CH	M6	6mm	.237	6mm	.266	2-17/32	.046	1/4	5/8	3/16	.40	.33	.38	CLM-616-CLVP
CLM-12-CH	M10	10mm	.395	10mm	.409	3-13/16	.062	5/16	7/8	1/4	.52	.54	.50	CLM-1023-CLVP
CLM-13-CH	M12	12mm	.473	12mm	.516	4-5/8	.094	1/2	1-1/8	5/16	.79	.69	.76	CLM-1229-CLVP
CLM-14-CH	M16	16mm	.631	16mm	.641	4-15/16	.109	9/16	1-1/4		.92	.85	.89	CLM-1632-CLVP
CLM-15-CH	M20	20mm	.788	20mm	.803	5-1/8	.141	5/8	1-1/2	3/8	1.19	1.00	1.15	CLM-2038-CLVP



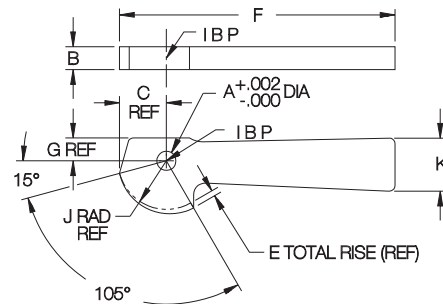
Double Cams are used with Eyebolts on Slotted-Heel Clamp Assemblies. **INFO+:** See page 209.

SINGLE CAMS

1020 STEEL, CARBURIZED-HARDENED, BLACK OXIDE FINISH



Simple cam handle that mounts in a slot, or against a flat surface. Continuous-rise spiral cam locks securely in any position. Available in five sizes.



PART NO.	A DIA	B	C	E	F	G	J	K	CLEVIS PIN REQD
CL-1-CH	5/32	3/16	.38	.046	2-1/4	3/16	.40	1/2	CL-510-CLVP
CL-2-CH	1/4	1/4	.50	.062	3-1/4	1/4	.52	11/16	CL-816-CLVP
CL-3-CH	5/16	3/8	.76	.094	4-1/2	3/8	.79	7/8	CL-1020-CLVP
CL-4-CH	3/8	1/2	.89	.109	5	7/16	.92	15/16	CL-1224-CLVP
CL-5-CH	1/2	5/8	1.15	.141	5-1/2	1/2	1.19	1	CL-1628-CLVP

CLAMP RESTS

STEEL: 12L14, CARBURIZED-HARDENED, BLACK OXIDE FINISH
STAINLESS STEEL: 300 SERIES

STEEL (INCH)

PART NO.	A	C DIA	D	E	F	G
CL-1-CR	1/4-20	5/32	1/8	1/4	7/16	1-1/8
CL-1A-CR						1-11/16
CL-1B-CR	5/16-18	7/32	3/16	5/16	1/2	2-7/16
CL-2-CR						2-1/32
CL-3-CR	3/8-16	11/32	7/32	3/8	9/16	3-21/32
CL-4-CR						2-1/8
CL-5-CR	1/2-13	11/32	1/4	1/2	11/16	3-5/8
CL-6-CR						2-3/8
CL-7-CR	5/8-11	15/32	1/4	5/8	7/8	3-5/8
CL-8-CR						2-1/2
CL-9-CR	3/4-10	15/32	1/4	5/8	1-1/16	3-5/8

STEEL (METRIC)

CLM-1-CR	M6	.157	.118	.20	10mm	1.06
CLM-1A-CR	M8	.217	.157	.31	13mm	1.77
CLM-2-CR						1.93
CLM-3-CR	M10	.343	.236	.39	17mm	3.70
CLM-4-CR						2.13
CLM-4A-CR	M12	.343	.236	.59	19mm	3.70
CLM-5-CR						2.13
CLM-7-CR	M16	.472	.236	.59	24mm	3.70
CLM-8-CR						2.48
CLM-9-CR	M20	.472	.276	.59	30mm	3.66

STAINLESS STEEL (INCH)

PART NO.	A	B	C	D DIA	E
CL-13407		1/2	3/4		
CL-13410	#10-32	3/4	1	3/32	1/8
CL-13415		1-1/4	1-1/2		
CL-13510		11/16	1		1/8
CL-13515	1/4-20	1-3/16	1-1/2	1/8	3/16
CL-13520		1-7/16	1-3/4		1/4
CL-13612		7/8	1-1/4		
CL-13615	5/16-18	1-1/8	1-1/2	5/32	3/16
CL-13620		1-5/8	2		
CL-13715		1-1/8	1-1/2		
CL-13717	3/8-16	1-3/8	1-3/4	3/16	3/16
CL-13727		2-3/8	2-3/4		

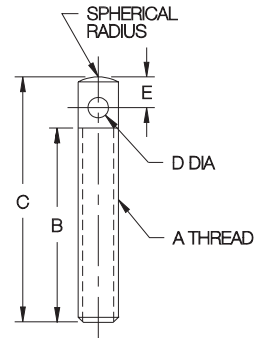
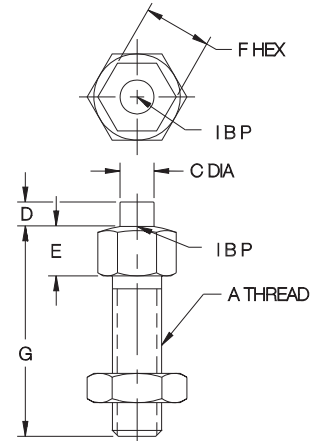


Steel

Rear support for Slotted-Heel Clamp Straps. Steel version has a hex head for adjustment, and is furnished with a Jam Nut. Stainless steel version has a drilled hole for turning with a rod.



Stainless Steel

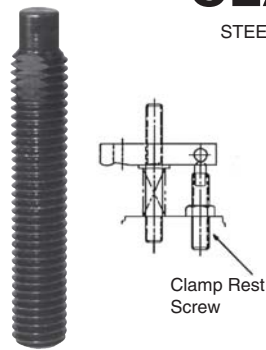


CLAMP REST SCREWS

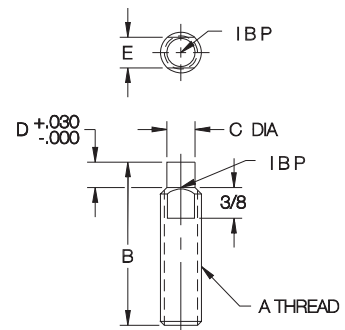
STEEL: 12L14, CARBURIZED-HARDENED, BLACK OXIDE FINISH

INCH

PART NO.	A	B	C DIA	D	E
CL-1-CRS		2			
CL-2-CRS	3/8-16	2-1/2	.250	.313	1/4
CL-3-CRS		3			
CL-4-CRS		2			
CL-5-CRS	1/2-13	2-1/2	.344	.313	3/8
CL-6-CRS		3			

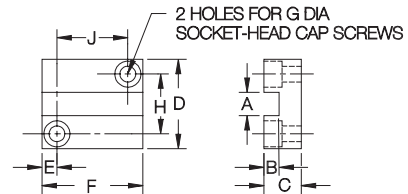
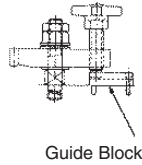


Rear support for Drill-Spot-Heel Clamp Straps.



GUIDE BLOCKS

1018 STEEL, CARBURIZED-HARDENED, BLACK OXIDE FINISH

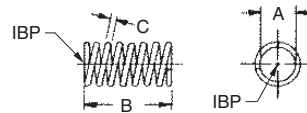
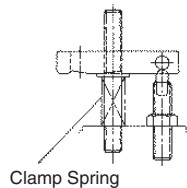


Rear slide block for Tapped-Heel Clamp Straps.
Guides Clamp Strap straight back for loading.

PART NO.	FITS STUD SIZE	A	B	C	D	E	F	G	H	J
CL-2-GB	1/4-20 or M6	.198	.10	1/4	3/4	13/64	1-3/16	#6-32 or M4	15/32	25/32
CL-4-GB	3/8-16 or M10	.265	.20	1/2	1-1/8	7/32	2	#10-32 or M5	3/4	1-9/16
CL-6-GB	1/2-13 or M12	.390	.25	5/8	1-1/2	1/4	1-11/16	1/4-20 or M6	1	1-3/16
CL-8-GB	5/8-11 or M16	.515					1-5/8			1-1/8
CL-11-GB	3/4-10 or M20	.640	.37	3/4	1-3/4		2-13/32		1-1/4	1-29/32

CLAMP SPRINGS

STEEL: SPRING STEEL, BLACK OXIDE FINISH
STAINLESS STEEL: 300-SERIES



Sturdy spring that holds up a Clamp Strap for clear loading. Stainless steel springs are also available in custom lengths from 0.3 inches to 10.0 inches, in 0.1-inch increments. Note: Custom-length springs have open ends, while standard-length springs have closed ends. Examples:

CL-2430.7 Standard 0.7-inch length (#10-32)
CL-2431.5 Custom 1.5-inch length (#10-32)

STEEL

PART NO.	FITS STUD SIZE	A DIA	B	C DIA	NO. OF COILS
CL-5-SPG	1/4-20 or M6	19/64	1-1/8		7
CL-6-SPG	5/16-18 or M8	23/64	1-7/32	.062	6
CL-7-SPG	3/8-16 or M10	7/16	1-9/16		8
CL-9-SPG	1/2-13 or M12	9/16	1-11/16		7
CL-11-SPG	5/8-11 or M16	11/16	1-3/4	.091	5
CL-13-SPG	3/4-10 or M20	13/16	2-1/2		6-1/2

STAINLESS STEEL

CL-2430.7	#10-32 or M5	13/64			
CL-2440.7	1/4-20 or M6	17/64	.7	.042	5-1/2
CL-2450.7	5/16-18 or M8	21/64	.7		5
CL-2461.0	3/8-16 or M10	13/32	1.0	.049	7

CLAMPING KITS

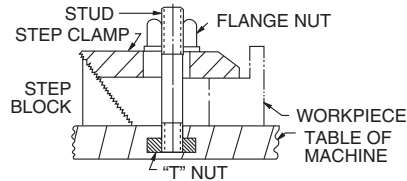
SEE CATALOG PAGE OF EACH COMPONENT FOR MATERIAL SPECIFICATIONS



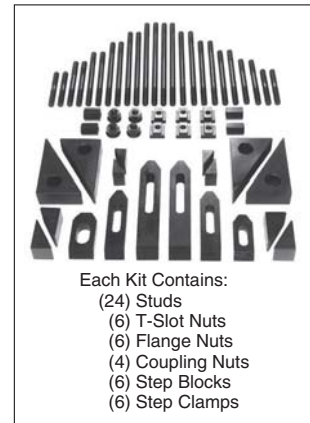
**Standard Blocks
Metal Holder**



**High-Rise Blocks
Wooden Holder**



Economical Clamping Kit with a wide assortment of Step Clamps and Blocks. Fully machined from top-grade steel. Available with standard Step Blocks in a metal holder (for wall or machine mounting), or with wider high-rise blocks in a wooden holder.



Each Kit Contains:
(24) Studs
(6) T-Slot Nuts
(6) Flange Nuts
(4) Coupling Nuts
(6) Step Blocks
(6) Step Clamps

STANDARD BLOCKS (INCH)

PART NO.	STUD SIZE	TABLE SLOT SIZE	T-NUT & STUD SET (1)	STEP CLAMPS (2) EACH	STEP BLOCK PAIRS (2) EACH	HOLDER (1)
CL-1-CK	3/8-16	7/16	CL-1-TNS	CL-32-STC	CL-10-BS	CL-1-CKMH
CL-20-CK		12mm	CL-14-TNS	CL-34-STC	CL-20-BS	
CL-2-CK		1/2	CL-2-TNS	CL-36-STC	CL-30-BS	
CL-3-CK	1/2-13	9/16 or 14mm	CL-3-TNS	CL-42-STC	CL-10-BS	CL-2-CKMH
CL-24-CK		5/8 or 16mm	CL-17-TNS	CL-44-STC	CL-20-BS	
CL-4-CK		9/16 or 14mm	CL-4-TNS	CL-46-STC	CL-30-BS	
CL-5-CK	5/8-11	5/8 or 16mm	CL-5-TNS	CL-52-STC	CL-10-BS	CL-3-CKMH
CL-6-CK		11/16 or 18mm	CL-6-TNS	CL-54-STC	CL-20-BS	
CL-7-CK		3/4	CL-18-TNS	CL-56-STC	CL-30-BS	
CL-8-CK	5/8-11	11/16 or 18mm	CL-7-TNS	CL-52-STC	CL-10-BS	CL-3-CKMH
CL-21-CK		3/4	CL-8-TNS	CL-54-STC	CL-20-BS	
CL-9-CK		20mm	CL-15-TNS	CL-56-STC	CL-30-BS	

STANDARD BLOCKS (METRIC)

CLM-1-CK	M10	12mm	CLM-1-TNS	CL-32-STC	CL-10-BS	CL-1-CKMH
CLM-2-CK		1/2	CLM-2-TNS	CL-34-STC	CL-20-BS	
CLM-3-CK		9/16 or 14mm	CLM-3-TNS	CL-36-STC	CL-30-BS	
CLM-4-CK	M12	9/16 or 14mm	CLM-4-TNS	CL-42-STC	CL-10-BS	CL-2-CKMH
CLM-5-CK		5/8 or 16mm	CLM-5-TNS	CL-44-STC	CL-20-BS	
CLM-6-CK		11/16 or 18mm	CLM-6-TNS	CL-46-STC	CL-30-BS	
CLM-7-CK	M16	11/16 or 18mm	CLM-7-TNS	CL-52-STC	CL-10-BS	CL-3-CKMH
CLM-8-CK		20mm	CLM-8-TNS	CL-54-STC	CL-20-BS	
CLM-9-CK		13/16	CLM-9-TNS	CL-56-STC	CL-30-BS	

HIGH-RISE BLOCKS (INCH)

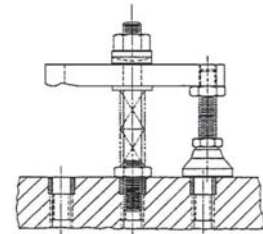
PART NO.	STUD SIZE	TABLE SLOT SIZE	T-NUT & STUD SET (1)	STEP CLAMPS (2) EACH	STEP BLOCK PAIRS (2) EACH	HOLDER (1)
CL-10-CK	1/2-13	9/16 or 14mm	CL-4-TNS	CL-42-STC	CL-40-BS	CL-4-CKH
CL-11-CK		5/8 or 16mm	CL-5-TNS	CL-44-STC	CL-50-BS	
CL-12-CK		11/16 or 18mm	CL-6-TNS	CL-46-STC	CL-60-BS	
CL-13-CK	5/8-11	11/16 or 18mm	CL-7-TNS	CL-52-STC	CL-40-BS	CL-5-CKH
CL-14-CK		3/4	CL-8-TNS	CL-54-STC	CL-50-BS	
CL-22-CK		20mm	CL-15-TNS	CL-56-STC	CL-60-BS	
CL-15-CK	3/4-10	13/16	CL-9-TNS	CL-64-STC	CL-40-BS	CL-6-CKH
CL-16-CK		13/16	CL-10-TNS	CL-66-STC	CL-50-BS	
CL-23-CK		22mm	CL-16-TNS	CL-68-STC	CL-60-BS	
CL-17-CK	3/4-10	7/8	CL-11-TNS	CL-64-STC	CL-40-BS	CL-6-CKH
CL-18-CK		1	CL-12-TNS	CL-66-STC	CL-50-BS	
CL-19-CK		1-1/16	CL-13-TNS	CL-68-STC	CL-60-BS	

HIGH-RISE BLOCKS (METRIC)

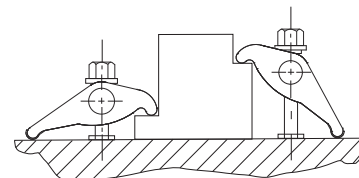
CLM-10-CK	M12	9/16 or 14mm	CLM-4-TNS	CL-42-STC	CL-40-BS	CL-4-CKH
CLM-11-CK		5/8 or 16mm	CLM-5-TNS	CL-44-STC	CL-50-BS	
CLM-12-CK		11/16 or 18mm	CLM-6-TNS	CL-46-STC	CL-60-BS	
CLM-13-CK	M16	11/16 or 18mm	CLM-7-TNS	CL-52-STC	CL-40-BS	CL-5-CKH
CLM-14-CK		20mm	CLM-8-TNS	CL-54-STC	CL-50-BS	
CLM-15-CK		13/16	CLM-9-TNS	CL-56-STC	CL-60-BS	
CLM-17-CK	M20	22mm	CLM-11-TNS	CL-64-STC	CL-40-BS	CL-6-CKH
				CL-66-STC	CL-50-BS	
				CL-68-STC	CL-60-BS	

DELUXE CLAMPING KITS

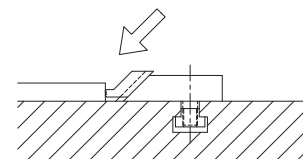
SEE CATALOG PAGE OF EACH COMPONENT FOR MATERIAL SPECIFICATIONS
HOLDER: STEEL, ENAMEL PAINT



Clamp Strap Assemblies



Forged Adjustable Clamps



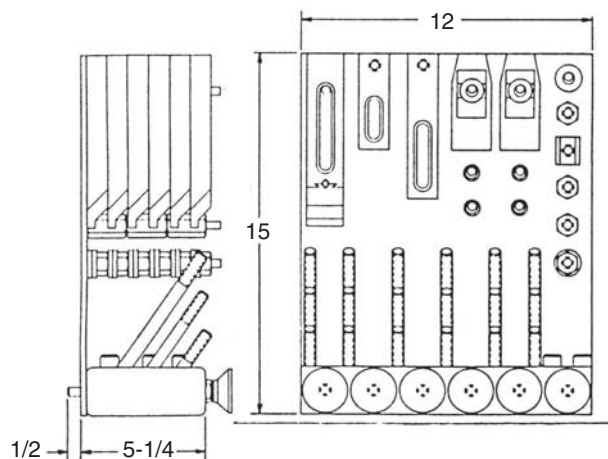
Serrated Edge Clamps

New, improved Clamping Kit with three different types of clamps. Safer and less cumbersome than sets using Step Blocks and Clamps. This 94-piece set includes:

- (12) Tapped-Heel Clamp Straps, short and long
- (4) Forged Adjustable Clamps
- (6) Serrated Edge Clamps
- (6) Stud Leveling Feet
- (6) T Nuts
- (6) Short Clamping Studs
- (6) Medium Clamping Studs
- (6) Long Clamping Studs
- (6) Spherical Nuts & Washers
- (6) Coupling Nuts
- (6) Jam Nuts
- (6) Flat Washers
- (12) Clamp Springs
- (6) Socket-Head Cap Screws
- (1) Sturdy Steel Rack

Available to fit table-slot sizes from 7/16" to 13/16" (12mm to 20mm in metric), in thread sizes from 3/8"-16 to 5/8"-11 (M10 to M16 in metric).

The Stud Leveling Feet in these kits serve as the rear supports for Tapped-Heel Clamp Straps. These leveling feet are optionally available with Delrin® pads to avoid marring the table when less clamping force is required, such as when used on coordinate measuring machines.



DELUXE CLAMPING KITS



INCH

PART NO. STEEL PADS	PART NO. DELRIN® PADS	TABLE SLOT SIZE	STUD SIZE	CLAMP STRAPS (6 EACH)	FORGED ADJ. CLPS. (4)	SERR. ADJ. CLPS. (4)	STUDS (6 EACH)	LEVELING FEET (6)	T NUTS (6)	NUTS & WASHERS (6 EACH)	SPRINGS (12)	SOCKET-HEAD CAP SCREWS (6)
CL-1-DCK	CL-1-DCKN	7/16	3/8-16	CL-63-CS CL-67-CS	CL-6-FAC	CL-30-SAC	CL-3/8-16x3.00-STUD CL-3/8-16x5.00-STUD CL-3/8-16x7.00-STUD	CL-6-SLF-BO or CL-6-SLFN	CL-00-TN	CL-1-CN	CL-9-SPG	CL-3/8-16x1.25-SHCS
CL-20-DCK	CL-20-DCKN	12mm							CL-12-TN	CL-2-SNWN		
CL-2-DCK	CL-2-DCKN	1/2							CL-0-TN	CL-6-JN		
CL-3-DCK	CL-3-DCKN	9/16 or 14mm							CL-1-TN	CL-1-FW		
CL-24-DCK	CL-24-DCKN	5/8 or 16mm	1/2-13	CL-71-CS CL-75-CS	CL-8-FAC	CL-60-SAC	CL-1/2-13x4.00-STUD CL-1/2-13x6.00-STUD CL-1/2-13x8.00-STUD	CL-8-SLF-BO or CL-8-SLFN	CL-16-TN	CL-2-CN	CL-9-SPG	CL-1/2-13x1.50-SHCS
CL-4-DCK	CL-4-DCKN	9/16 or 14mm							CL-9-TN	CL-3-SNWN		
CL-5-DCK	CL-5-DCKN	5/8 or 16mm							CL-2-TN	CL-8-JN		
CL-6-DCK	CL-6-DCKN	11/16 or 18mm							CL-3-TN	CL-2-FW		
CL-7-DCK	CL-7-DCKN	3/4	5/8-11	CL-81-CS CL-85-CS	CL-10-FAC	CL-90-SAC	CL-5/8-11x4.00-STUD CL-5/8-11x6.00-STUD CL-5/8-11x8.00-STUD	CL-10-SLF-BO or CL-10-SLFN	CL-17-TN	CL-10-TN	CL-9-SPG	CL-5/8-11x1.50-SHCS
CL-27-DCK	CL-27-DCKN	11/16 or 18mm							CL-4-TN	CL-4-SNWN		
CL-8-DCK	CL-8-DCKN	3/4							CL-14-TN	CL-10-JN		
CL-21-DCK	CL-21-DCKN	20mm							CL-5-TN	CL-3-FW		
CL-9-DCK	CL-9-DCKN	13/16										

METRIC

CLM-1-DCK	CLM-1-DCKN	12mm	M10	CLM-63-CS CLM-67-CS	CL-6-FAC	CL-30-SAC	CLM-10x80-STUD CLM-10x125-STUD CLM-10x175-STUD	CLM-10-SLF-BO or CLM-10-SLFN	CLM-00-TN	CLM-10-CN	CL-7-SPG	CLM-10x30-SHCS
CLM-2-DCK	CLM-2-DCKN	1/2							CLM-0-TN	CLM-10-SNWN		
CLM-3-DCK	CLM-3-DCKN	9/16 or 14mm							CLM-1-TN	CLM-10-JN		
CLM-4-DCK	CLM-4-DCKN	9/16 or 14mm	M12	CLM-71-CS CLM-75-CS	CL-8-FAC	CL-60-SAC	CLM-12x95-STUD CLM-12x150-STUD CLM-12x200-STUD	CLM-12-SLF-BO or CLM-12-SLFN	CLM-9-TN	CLM-12-CN	CL-9-SPG	CLM-12x40-SHCS
CLM-5-DCK	CLM-5-DCKN	5/8 or 16mm							CLM-2-TN	CLM-12-SNWN		
CLM-6-DCK	CLM-6-DCKN	11/16 or 18mm							CLM-3-TN	CLM-12-JN		
CLM-7-DCK	CLM-7-DCKN	11/16 or 18mm							CL-2-FW	CL-2-FW		
CLM-8-DCK	CLM-8-DCKN	20mm	M16	CLM-81-CS CLM-85-CS	CL-10-FAC	CL-90-SAC	CLM-16x110-STUD CLM-16x150-STUD CLM-16x200-STUD	CLM-16-SLF-BO or CLM-16-SLFN	CLM-10-TN	CLM-16-CN	CL-11-SPG	CLM-16x40-SHCS
CLM-8-DCK	CLM-8-DCKN	20mm							CLM-4-TN	CLM-16-SNWN		
CLM-9-DCK	CLM-9-DCKN	13/16							CLM-5-TN	CL-3-FW		