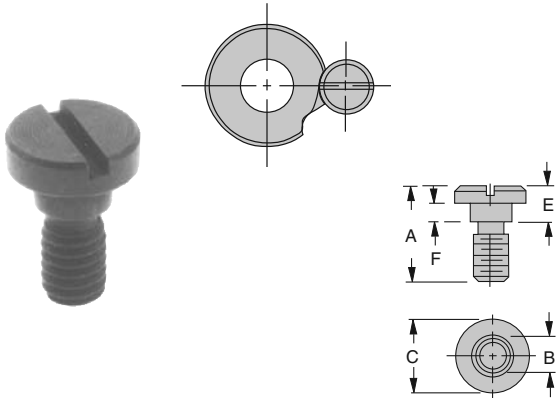


LOCKSCREWS AND CLAMPS

LOCKSCREWS



* For extended-range bushings.

The most popular locking device for renewable drill bushings. Use on either the "slip" or "fixed" side of a slip-fixed bushing. Simple, strong, compact, and economical.

STANDARD MOUNTING (USA)

PART NO.	A	B DIA	C DIA	E	F	THREAD	PRICE (NET)
LS-0	7/16	3/16	5/16	3/16	.105/.100	#8-32	Please see web catalog for pricing
LS-1	5/8	3/8	5/8	1/4	.138/.132	5/16-18	
LS-2	7/8			3/8	.200/.194		
LS-3	1	7/16	3/4	3/8	.200/.194	3/8-16	
LS-4*	1-1/16			7/16	.231/.225		
LS-5*	1-1/8			1/2	.263/.257		

STANDARD MOUNTING — THINWALL (USA)

PART NO.	A	B DIA	C DIA	E	F	THREAD	PRICE (NET)
TW-1	7/16	3/16	5/16	3/16	.105/.100	#8-32	Please see web catalog for pricing
TW-2	1/2	1/4	3/8	1/4	.138/.132	#10-32	
TW-3	11/16			7/16	3/8		
TW-4	7/8	3/8	9/16	1/2	.263/.257	5/16-18	
TW-5	1			5/8	.325/.319		
TW-7	3/4			3/8	.200/.194		

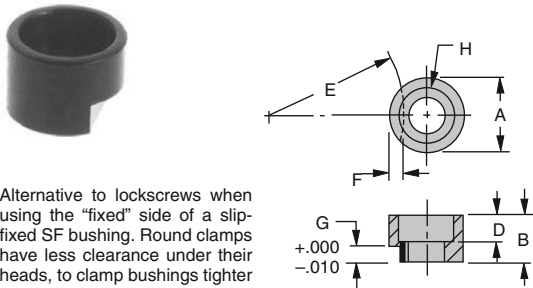
STANDARD MOUNTING (METRIC)

PART NO.	A	B DIA	C DIA	E	F	THREAD	PRICE (NET)
LSM-1	15mm	7.5mm	13mm	6mm	3.3mm	M5	Please see web catalog
LSM-3	18mm	9.5mm	16mm	8mm	4.3mm	M6	
LSM-5	22mm	12mm	20mm	10mm	5.8mm	M8	
LSM-7	32mm	15mm	24mm	12mm	7.3mm	M10	

PROJECTED MOUNTING (METRIC)

PART NO.	A	B DIA	C DIA	E	F	THREAD	PRICE (NET)
LSM-2	18mm	7.5mm	13mm	9mm	6.3mm	M5	Please see web catalog
LSM-4	22mm	9.5mm	16mm	12mm	8.3mm	M6	
LSM-6	27mm	12mm	20mm	15mm	10.8mm	M8	
LSM-8	38mm	15mm	24mm	18mm	13.3mm	M10	

ROUND CLAMPS



Alternative to lock screws when using the "fixed" side of a slip-fixed SF bushing. Round clamps have less clearance under their heads, to clamp bushings tighter (which is why you cannot use them on the bushing's "slip" side). Use them with a socket-head cap screw.

* For extended-range bushings.

STANDARD MOUNTING (USA)

PART NO.	A DIA	B	D	E	F	G	H SOCKET-HEAD CAP SCREW	REPLACES LOCK SCREW	PRICE (NET)
RC-01	5/8	5/16	5/32	17/32	.109	.125	5/16-18	LS-1	Please see web catalog for pricing
RC-02	3/4	7/16	7/32	29/32	.125	.188	3/8-16	LS-2	
RC-03		1/2	9/32	1-13/32	.188			LS-3	
RC-04*	17/32	1/4	2-1/2	.156	.219	.250		LS-4	
RC-05*	9/16							LS-5	

STANDARD MOUNTING (METRIC)

PART NO.	A DIA	B	D	E	F	G	H SOCKET-HEAD CAP SCREW	REPLACES LOCK SCREW	PRICE (NET)
RCM-1	13mm	8mm	4mm	9.5mm	2.8mm	3mm	M5	LSM-1	Please see web catalog
RCM-3	16mm	10mm	5mm	15mm	3.3mm	4mm	M6	LSM-3	
RCM-5	20mm	12mm	5mm	30mm	3.8mm	5.5mm	M8	LSM-5	
RCM-7	24mm	16mm	7mm	80mm	4.5mm	7mm	M10	LSM-7	

PROJECTED MOUNTING (METRIC)

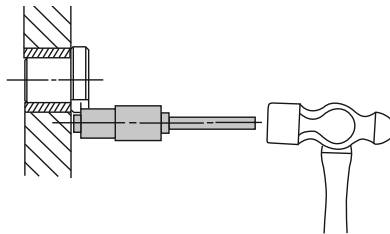
PART NO.	A DIA	B	D	E	F	G	H SOCKET-HEAD CAP SCREW	REPLACES LOCK SCREW	PRICE (NET)
RCM-2	13mm	11mm	4mm	9.5mm	2.8mm	6mm	M5	LSM-2	Please see web catalog
RCM-4	16mm	14mm	5mm	15mm	3.3mm	8mm	M6	LSM-4	
RCM-6	20mm	17mm	5mm	30mm	3.8mm	10.5mm	M8	LSM-6	
RCM-8	24mm	22mm	7mm	80mm	4.5mm	13mm	M10	LSM-8	

LOCKSCREW LOCATING JIG



CL-1-LSLJ

A precision tool for centerpunching lock screw holes. The jig is made in two parts: a reversible centerpunch and an outer body for locating. To use, just insert the bushing and place the locating jig against the lock screw recess. Turn bushing to desired orientation, then tap centerpunch lightly. For installing lock screws LS-1, LS-2, LS-3, LS-4, LS-5, TW-5, and TW-7. Also for installing round clamps RC-01, RC-02, RC-03, RC-04, and RC-05.



MANUFACTURING CO.
4200 Carr Lane Ct., P.O. Box 191970 • St. Louis, Missouri 63119-7970 USA
Phone: 314/647-6200 • Fax: 314/647-5736 • Web Site: www.carrlane.com