

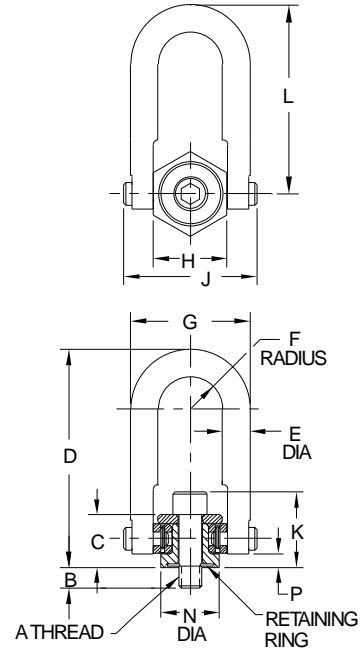
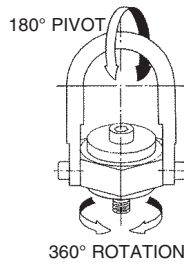
SWIVEL HOIST RINGS

ALLOY STEEL, HEAT TREATED, BLACK OXIDE FINISH, 100% MAGNAFLUX INSPECTED



The original safety-engineered hoist ring. Pivots 180 degrees and swivels 360 degrees simultaneously to allow lifting from any direction. Safety factor = 5:1. Black oxide finish is standard, with cadmium plating available as a special (add -C to part number). Swivel Hoist Rings are also available in 300-series stainless steel, with a load rating equal to 50% of the steel version (**INFO+** see pages 63-64). Patent no. 3,297,293, 4,705,422, and 5,848,815.

Fasten hoist rings using the installation torque specified in the dimension table. Always install so that the hoist ring can pivot and swivel freely. Some hoist rings are available with a choice of bolt lengths. Use the shortest bolt length only for steel plates, the other lengths for weaker materials and for through-hole mounting with a washer and nut. **INFO+** See general Hoist Ring Safety Precautions on page 59.



STANDARD RING (INCH)

PART NO.	LOAD RATING (LBS)	A	B	C	D	E DIA	F	G	H	J	K	L	N DIA	P	INSTALLATION TORQUE (FT-LBS)	REPLACEMENT BOLT (WITH RETAINING RING)
CL-550-SHR-2	550	1/4-20	.54	.71	2.67	3/8	.43	1.61	1.00	1.84	.96	2.31	.75	.17	5	—
CL-800-SHR-1	800	5/16-18	.29	.72	2.63	3/8	.44	1.62	1.00	1.82	1.03	2.35	.75	.17	7	CL-800-SHRB-1
CL-800-SHR-2			.54													CL-800-SHRB-2
CL-1000-SHR-1	1000	3/8-16	.54	.72	2.63	3/8	.44	1.62	1.00	1.82	1.09	2.35	.75	.17	12	CL-1000-SHRB-1
CL-23301-SHR	2500	1/2-13	1.07	.93	3.77	1/2	.70	2.40	1.49	2.58	1.43	3.31	1.25	.20	28	CL-23318-SHRB-1
CL-2500-SHR-1	2500	1/2-13	.77	1.23	4.77	3/4	.88	3.25	2.00	3.52	1.73	4.24	1.50	.16	28	CL-2500-SHRB-1
CL-2500-SHR-2			1.02													CL-2500-SHRB-2
CL-2500-SHR-3			1.27													CL-2500-SHRB-3
CL-4000-SHR-1	4000	5/8-11	.77	1.23	4.77	3/4	.88	3.25	2.00	3.52	1.86	4.24	1.50	.16	60	CL-4000-SHRB-1
CL-4000-SHR-2			1.02													CL-4000-SHRB-2
CL-4000-SHR-3			1.27													CL-4000-SHRB-3
CL-5000-SHR-1	5000	3/4-10	1.02	1.23	4.77	3/4	.88	3.25	2.00	3.52	1.98	4.24	1.50	.16	100	CL-5000-SHRB-1
CL-5000-SHR-2			1.52													CL-5000-SHRB-2
CL-7000-SHR-1	7000	3/4-10	1.03	1.72	6.55	1-1/16	1.40	4.94	3.00	5.06	2.47	5.80	2.37	.24	100	CL-7000-SHRB-1
CL-7000-SHR-2			1.53													CL-7000-SHRB-2
CL-8000-SHR-1	8000	7/8-9	1.03	1.72	6.55	1-1/16	1.40	4.94	3.00	5.06	2.60	5.80	2.37	.24	160	CL-8000-SHRB-1
CL-8000-SHR-2			1.53													CL-8000-SHRB-2
CL-10000-SHR-1	10000	1"-8	1.28	1.72	6.55	1-1/16	1.40	4.94	3.00	5.06	2.72	5.80	2.37	.24	230	CL-10000-SHRB-1
CL-10000-SHR-2			1.53													CL-10000-SHRB-2
CL-10000-SHR-3			2.28													CL-10000-SHRB-3
CL-15000-SHR-1	15000	1-1/4"-7	1.89	2.11	8.73	1-1/4	1.75	6.00	3.76	6.50	3.36	7.75	3.20	.35	470	CL-15000-SHRB-1
CL-24000-SHR-1	24000	1-1/2"-6	2.70	2.81	12.47	1-3/4	2.25	8.00	4.87	8.55	4.36	11.12	4.20	.47	800	CL-24000-SHRB-1
CL-30000-SHR-1	30000	2"-4-1/2	2.96	2.81	12.47	1-3/4	2.25	8.00	4.87	8.55	5.36	11.12	4.20	.47	1100	—
CL-23503-SHR	50000	2-1/2"-4	4.00	4.09	16.87	2-1/4	3.00	10.50	6.52	11.67	6.59	14.50	5.75	1.12	2100	—
CL-23501-SHR		2-1/2"-8														—
CL-23600-SHR	75000	3"-4	5.20	5.20	19.50	2-3/4	3.75	13.00	8.10	14.15	8.27	17.00	7.25	1.00	4300	—
CL-23701-SHR	100000	3-1/2"-4	7.00	7.00	22.09	3-1/4	4.00	14.50	8.60	15.90	9.56	19.25	7.75	1.09	6600	—

SWIVEL HOIST RINGS

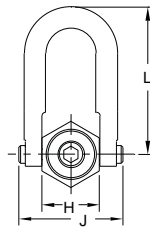
STANDARD RING (METRIC)

PART NO.	LOAD RATING (LBS)	A	B	C	D	E DIA	F	G	H	J	K	L	N DIA	P	INSTALLATION TORQUE (FT-LBS)	REPLACEMENT BOLT WITH (RETAINING RING)
CLM-800-SHR-2	880	M8	.66	.72	2.63	3/8	.44	1.62	1.00	1.82	1.02	2.35	.75	.17	7	CLM-800-SHRB-2
CLM-1000-SHR-1	1000	M10	.66	.72	2.63	3/8	.44	1.62	1.00	1.82	1.10	2.35	.75	.17	12	CLM-1000-SHRB-1
CLM-2500-SHR-1	2300	M12	.74	1.23	4.77	3/4	.88	3.25	2.00	3.52	1.70	4.24	1.50	.16	27	CLM-2500-SHRB-1
CLM-4000-SHR-2	4000	M16	1.13	1.23	4.77	3/4	.88	3.25	2.00	3.52	1.86	4.24	1.50	.16	59	CLM-4000-SHRB-2
CLM-24020-SHR	4800	M20	1.18	1.23	4.77	3/4	.88	3.25	2.00	3.52	2.01	4.25	1.50	.16	100	CLM-24220-SHRB
CLM-7000-SHR-2	6600	M20	1.26	1.72	6.55	1-1/16	1.40	4.94	3.00	5.06	2.51	5.80	2.31	.24	100	CLM-7000-SHRB-2
CLM-9000-SHR-2	9200	M24	1.46	1.72	6.55	1-1/16	1.40	4.94	3.00	5.06	2.66	5.80	2.31	.24	159	CLM-9000-SHRB-2
CLM-10000-SHR-1	10000	M30	2.12	1.71	6.52	1	1.40	4.80	3.00	5.14	2.72	5.80	2.31	.24	230	CLM-24230-SHRB
CLM-15000-SHR-1	15000	M30	1.81	2.11	8.73	1-1/4	1.75	6.00	3.76	6.50	3.36	7.75	3.20	.35	470	CLM-24421-SHRB
CLM-24042-SHR			CLM-24433-SHRB													
CLM-24000-SHR-1	24000	M36	2.72	2.81	12.47	1-3/4	2.25	8.00	4.87	8.55	4.36	11.12	4.20	.47	800	CLM-24223-SHRB
CLM-27000-SHR-1	27000	M42	3.11	2.81	12.47	1-3/4	2.25	8.00	4.87	8.55	4.86	11.12	4.20	.47	800	CLM-24232-SHRB
CLM-30000-SHR-1	30000	M48	3.11	2.81	12.47	1-3/4	2.25	8.00	4.87	8.55	5.36	11.12	4.20	.47	800	CLM-24225-SHRB
CLM-24060-SHR	48000	M64	4.02	4.09	16.87	2-1/4	3.00	10.50	6.52	11.67	6.61	14.50	5.75	1.12	2100	CLM-24527-SHRB
CLM-24062-SHR	69000	M72	5.20	5.27	19.50	2-3/4	3.75	13.00	8.10	14.50	8.27	17.00	7.25	1.00	4200	CLM-24627-SHRB
CLM-24064-SHR	110000	M90	7.01	6.06	22.09	3-1/4	4.00	14.50	8.60	15.90	9.56	19.25	7.75	1.09	7100	CLM-24727-SHRB

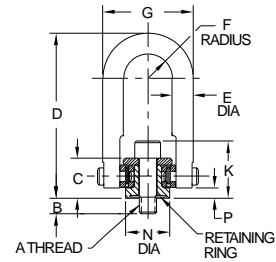


Optional Long-Ring Version

Long-ring version provides extra reach and allows using larger lifting hooks.



LONG RING (INCH)



PART NO.	LOAD RATING (LBS)	A	B	C	D	E DIA	F	G	H	J	K	L	N DIA	P	INSTALLATION TORQUE (FT-LBS)	REPLACEMENT BOLT WITH (RETAINING RING)
CL-23322-SHR	2500	1/2-13	.78	1.22	6.72	3/4	.88	3.25	1.99	3.52	1.72	6.19	1.50	.16	28	CL-23024-SHRB
CL-23323-SHR			1.03													CL-23025-SHRB
CL-23324-SHR			1.28													CL-23026-SHRB
CL-23320-SHR			1.03													CL-23022-SHRB
CL-23321-SHR	4000	5/8-11	1.28	1.22	6.72	3/4	.88	3.25	1.99	3.52	1.85	6.19	1.50	.16	60	CL-23023-SHRB
CL-23325-SHR			1.03													CL-23027-SHRB
CL-23327-SHR			1.53													CL-23029-SHRB
CL-23329-SHR			1.04													CL-23122-SHRB
CL-23330-SHR	7000	3/4-10	1.54	1.71	8.11	1	1.40	4.80	3.00	5.14	2.46	7.38	2.37	.24	100	CL-23123-SHRB
CL-23328-SHR			1.04													CL-23028-SHRB
CL-23331-SHR			1.29													CL-23125-SHRB
CL-23332-SHR			1.54													CL-23126-SHRB
CL-23333-SHR	10000	1"-8	2.29	1.71	8.11	1	1.40	4.80	3.00	5.14	2.71	7.38	2.37	.24	230	CL-23127-SHRB

LONG RING (METRIC)

CLM-24014-SHR	2300	M12	.75	1.22	6.72	3/4	.88	3.25	1.99	3.52	1.69	6.19	1.50	.16	27	CLM-24212-SHRB
CLM-24018-SHR	4000	M16	.94	1.22	6.72	3/4	.88	3.25	1.99	3.52	1.85	6.19	1.50	.16	59	CLM-24216-SHRB
CLM-24021-SHR	4800	M20	1.18	1.22	6.72	3/4	.88	3.25	1.99	3.52	2.01	6.19	1.50	.16	100	CLM-24220-SHRB
CLM-24023-SHR	6600	M20	1.14	1.71	8.11	1	1.40	4.80	3.00	5.14	2.50	7.38	2.37	.24	100	CLM-24222-SHRB
CLM-24026-SHR	9200	M24	1.34	1.71	8.11	1	1.40	4.80	3.00	5.14	2.65	7.38	2.37	.24	230	CLM-24224-SHRB
CLM-24032-SHR	10000	M30	2.13	1.71	8.11	1	1.40	4.80	3.00	5.14	2.89	7.38	2.37	.24	230	CLM-24230-SHRB

STAINLESS SWIVEL HOIST RINGS

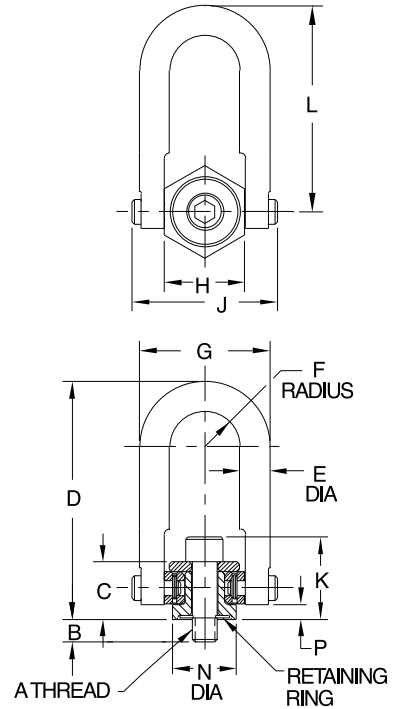
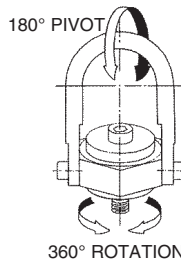
300-SERIES STAINLESS STEEL, PASSIVATED, 100% LIQUID-PENETRANT INSPECTED



Stainless Steel

Stainless steel version of our original safety-engineered hoist ring, with a load rating equal to 50% of the alloy steel version. Useful for corrosive, cryogenic, or elevated-temperature environments. Pivots 180 degrees and swivels 360 degrees simultaneously to allow lifting from any direction. Safety factor = 5:1. Patent no. 3,297,293, 4,705,422, and 5,848,815.

Fasten hoist rings using the installation torque specified in the dimension table. Always install so that the hoist ring can pivot and swivel freely. Some hoist rings are available with a choice of bolt lengths. Use the shortest bolt length only for steel plates, the other lengths for weaker materials and for through-hole mounting with a washer and nut. **INFO+**: See general Hoist Ring Safety Precautions on page 59.



STANDARD RING — STAINLESS STEEL (INCH)

PART NO.	LOAD RATING (LBS)	A	B	C	D	E DIA	F	G	H	J	K	L	N DIA	P	INSTALLTION TORQUE (FT-LBS)
CL-275-SHR-1-S	275	1/4-20	.54	.71	2.67	3/8	.43	1.61	1.00	1.84	.96	2.31	.75	.17	2.5
CL-400-SHR-1-S	400	5/16-18	.29	.71	2.67	3/8	.43	1.61	1.00	1.84	.96	2.31	.75	.17	3.5
CL-400-SHR-2-S			.54												
CL-500-SHR-1-S	500	3/8-16	.54	.71	2.67	3/8	.43	1.61	1.00	1.84	1.09	2.31	.75	.17	6
CL-29301-SHR-S	1250	1/2-13	1.07	.93	3.77	1/2	.70	2.40	1.49	2.58	1.43	3.31	1.25	.20	4
CL-1250-SHR-1-S			.78												
CL-1250-SHR-2-S	1250	1/2-13	1.03	1.22	4.78	3/4	.88	3.25	1.99	3.52	1.72	4.25	1.50	.16	14
CL-1250-SHR-3-S			1.28												
CL-2000-SHR-1-S			.78												
CL-2000-SHR-2-S	2000	5/8-11	1.03	1.22	4.78	3/4	.88	3.25	1.99	3.52	1.85	4.25	1.50	.16	30
CL-2000-SHR-1-S			.78												
CL-2000-SHR-3-S			1.28												
CL-2500-SHR-1-S	2500	3/4-10	1.03	1.22	4.78	3/4	.88	3.25	1.99	3.52	1.97	4.25	1.50	.16	50
CL-2500-SHR-2-S			1.53												
CL-29102-SHR-S	3500	3/4-10	1.04	1.71	6.52	1	1.40	4.80	3.00	5.14	2.46	5.78	2.37	.24	50
CL-29103-SHR-S			1.54												
CL-29101-SHR-S	4000	7/8-9	1.04	1.71	6.52	1	1.40	4.80	3.00	5.14	2.59	5.78	2.37	.24	80
CL-29105-SHR-S			1.29												
CL-29106-SHR-S	5000	1"-8	1.54	1.71	6.52	1	1.40	4.80	3.00	5.14	2.71	5.78	2.37	.24	115
CL-29107-SHR-S			2.29												
CL-29401-SHR-S	7500	1-1/4"-7	1.89	2.11	8.73	1-1/4	1.75	6.00	3.76	6.50	3.36	7.75	3.20	.35	235
CL-29202-SHR-S	12000	1-1/2"-6	2.70	2.81	12.47	1-3/4	2.25	8.00	4.87	8.55	4.31	11.12	4.20	.47	400
CL-29200-SHR-S	15000	2"-4-1/2	2.96	2.81	12.47	1-3/4	2.25	8.00	4.87	8.55	5.31	11.12	4.20	.47	550
CL-29503-SHR-S			4.00												
CL-29501-SHR-S	25000	2-1/2"-4	4.00	4.09	16.87	2-1/4	3.00	10.50	6.52	11.67	6.59	14.50	5.75	1.12	1050
CL-29501-SHR-S			2-1/2"-8												
CL-29600-SHR-S	37500	3"-4	5.20	5.27	19.50	2-3/4	3.75	13.00	8.10	14.15	8.27	17.00	7.25	1.00	2150
CL-29701-SHR-S	50000	3-1/2"-4	7.00	6.06	22.09	3-1/4	4.00	14.50	8.60	15.90	9.56	19.25	7.75	1.09	3300

STAINLESS SWIVEL HOIST RINGS

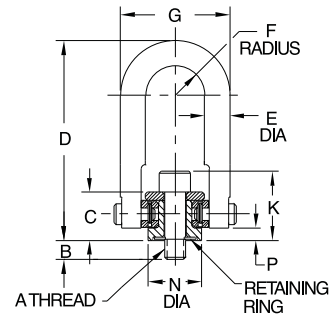
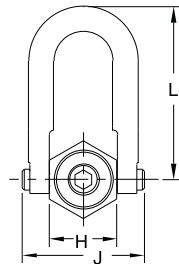
STANDARD RING — STAINLESS STEEL (METRIC)

PART NO.	LOAD RATING (LBS)	A	B	C	D	E DIA.	F	G	H	J	K	L	N DIA.	P	INSTALLATION TORQUE (FT-LBS)
CLM-440-SHR-2-S	440	M8	.67	.71	2.67	3/8	.43	1.61	1.00	1.84	1.03	2.31	.75	.17	3.5
CLM-500-SHR-1-S	500	M10	.67	.71	2.67	3/8	.43	1.61	1.00	1.84	1.11	2.31	.75	.17	6
CLM-1150-SHR-1-S	1150	M12	.75	1.22	4.78	3/4	.88	3.25	2.00	3.52	1.69	4.25	1.50	.16	14
CLM-2000-SHR-2-S	2000	M16	.94	1.22	4.78	3/4	.88	3.25	2.00	3.52	1.85	4.25	1.50	.16	30
CLM-2400-SHR-2-S	2400	M20	1.18	1.22	4.78	3/4	.88	3.25	2.00	3.52	2.01	4.25	1.50	.16	50
CLM-29822-SHR-S	3300	M20	1.14	1.71	6.53	1	1.40	4.77	3.00	5.14	2.50	5.78	2.31	.24	50
CLM-29824-SHR-S	4600	M24	1.34	1.71	6.53	1	1.40	4.77	3.00	5.14	2.65	5.78	2.31	.24	115
CLM-29830-SHR-S	5000	M30	2.13	1.71	6.53	1	1.40	4.77	3.00	5.14	2.89	5.78	2.31	.24	115
CLM-29840-SHR-S	7500	M30	1.81	2.11	8.73	1.25	1.75	6.00	3.76	6.50	3.29	7.75	3.20	.35	235
CLM-29842-SHR-S			2.60												
CLM-29850-SHR-S	12000	M36	2.72	2.81	12.47	1.75	2.25	8.00	4.87	8.55	4.23	11.12	4.20	.47	400
CLM-29852-SHR-S	13500	M42	3.11	2.81	12.47	1.75	2.25	8.00	4.87	8.55	4.46	11.12	4.20	.47	400
CLM-29854-SHR-S	15000	M48	3.11	2.81	12.47	1.75	2.25	8.00	4.87	8.55	4.70	11.12	4.20	.47	400
CLM-29860-SHR-S	24000	M64	4.02	4.09	16.87	2.25	3.00	10.50	6.52	11.67	6.61	14.50	5.75	1.12	1050



Optional Long-Ring Version

Long-ring version provides extra reach and allows using larger lifting hooks.



LONG RING — STAINLESS STEEL (INCH)

PART NO.	LOAD RATING (LBS)	A	B	C	D	E DIA	F	G	H	J	K	L	N DIA	P	INSTALLATION TORQUE (FT-LBS)
CL-29322-SHR-S	1250	1/2-13	.78	1.22	6.72	3/4	.88	3.25	1.99	3.52	1.72	6.19	1.50	.16	14
CL-29323-SHR-S			1.03												
CL-29324-SHR-S			1.28												
CL-29320-SHR-S	2000	5/8-11	1.03	1.22	6.72	3/4	.88	3.25	1.99	3.52	1.85	6.19	1.50	.16	30
CL-29321-SHR-S			1.28												
CL-29325-SHR-S	2500	3/4-10	1.03	1.22	6.72	3/4	.88	3.25	1.99	3.52	1.97	6.19	1.50	.16	50
CL-29327-SHR-S			1.53												
CL-29329-SHR-S	3500	3/4-10	1.04	1.71	8.11	1	1.40	4.80	3.00	5.14	2.46	7.38	2.37	.24	50
CL-29330-SHR-S			1.54												
CL-29328-SHR-S	4000	7/8-9	1.04	1.71	8.11	1	1.40	4.80	3.00	5.14	2.59	7.38	2.37	.24	80
CL-29331-SHR-S	5000	1"-8	1.29	1.71	8.11	1	1.40	4.80	3.00	5.14	2.71	7.38	2.37	.24	115
CL-29332-SHR-S			1.54												
CL-29333-SHR-S			2.29												

LONG RING — STAINLESS STEEL (METRIC)

CLM-29814-SHR-S	1150	M12	.75	1.22	6.72	3/4	.88	3.25	1.99	3.52	1.69	6.19	1.50	.16	14
CLM-29818-SHR-S	2000	M16	.94	1.22	6.72	3/4	.88	3.25	1.99	3.52	1.85	6.19	1.50	.16	30
CLM-29821-SHR-S	2400	M20	1.18	1.22	6.72	3/4	.88	3.25	1.99	3.52	2.01	6.19	1.50	.16	50
CLM-29823-SHR-S	3300	M20	1.14	1.71	8.11	1	1.40	4.80	3.00	5.14	2.50	7.38	2.37	.24	50
CLM-29826-SHR-S	4600	M24	1.34	1.71	8.11	1	1.40	4.80	3.00	5.14	2.65	7.38	2.37	.24	115
Please contact factory	5000	M30	2.13	1.71	8.11	1	1.40	4.80	3.00	5.14	2.89	7.38	2.37	.24	235