

## TJ Series, POW'R-CLAW Hydraulic Track Jacks **ENERPAC**

POWERFUL SOLUTIONS. GLOBAL FORCE.

▼ Shown: TJ109LS, TJ109S, TJ109B



### POW'R-CLAW Track Jacks Provide Fast, Safe Lifting

- Exclusive overload protection from load shifts
- Solid cast base provides more surface contact area, and a large grooved toe provides stable jacking
- Inverted hard chrome piston design keeps water and dirt out, extending the life of the jack
- Low handle effort allows one-man operation for lifting heavy loads
- Anti-kickback design reduces risk of injury to operator if load is inadvertently released
- All models can lift from toe or cap, ideal for spreading and jacking applications

▼ The reservoir design on Model TJ109LS allows vertical or horizontal operation for use as lifter or spreader.



Ideal for tough lifting applications; such as frogs, turn-outs, diamonds and concrete tie sections.



The **TJ109B** Bridge and Trestle Jack easily fits between double set ties. The short lever bar and low handle effort greatly reduce the risks associated with jacking from bridges and trestles. Swivel load cap allows the use of chain.



#### Inverted Design

Keeps water and dirt out of the jack, increasing performance and life cycle. Allows lifting from toe or cap.



#### Versatile Handle Design

Model **TJ109LS** features a pistol-grip handle for balanced carrying and fast setup.

## POW'R-CLAW Hydraulic Track Jacks

▼ Model TJ109S is shown lifting a rail maintenance car.



**TJ**  
Series

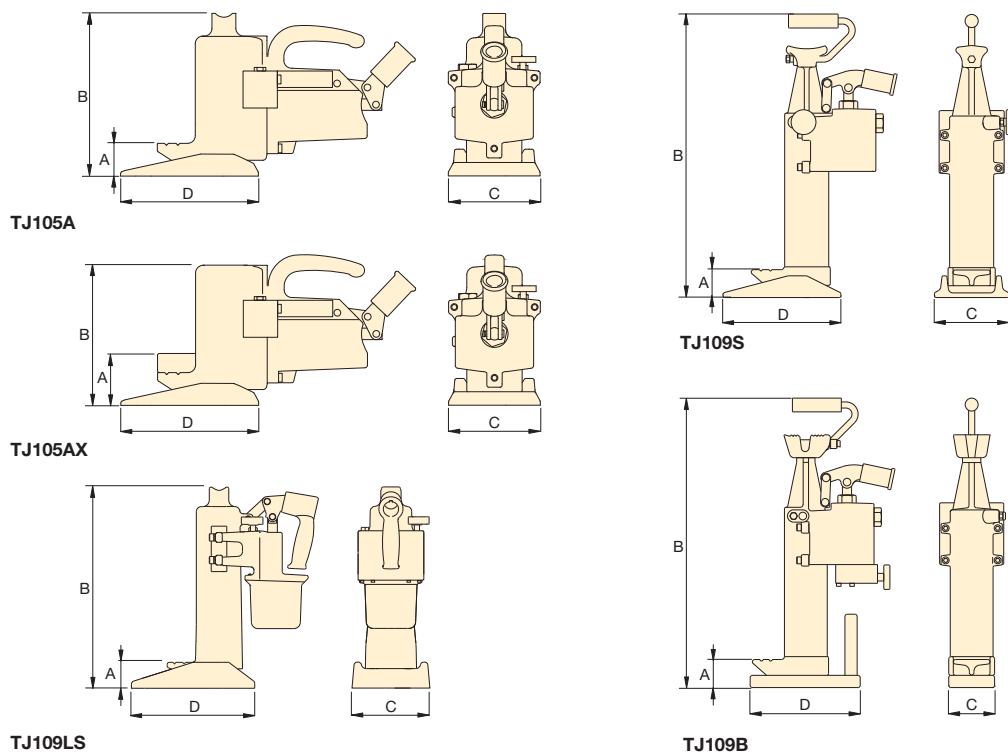


Rated Capacity per Jack:

**93,3 kN (10 tons)**

Stroke:

**127,0-228,6 mm**



| Capacity  | Stroke | Model No. | Minimum Height |            | Base Area |        | Maximum Handle Effort | Weight |
|-----------|--------|-----------|----------------|------------|-----------|--------|-----------------------|--------|
|           |        |           | Toe A (mm)     | Cap B (mm) | C (mm)    | D (mm) |                       |        |
| 93,3 (10) | 127,0  | TJ105A    | 50,8           | 281,9      | 152,4     | 228,6  | 40,9                  | 16,8   |
| 93,3 (10) | 127,0  | TJ105AX   | 83,8           | 231,1      | 152,4     | 228,6  | 40,9                  | 17,7   |
| 93,3 (10) | 228,6  | TJ109LS   | 50,8           | 393,7      | 152,4     | 241,3  | 40,9                  | 18,6   |
| 93,3 (10) | 228,6  | TJ109S    | 57,1           | 515,6      | 152,4     | 228,6  | 40,9                  | 26,4   |
| 93,3 (10) | 228,6  | TJ109B    | 57,1           | 515,6      | 95,2      | 228,6  | 40,9                  | 24,5   |