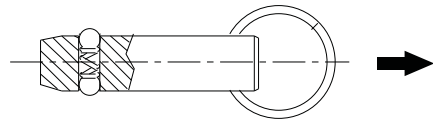


MARINE DETENT PINS

SHANK: 316 STAINLESS STEEL
RING: 316 OR 300-SERIES STAINLESS STEEL
SPRING & BALLS: 316 STAINLESS STEEL



Marine Detent pins are made of 316 stainless steel for extra corrosion resistance. Economical shear pin, without a head for applications where exact grip length is not important. Solid alignment pins with spring-loaded locking balls (not positive locking like a ball lock pin). Simply push pin to insert, and pull to remove. Shank diameters from 3/16" to 1/2", each available in a choice of several standard grip lengths. Note: 3/16-diameter pins have one ball, instead of two, due to their small size. Available from stock only in the standard grip lengths listed below (other grip lengths available as specials).

Optional Cable

The optional attached Cable Assembly (-C) is 12" long (part no. CL-82-KA-12.0 if ordered separately), while the optional attached Nylon Lanyard (-NL) is 10" long (part no. CL-1-NL-10 if ordered separately). Both have an eyelet at the free end for a #10 or M5 attachment screw.

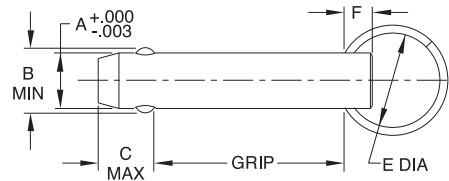
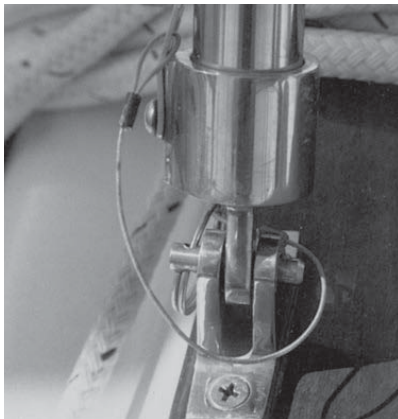
Ordering Example (USA):

CL - 4 - MDP - 1.50 - S - C

Diameter (16ths of an inch)

Grip length (inches)

Add -C for attached cable assembly
or -NL for attached Nylon Lanyard



DIMENSIONS (USA)

PART NO.	A DIA		B	C	E DIA	F DIA
	NOMINAL	ACTUAL				
CL-3-MDP-x.xx-S	3/16 (#10)	.1880	.200	.329	1.00	.25
CL-4-MDP-x.xx-S	1/4	.2480	.280	.344		
CL-5-MDP-x.xx-S	5/16	.3105	.360	.359		
CL-6-MDP-x.xx-S	3/8	.3730	.430	.390		
CL-8-MDP-x.xx-S	1/2	.4980	.570	.516		

STANDARD STOCK GRIP LENGTHS (USA)

PART NO.	NOMINAL SHANK DIA	GRIP LENGTH (INCHES)											
		0.50	0.75	1.00	1.25	1.50	1.75	2.00	2.25	2.50	3.00	3.50	4.00
CL-3-MDP-x.xx-S	3/16 (#10)	X	X	X	X	X	X	X	X	X			
CL-4-MDP-x.xx-S	1/4	X	X	X	X	X	X	X	X	X	X		
CL-5-MDP-x.xx-S	5/16		X	X	X	X	X	X	X	X	X	X	
CL-6-MDP-x.xx-S	3/8		X	X	X	X	X	X	X	X	X	X	X
CL-8-MDP-x.xx-S	1/2			X	X	X	X	X	X	X	X	X	X

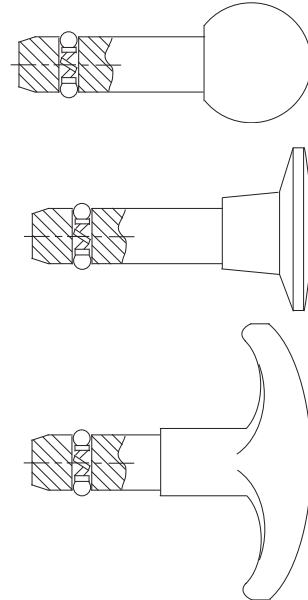
X-Stocked in stainless steel.

THREADED DETENT PINS

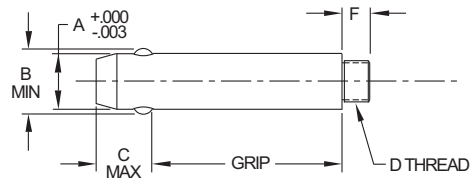
SHANK: 300-SERIES STAINLESS STEEL
SPRING: 17-7PH OR 302 STAINLESS STEEL
BALLS: 440C STAINLESS STEEL



Threaded Detent Pins are solid alignment pins with a ground shank and a threaded end for a knob handle. Two locking balls hold the pin in place by spring force. Simply push to insert, and pull to remove. The threaded end accepts virtually any type of knob handle (order separately — available in steel, stainless steel, and several different plastics). Knob handles can be permanently secured with thread-locking adhesive if desired. Threaded Detent Pins are available in stainless steel only. Standard shank diameters from 3/16 to 1/2" (6 to 10mm in metric), each in a choice of many standard grip lengths. Note: 3/16-diameter pins have only one locking ball instead of two due to their small size. Available from stock only in the standard grip lengths listed (other grip lengths available as specials).



For a wide selection of knob handles to fit these Threaded Detent Pins, see pages 134-141.



USA

PART NO.	A DIA		GRIP LENGTH	B	C	D	F
	NOMINAL	ACTUAL					
CL-3-TDP-0.50-S	3/16(#10)	.1880	.50	.200	.250	#8-32	1/4
CL-3-TDP-0.75-S			.75				
CL-3-TDP-1.00-S			1.00				
CL-3-TDP-1.25-S			1.25				
CL-3-TDP-1.50-S			1.50				
CL-3-TDP-1.75-S			1.75				
CL-3-TDP-2.00-S	2.00						
CL-4-TDP-0.50-S	1/4	.2480	.50	.280	.344	#10-32	1/4
CL-4-TDP-0.75-S			.75				
CL-4-TDP-1.00-S			1.00				
CL-4-TDP-1.25-S			1.25				
CL-4-TDP-1.50-S			1.50				
CL-4-TDP-1.75-S			1.75				
CL-4-TDP-2.00-S	2.00						
CL-4-TDP-2.50-S	2.50						
CL-4-TDP-3.00-S	3.00						
CL-5-TDP-0.75-S	5/16	.3105	.75	.360	.359	1/4-20	3/8
CL-5-TDP-1.00-S			1.00				
CL-5-TDP-1.25-S			1.25				
CL-5-TDP-1.50-S			1.50				
CL-5-TDP-1.75-S			1.75				
CL-5-TDP-2.00-S			2.00				
CL-5-TDP-2.50-S	2.50						
CL-5-TDP-3.00-S	3.00						
CL-6-TDP-0.75-S	3/8	.3730	.75	.430	.390	1/4-20	3/8
CL-6-TDP-1.00-S			1.00				
CL-6-TDP-1.25-S			1.25				
CL-6-TDP-1.50-S			1.50				
CL-6-TDP-1.75-S			1.75				
CL-6-TDP-2.00-S			2.00				
CL-6-TDP-2.50-S	2.50						
CL-6-TDP-3.00-S	3.00						
CL-6-TDP-3.50-S	3.50						
CL-6-TDP-4.00-S	4.00						
CL-8-TDP-1.00-S	1/2	.4980	1.00	.570	.516	3/8-16	1/2
CL-8-TDP-1.50-S			1.50				
CL-8-TDP-2.00-S			2.00				
CL-8-TDP-2.50-S			2.50				
CL-8-TDP-3.00-S			3.00				
CL-8-TDP-3.50-S			3.50				
CL-8-TDP-4.00-S	4.00						

METRIC

PART NO.	A DIA		GRIP LENGTH	B	C	D	F
	NOMINAL	ACTUAL					
CLM-6-TDP-15-S	6mm	.2342	15mm	.266	.344	M5	.24
CLM-6-TDP-20-S			20mm				
CLM-6-TDP-25-S			25mm				
CLM-6-TDP-30-S			30mm				
CLM-6-TDP-40-S			40mm				
CLM-6-TDP-50-S			50mm				
CLM-8-TDP-20-S	8mm	.3130	20mm	.363	.359	M6	.39
CLM-8-TDP-25-S			25mm				
CLM-8-TDP-30-S			30mm				
CLM-8-TDP-40-S			40mm				
CLM-8-TDP-50-S	50mm						
CLM-10-TDP-20-S	10mm	.3917	20mm	.451	.390	M8	.39
CLM-10-TDP-25-S			25mm				
CLM-10-TDP-30-S			30mm				
CLM-10-TDP-40-S			40mm				
CLM-10-TDP-50-S	50mm						