

Electric Drives
and Controls

Hydraulics

Linear Motion and
Assembly Technologies

Pneumatics

Service

Rexroth
Bosch Group

Subplate size 6 with porting pattern according to DIN 24340 form A and ISO 4401 and CETOP-RP 121 H

RE 45052/02.11
Replaces: 01.03

1/4

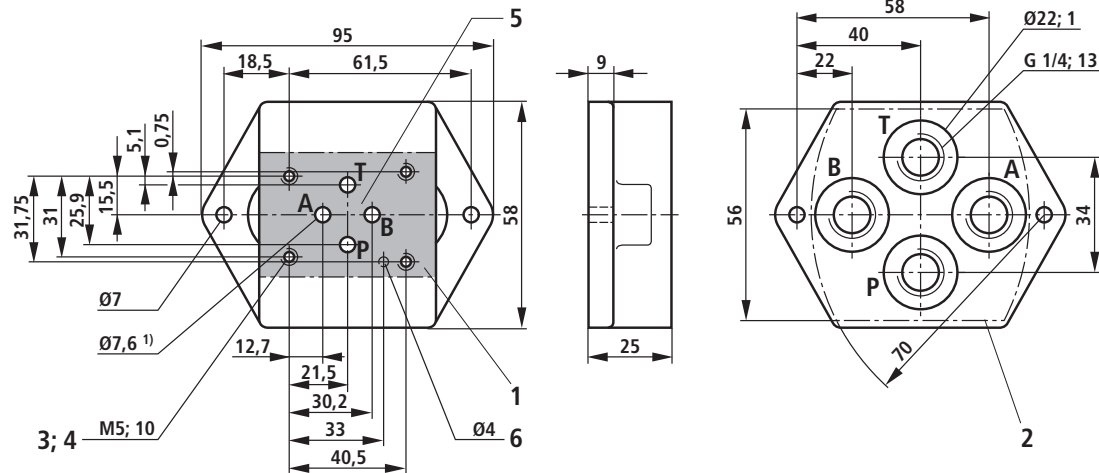
Maximum operating pressure 350 bar
Size 6

Table of contents

Contents	Page
Type G 341/01, G341/60 (G1/4)	2
Type G 342/01, G 342/60 (G3/8)	2
Type G 502/01, G 502/60 (G1/2)	3

Type G 341/01, G341/60 (G1/4) (nominal dimensions in mm)

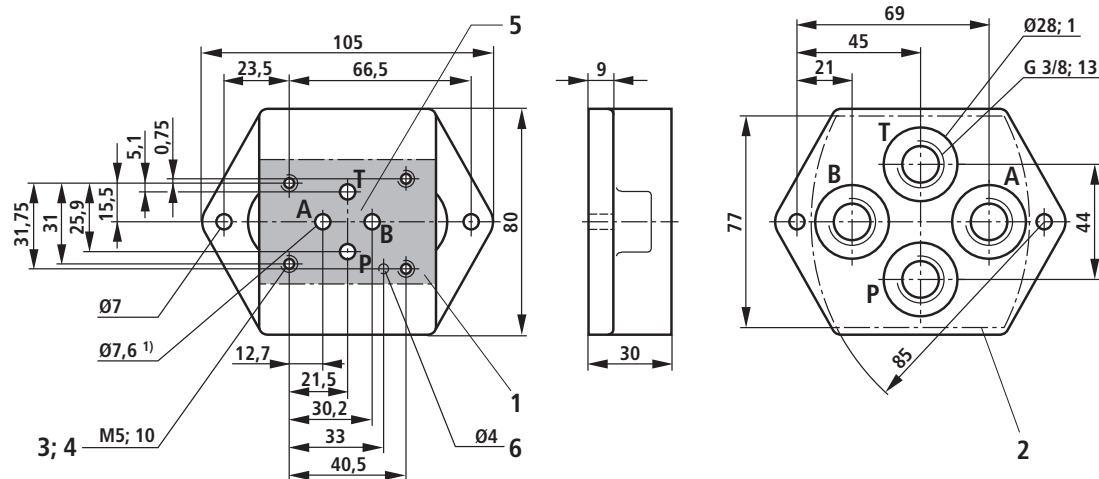
Item explanation see page 3



Type	Material no.	Weight in kg
G 341/01	R900424447	0.6

Type G 342/01, G 342/60 (G3/8) (nominal dimensions in mm)

Item explanation see page 3



Type	Material no.	Weight in kg
G 342/01	R900424448	1.1

Notes

© This document, as well as the data, specifications and other information set forth in it, are the exclusive property of Bosch Rexroth AG. It may not be reproduced or given to third parties without its consent. The data specified above only serve to describe the product. No statements concerning a certain condition or suitability for a certain application can be derived from our information. The information given does not release the user from the obligation of own judgment and verification. It must be remembered that our products are subject to a natural process of wear and aging.