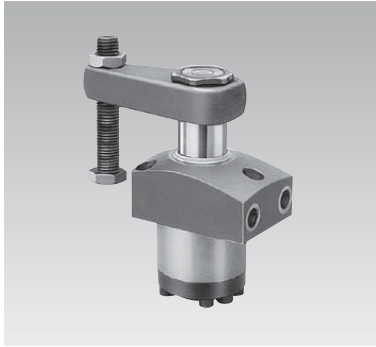




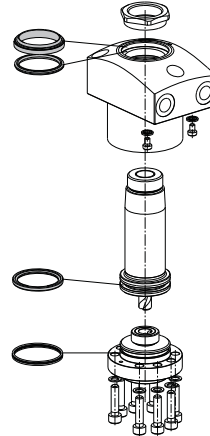
Seal Kits

Assignment of seal kits to hydraulic elements



Example:
Swing clamp
Part-no. 1895-103

corresponding seal kit
Part-no. 0131-840



D = type of seal kit:
S = standard; A = seal kit for external seals (is included in standard)

Part-no.	Sheet	Seal kit	D	Part-no.	Sheet	Seal kit	D	Part-no.	Sheet	Seal kit	D	Part-no.	Sheet	Seal kit	D
0353-341	B1.8267	0132-587	S	1287-0X5	B1.2811	0132-294	S	1433-001	B1.4301	0131-763	S	1513-0X5	B1.5091	0131-133	S
0353-342	B1.8267	0132-588	S	1288-0X5	B1.2811	0132-295	S	1434-001	B1.4301	0132-319	S	1513-0X5B/S	B1.5091	0131-192	S
0353-343	B1.8267	0132-589	S	1293-10XXXX	B1.282	0131-963	S	1450-000	B1.450	0131-091	S	1513-0X6	B1.5091	0131-433	S
0353-344	B1.8267	0132-590	S	1293-11XXXX	B1.282	0131-964	S	1451-000	B1.450	0131-092	S	1513-0X6B/S	B1.5091	0131-455	S
0353-345	B1.8267	0132-590	S	1293-12XXXX	B1.282	0131-963	S	1453-000	B1.450	0131-093	S	1514-1X0	B1.5091	0131-135	S
0460-637	F9.430	0131-398	S	1293-13XXXX	B1.282	0131-964	S	1454-000	B1.450	0132-319	S	1514-1X0K/L	B1.5091	0131-193	S
0460-638	F9.430	0131-398	S	1294-10XXXX	B1.282	0131-965	S	1458-0X1	B1.458	0131-101	S	1514-1X1	B1.5091	0131-434	S
0460-654	F9.430	0131-994	S	1294-11XXXX	B1.282	0131-966	S	1458-0X2	B1.458	0131-101	S	1514-1X1K/L	B1.5091	0131-456	S
0460-655	F9.430	0131-995	S	1294-12XXXX	B1.282	0131-965	S	1458-1X1	B1.458	0131-095	S	1514-1X5	B1.5091	0131-135	S
0460-656	F9.428	0131-691	S	1294-13XXXX	B1.282	0131-966	S	1458-1X2	B1.458	0131-095	S	1514-1X5B/S	B1.5091	0131-193	S
0460-659	F9.428	0131-691	S	1295-10XXXX	B1.282	0131-967	S	1459-0X1	B1.459	0131-103	S	1514-1X6	B1.5091	0131-434	S
0460-666	F9.426	0131-389	S	1295-11XXXX	B1.282	0131-968	S	1459-1X1	B1.459	0131-096	S	1514-1X6B/S	B1.5091	0131-456	S
0460-667	F9.426	0131-512	S	1295-12XXXX	B1.282	0131-967	S	1460-0X0	B1.460	0131-111	S	1515-0X0	B1.5091	0131-137	S
0460-682	F9.428	0131-398	S	1295-13XXXX	B1.282	0131-968	S	1460-1XX	B1.461	0131-104	S	1515-0X0K/L	B1.5091	0131-194	S
0460-691	F9.428	0131-398	S	1296-10XXXX	B1.282	0131-969	S	1461-0XX	B1.460	0131-113	S	1515-0X1	B1.5091	0131-435	S
0460-692	F9.428	0131-398	S	1296-11XXXX	B1.282	0131-970	S	1461-1XX	B1.461	0131-105	S	1515-0X1K/L	B1.5091	0131-457	S
0460-703	F9.428	0131-398	S	1296-12XXXX	B1.282	0131-969	S	1462-0XX	B1.460	0131-115	S	1515-0X5	B1.5091	0131-137	S
0460-711	F9.428	0132-119	S	1296-13XXXX	B1.282	0131-970	S	1462-1XX	B1.461	0131-106	S	1515-0X5B/S	B1.5091	0131-194	S
0460-712	F9.428	0132-119	S	1297-10XXXX	B1.282	0131-971	S	1462-610	B1.464	0132-057	S	1515-0X6	B1.5091	0131-435	S
0460-713	F9.428	0132-120	S	1297-11XXXX	B1.282	0131-972	S	1462-610	B1.464	0132-105	A	1515-0X6B/S	B1.5091	0131-457	S
0460-714	F9.428	0132-120	S	1297-12XXXX	B1.282	0131-971	S	1462-847	B1.711	0132-514	S	1516-0X0	B1.5091	0131-139	S
0460-725	F9.430	0131-774	S	1297-13XXXX	B1.282	0131-972	S	1463-0XX	B1.460	0131-117	S	1516-0X0K/L	B1.5091	0132-683	S
0460-727	F9.430	0131-398	S	1298-10XXXX	B1.282	0131-973	S	1463-1XX	B1.461	0131-107	S	1516-0X1	B1.5091	0131-436	S
0460-728	F9.430	0131-398	S	1298-11XXXX	B1.282	0131-974	S	1463-610	B1.464	0132-058	S	1516-0X1K/L	B1.5091	0132-687	S
0460-729	F9.428	0131-398	S	1298-12XXXX	B1.282	0131-973	S	1463-610	B1.464	0132-106	A	1516-0X5	B1.5091	0131-139	S
0460-730	F9.430	0131-774	S	1298-13XXXX	B1.282	0131-974	S	1464-0XX	B1.460	0131-119	S	1516-0X5B/S	B1.5091	0132-683	S
0460-731	F9.430	0131-398	S	1309-020	B1.310	0131-051	S	1464-1XX	B1.461	0131-108	S	1516-0X6	B1.5091	0131-436	S
0460-735	F9.430	0131-691	S	1311-XX5	B1.309	0131-131	S	1464-610	B1.464	0132-059	S	1516-0X6B/S	B1.5091	0132-687	S
0460-736	F9.430	0131-691	S	1311-XX6	B1.309	0131-432	S	1464-610	B1.464	0132-107	A	1517-0X0	B1.5091	0131-141	S
0460-740	F9.430	0131-398	S	1313-020	B1.310	0131-052	S	1471-001	B1.470	0131-471	S	1517-0X0K/L	B1.5091	0131-196	S
0460-743	F9.428	0131-398	S	1313-0X5	B1.309	0131-133	S	1471-001	B1.470	0131-531	A	1517-0X1	B1.5091	0131-437	S
0460-751	F9.428	0132-372	S	1313-0X6	B1.309	0131-433	S	1471-011	B1.470	0131-571	S	1517-0X1K/L	B1.5091	0131-459	S
0460-763	F9.430	0131-691	S	1314-1X5	B1.309	0131-135	S	1471-011	B1.470	0131-785	A	1517-0X5	B1.5091	0131-141	S
0460-771	F9.428	0132-119	S	1314-1X6	B1.309	0131-434	S	1472-001	B1.470	0131-472	S	1517-0X5B/S	B1.5091	0131-196	S
0460-772	F9.428	0132-120	S	1315-020	B1.310	0131-053	S	1472-001	B1.470	0131-532	A	1517-0X6	B1.5091	0131-437	S
0460-776	F9.428	0131-691	S	1315-0X5	B1.309	0131-137	S	1472-011	B1.470	0131-783	S	1517-0X6B/S	B1.5091	0131-459	S
0460-777	F9.428	0132-210	S	1315-0X6	B1.309	0131-435	S	1472-011	B1.470	0131-786	A	1518-0X0	B1.5091	0131-143	S
0460-814	F9.428	0131-398	S	1316-060	B1.310	0131-055	S	1473-001	B1.470	0131-473	S	1518-0X0K/L	B1.5091	0131-197	S
0460-818	F9.428	0131-774	S	1316-0X5	B1.309	0131-139	S	1473-001	B1.470	0131-533	A	1518-0X1	B1.5091	0131-438	S
0460-819	F9.428	0131-774	S	1316-0X6	B1.309	0131-436	S	1473-011	B1.470	0131-641	S	1518-0X1K/L	B1.5091	0131-462	S
0460-830	F9.428	0131-691	S	1317-0X5	B1.309	0131-141	S	1473-011	B1.470	0131-787	A	1518-0X5	B1.5091	0131-143	S
0460-831	F9.428	0132-372	S	1317-0X6	B1.309	0131-437	S	1474-001	B1.470	0131-474	S	1518-0X5B/S	B1.5091	0131-197	S
0460-832	F9.428	0131-774	S	1341-XX5	B1.309	0131-151	S	1474-001	B1.470	0131-534	A	1518-0X6	B1.5091	0131-438	S
0460-833	F9.428	0131-774	S	1341-XX6	B1.309	0131-440	S	1474-011	B1.470	0131-784	S	1518-0X6B/S	B1.5091	0131-462	S
0460-834	F9.428	0131-399	S	1343-1X5	B1.309	0131-154	S	1474-011	B1.470	0131-788	A	1519-0X0	B1.5091	0131-145	S
0460-835	F9.428	0132-372	S	1343-1X6	B1.309	0131-441	S	1475-001	B1.470	0131-924	S	1519-0X0K/L	B1.5091	0131-198	S
0460-836	F9.428	0131-399	S	1344-1X5	B1.309	0131-155	S	1475-001	B1.470	0131-925	A	1519-0X1	B1.5091	0131-439	S
0460-837	F9.428	0131-398	S	1344-1X6	B1.309	0131-442	S	1475-011	B1.470	0131-926	S	1519-0X1K/L	B1.5091	0131-463	S
0460-838	F9.428	0131-399	S	1345-1X5	B1.309	0131-158	S	1475-011	B1.470	0131-927	A	1519-0X5	B1.5091	0131-145	S
0460-839	F9.428	0132-119	S	1345-1X6	B1.309	0131-443	S	1491-000	B1.490	0131-121	S	1519-0X5B/S	B1.5091	0131-198	S
0460-841	F9.428	0132-120	S	1346-1X5	B1.309	0131-160	S	1492-000	B1.490	0131-121	S	1519-0X6	B1.5091	0131-439	S
0460-847	F9.428	0132-211	S	1346-1X6	B1.309	0131-444	S	1493-000	B1.490	0131-123	S	1519-0X6B/S	B1.5091	0131-463	S
0460-884	F9.428	0132-209	S	1347-1X5	B1.309	0131-166	S	1494-000	B1.490	0131-123	S	1523-XX0K/L	B1.530	0132-745	S
0461-011	F9.461	0132-427	S	1347-1X6	B1.309	0131-445	S	1511-0X0	B1.5091	0131-131	S	1523-XX1K/L	B1.530	0132-746	S
0461-012	F9.461	0132-428	S	1371-010	B1.372	0131-073	S	1511-0X0K/L	B1.5091	0131-191	S	1523-XX5	B1.530	0132-162	S
0461-021	F9.461	0132-427	S	1372-800	B1.711	0132-227	S	1511-0X1	B1.5091	0131-432	S	1523-XX5B/S	B1.530	0132-745	S
0461-022	F9.461	0132-428	S	1373-010	B1.372	0131-074	S	1511-0X1K/L	B1.5091	0131-454	S	1523-XX6	B1.530	0132-163	S
0874-000	F9.426	0131-514	S	1374-010	B1.372	0131-075	S	1511-0X5	B1.5091	0131-131	S	1523-XX6B/S	B1.530	0132-746	S
1072-010	B1.462	5700-005	S	1401-010	B1.494	0131-815	S	1511-0X5B/S	B1.5091	0131-191	S	1524-XX0K/L	B1.530	0132-747	S
1073-010	B1.462	5700-006	S	1402-010	B1.494	0132-039	S	1511-0X6	B1.5091	0131-432	S	1524-XX1K/L	B1.530	0132-748	S
1074-010	B1.462	5700-007	S	1403-010	B1.494	0132-132	S	1511-0X6B/S	B1.5091	0131-454	S	1524-XX5	B1.530	0132-164	S
1075-020	B1.462	5700-008	S	1404-010	B1.494	0132-053	S	1512-801	B1.711	0132-659	S	1524-XX5B/S	B1.530	0132-747	S
1283-0X5	B1.2811	0132-290	S	1405-010	B1.494	0132-134	S	1513-0X0	B1.5091	0131-133	S	1524-XX6	B1.530	0132-165	S
1284-0X5	B1.2811	0132-291	S	1428-001	B1.4301	0131-103	S	1513-0X0K/L	B1.5091	0131-192	S	1524-XX6B/S	B1.530	0132-748	S
1285-0X5	B1.2811	0132-292	S	1430-101	B1.4301	0131-761	S	1513-0X1	B1.5091	0131-433	S	1525-XX0K/L	B1.530	0132-749	S
1286-0X5	B1.2811	0132-293	S	1431-001	B1.4301	0131-762	S	1513-0X1K/L	B1.5091	0131-455	S	1525-XX1K/L	B1.530	0132-750	S

Subject to change without prior notice



D = type of seal kit.
S = standard; A = seal kit for external seals (is included in standard)

Part-no.	Sheet	Seal kit	D	Part-no.	Sheet	Seal kit	D	Part-no.	Sheet	Seal kit	D	Part-no.	Sheet	Seal kit	D
1525-XX5	B1.530	0132-166	S	1544-260L	B1.542	0132-692	S	1547-276	B1.542	0131-899	S	1738-36X	B1.738	0132-215	S
1525-XX5B/S	B1.530	0132-749	S	1544-261L	B1.542	0132-693	S	1547-276B/S	B1.542	0132-729	S	1738-370	B1.738	0132-216	S
1525-XX6	B1.530	0132-167	S	1544-265	B1.542	0131-156	S	1547-40X	B1.552	0131-580	S	1752-004	B1.744	0131-928	S
1525-XX6B/S	B1.530	0132-750	S	1544-265B/S	B1.542	0132-692	S	1547-40XB/K/L/S	B1.552	0132-763	S	1752-023	B1.744	0131-944	S
1526-XX0K/L	B1.530	0132-751	S	1544-266	B1.542	0131-442	S	1547-41X	B1.554	0131-166	S	1754-004	B1.744	0131-929	S
1526-XX1K/L	B1.530	0132-752	S	1544-266B/S	B1.542	0132-693	S	1547-41XB/K/L/S	B1.554	0132-698	S	1754-023	B1.744	0131-694	S
1526-XX5	B1.530	0132-168	S	1544-40X	B1.552	0131-577	S	1547-42X	B1.554	0131-445	S	1755-004	B1.744	0131-930	S
1526-XX5B/S	B1.530	0132-751	S	1544-40XB/K/L/S	B1.552	0132-760	S	1547-42XB/K/L/S	B1.554	0132-699	S	1755-023	B1.744	0131-695	S
1526-XX6	B1.530	0132-169	S	1544-41X	B1.554	0131-156	S	1547-45X	B1.553	0131-166	S	1756-004	B1.744	0131-931	S
1526-XX6B/S	B1.530	0132-752	S	1544-41XB/K/L/S	B1.554	0132-692	S	1547-45XB/K/L/S	B1.553	0132-698	S	1756-023	B1.744	0131-947	S
1527-XX0K/L	B1.530	0132-753	S	1544-42X	B1.554	0131-442	S	1547-46X	B1.553	0131-445	S	1757-004	B1.744	0131-932	S
1527-XX1K/L	B1.530	0132-754	S	1544-42XB/K/L/S	B1.554	0132-693	S	1547-46XB/K/L/S	B1.553	0132-699	S	1757-023	B1.744	0131-948	S
1527-XX5	B1.530	0132-170	S	1544-45X	B1.553	0131-156	S	1547-51X	B1.554	0131-166	S	1758-004	B1.744	0131-933	S
1527-XX5B/S	B1.530	0132-753	S	1544-45XB/K/L/S	B1.553	0132-692	S	1547-51XB/K/L/S	B1.554	0132-698	S	1758-023	B1.744	0131-698	S
1527-XX6	B1.530	0132-171	S	1544-46X	B1.553	0131-442	S	1547-52X	B1.554	0131-445	S	1801-11X	B1.827	0132-430	S
1527-XX6B/S	B1.530	0132-754	S	1544-46XB/K/L/S	B1.553	0132-693	S	1547-52XB/K/L/S	B1.554	0132-699	S	1801-11X	B1.827	0132-431	A
1528-XX0K/L	B1.530	0132-755	S	1544-51X	B1.554	0131-156	S	1547-55X	B1.553	0131-166	S	1801-12X	B1.827	0132-430	S
1528-XX1K/L	B1.530	0132-756	S	1544-51XB/K/L/S	B1.554	0132-692	S	1547-55XB/K/L/S	B1.553	0132-698	S	1801-12X	B1.827	0132-431	A
1528-XX5	B1.530	0132-172	S	1544-52X	B1.554	0131-442	S	1547-56X	B1.553	0131-445	S	1802-11X	B1.827	0132-432	S
1528-XX5B/S	B1.530	0132-755	S	1544-52XB/K/L/S	B1.554	0132-693	S	1547-56XB/K/L/S	B1.553	0132-699	S	1802-11X	B1.827	0132-433	A
1528-XX6	B1.530	0132-173	S	1544-55X	B1.553	0131-156	S	1548-10X	B1.5094	0131-167	S	1802-12X	B1.827	0132-432	S
1528-XX6B/S	B1.530	0132-756	S	1544-55XB/K/L/S	B1.553	0132-692	S	1548-10XK/L	B1.5094	0132-700	S	1802-12X	B1.827	0132-433	A
1529-XX0K/L	B1.530	0132-757	S	1544-56X	B1.553	0131-442	S	1548-11X	B1.5094	0131-446	S	1803-11X	B1.827	0132-434	S
1529-XX1K/L	B1.530	0132-758	S	1544-56XB/K/L/S	B1.553	0132-693	S	1548-11XK/L	B1.5094	0132-701	S	1803-11X	B1.827	0132-435	A
1529-XX5	B1.530	0132-174	S	1545-1X0	B1.5094	0131-158	S	1548-1X5	B1.5094	0131-167	S	1803-12X	B1.827	0132-434	S
1529-XX5B/S	B1.530	0132-757	S	1545-1X0K/L	B1.5094	0132-694	S	1548-1X5B/S	B1.5094	0132-702	S	1803-12X	B1.827	0132-435	A
1529-XX6	B1.530	0132-175	S	1545-1X1	B1.5094	0131-443	S	1548-1X6	B1.5094	0131-446	S	1804-11X	B1.827	0132-436	S
1529-XX6B/S	B1.530	0132-758	S	1545-1X1K/L	B1.5094	0132-695	S	1548-1X6B/S	B1.5094	0132-703	S	1804-11X	B1.827	0132-437	A
1531-1X0K/L	B1.520	0132-690	S	1545-1X5	B1.5094	0131-158	S	1548-1X6B/S	B1.5094	0132-704	S	1804-12X	B1.827	0132-436	S
1531-1X6	B1.520	0131-440	S	1545-1X5B/S	B1.5094	0132-694	S	1548-21X	B1.5094	0132-705	S	1804-12X	B1.827	0132-437	A
1531-1X6B	B1.520	0132-691	S	1545-1X6	B1.5094	0131-443	S	1548-21XB/L/S	B1.5094	0132-706	S	1824-040	B1.824	0132-234	S
1533-1X0K/L	B1.520	0132-691	S	1545-1X6B/S	B1.5094	0132-695	S	1548-40X	B1.552	0131-581	S	1824-061	B1.824	0132-223	S
1533-1X6	B1.520	0131-441	S	1545-21X	B1.5094	0131-443	S	1549-10X	B1.5094	0131-168	S	1824-081	B1.824	0132-223	S
1533-1X6B	B1.520	0132-691	S	1545-21XB/L/S	B1.5094	0132-695	S	1549-1X0K/L	B1.5094	0132-702	S	1824-111	B1.824	0132-224	S
1534-1X0K/L	B1.520	0132-693	S	1545-260L	B1.542	0132-724	S	1549-1X1	B1.5094	0131-447	S	1824-131	B1.824	0132-224	S
1534-1X6	B1.520	0131-442	S	1545-261L	B1.542	0132-725	S	1549-1X1K/L	B1.5094	0132-703	S	1824-161	B1.824	0132-225	S
1534-1X6B	B1.520	0132-693	S	1545-265	B1.542	0131-213	S	1549-1X5	B1.5094	0131-168	S	1824-181	B1.824	0132-225	S
1535-1X0K/L	B1.520	0132-695	S	1545-265B/S	B1.542	0132-724	S	1549-1X5B/S	B1.5094	0132-702	S	1824-20X	B1.823	0132-077	S
1535-1X6	B1.520	0131-443	S	1545-266	B1.542	0131-451	S	1549-1X6	B1.5094	0131-447	S	1824-26X	B1.823	0132-054	S
1535-1X6B	B1.520	0132-695	S	1545-266B/S	B1.542	0132-725	S	1549-1X6B/S	B1.5094	0132-703	S	1824-310A	B1.823	0131-906	S
1536-1X0K/L	B1.520	0132-697	S	1545-40X	B1.552	0131-578	S	1549-21X	B1.5094	0131-447	S	1824-410A	B1.823	0131-906	S
1536-1X6	B1.520	0131-444	S	1545-40XB/K/L/S	B1.552	0132-761	S	1549-40X	B1.552	0131-582	S	1824-510A	B1.823	0131-907	S
1536-1X6B	B1.520	0132-697	S	1545-41X	B1.554	0131-158	S	1549-40XB/K/L/S	B1.552	0131-582	S	1824-610A	B1.823	0131-907	S
1537-1X0K/L	B1.520	0132-699	S	1545-41XB/K/L/S	B1.554	0132-694	S	1549-40XB/K/L/S	B1.552	0132-765	S	1825-01X	B1.825	0132-304	S
1537-1X6	B1.520	0131-445	S	1545-42X	B1.554	0131-443	S	1550-10X	B1.5094	0132-070	S	1825-01X	B1.825	0132-305	A
1537-1X6B	B1.520	0132-699	S	1545-42XB/K/L/S	B1.554	0132-695	S	1550-1X0K/L	B1.5094	0132-704	S	1825-11X	B1.825	0132-297	S
1538-1X0K/L	B1.520	0132-701	S	1545-45X	B1.553	0131-158	S	1550-1X1	B1.5094	0132-071	S	1825-11X	B1.825	0132-299	A
1538-1X6	B1.520	0131-446	S	1545-45XB/K/L/S	B1.553	0132-694	S	1550-1X1K/L	B1.5094	0132-705	S	1825-12X	B1.825	0132-300	S
1538-1X6B	B1.520	0132-701	S	1545-46X	B1.553	0131-443	S	1550-1X5	B1.5094	0132-070	S	1825-12X	B1.825	0132-299	A
1539-156B	B1.520	0132-703	S	1545-46XB/K/L/S	B1.553	0132-695	S	1550-1X5B/S	B1.5094	0132-704	S	1825-12XE/P	B1.825	0132-300	S
1539-1X0K/L	B1.520	0132-703	S	1545-51X	B1.554	0131-158	S	1550-1X6	B1.5094	0132-071	S	1825-13X	B1.825	0132-298	S
1539-1X6	B1.520	0131-447	S	1545-51XB/K/L/S	B1.554	0132-694	S	1550-1X6B/S	B1.5094	0132-705	S	1825-14X	B1.825	0132-301	S
1541-1X0	B1.5094	0131-151	S	1545-52X	B1.554	0131-443	S	1550-21X	B1.5094	0132-071	S	1825-14XE/P	B1.825	0132-301	S
1541-1X0K/L	B1.5094	0132-689	S	1545-52XB/K/L/S	B1.554	0132-695	S	1550-21XB/L/S	B1.5094	0132-705	S	1825-150A	B1.825	0132-298	S
1541-1X1	B1.5094	0131-440	S	1545-55X	B1.553	0131-158	S	1550-40X	B1.552	0131-583	S	1825-16X	B1.825	0132-301	S
1541-1X1K/L	B1.5094	0132-690	S	1545-55XB/K/L/S	B1.553	0132-694	S	1550-40XB/K/L/S	B1.552	0132-766	S	1825-16XE/P	B1.825	0132-301	S
1541-1X5	B1.5094	0131-151	S	1545-56X	B1.553	0131-443	S	1551-0X0	B1.5094	0131-170	S	1825-21X	B1.825	0132-373	S
1541-1X5B/S	B1.5094	0132-689	S	1545-56XB/K/L/S	B1.553	0132-695	S	1551-0X0K/L	B1.5094	0132-706	S	1825-21X	B1.825	0132-374	A
1541-1X6	B1.5094	0131-440	S	1546-1X0	B1.5094	0131-160	S	1551-0X1	B1.5094	0131-464	S	1825-22X	B1.825	0132-440	S
1541-1X6B/S	B1.5094	0132-690	S	1546-1X0K/L	B1.5094	0132-696	S	1551-0X1K/L	B1.5094	0132-707	S	1825-22X	B1.825	0132-374	A
1543-1X0	B1.5094	0131-154	S	1546-1X1	B1.5094	0131-444	S	1551-0X5	B1.5094	0131-170	S	1825-22XE/P	B1.825	0132-440	S
1543-1X0K/L	B1.5094	0131-155	S	1546-1X1K/L	B1.5094	0132-697	S	1551-0X5B/S	B1.5094	0132-706	S	1825-22XE/P	B1.825	0132-374	A
1543-1X1	B1.5094	0131-441	S	1546-1X5	B1.5094	0131-160	S	1551-0X6	B1.5094	0131-464	S	1825-23X	B1.825	0132-441	S
1543-1X1K/L	B1.5094	0132-691	S	1546-1X5B/S	B1.5094	0132-696	S	1551-0X6B/S	B1.5094	0132-707	S	1825-24X	B1.825	0132-442	S
1543-1X5	B1.5094	0131-155	S	1546-1X6	B1.5094	0131-444	S	1551-21X	B1.5094	0131-444	S	1825-24XE/P	B1.825	0132-442	S
1543-1X5B/S	B1.5094	0131-155	S	1546-1X6B/S	B1.5094	0132-697	S	1551-21XB/L/S	B1.5094	0132-707	S	1825-25X	B1.825	0132-441	S
1543-1X6	B1.5094	0131-441	S	1546-21X	B1.5094	0131-444	S	1552-0X5	B1.5094	0131-176	S	1825-26X	B1.825	0132-442	S
1543-1X6B/S	B1.5094	0132-691	S	1546-21XB/L/S	B1.5094	0132-697	S	1552-0X6	B1.5094	0131-465	S	1825-26XE/P	B1.825	0132-442	S
1543-210	B1.5094	0131-441	S	1546-260L	B1.542	0132-726	S	1552-21X	B1.5094	0					



D = type of seal kit:
S = standard; A = seal kit for external seals (is included in standard)

Part-no.	Sheet	Seal kit	D	Part-no.	Sheet	Seal kit	D	Part-no.	Sheet	Seal kit	D	Part-no.	Sheet	Seal kit	D
1844-A0XXX24	B1.853	0132-478	S	1850-164	B1.8491	0132-073	S	1893-152X000	B1.8802	0132-143	S	1896-1X2	B1.8803	0132-083	S
1844-B0XXX24	B1.853	0132-479	S	1850-165	B1.8491	0132-074	S	1893-153X000	B1.8802	0131-826	S	1896-1X22	B1.8803	0132-085	S
1844-C0XXX24	B1.853	0132-480	S	1850-1X5	B1.8491	0131-833	A	1893-1X1	B1.892	0131-259	S	1896-1X3	B1.880	0131-841	S
1844-D0XXX24	B1.853	0132-479	S	1853-A0XXX16	B1.8500	0132-578	S	1893-1X11	B1.892	0131-524	A	1896-1X4	B1.881	0131-287	S
1844-F0XXX24	B1.852	0132-496	S	1853-B0XXX16	B1.8500	0132-579	S	1893-1X2	B1.8803	0131-259	S	1896-1X8	B1.881	0131-287	S
1844-H0XXX24	B1.853	0132-481	S	1854-A0XXX21	B1.8500	0132-581	S	1893-1X22	B1.8803	0131-524	A	1896-1X8VDH36	B1.8811	0131-287	S
1844-LOXXX24	B1.849	0132-520	S	1854-B0XXX21	B1.8500	0132-582	S	1893-1X3	B1.880	0131-826	S	1896-1X8VMH36	B1.8811	0132-005	S
1844-M0XXX24	B1.854	0132-521	S	1856-A0XXX27	B1.8500	0132-582	S	1893-1X4	B1.881	0131-274	S	1896-1X9	B1.881	0131-288	S
1844-NOXXX24	B1.854	0132-521	S	1856-B0XXX27	B1.8500	0132-583	S	1893-1X6	B1.890	0131-278	S	1896-2X2	B1.8803	0132-083	S
1844-POXXX24	B1.853	0132-480	S	1857-A0XXX29	B1.8500	0132-584	S	1893-1X8	B1.881	0131-274	S	1896-2X22	B1.8803	0132-085	A
1844-ROXXX24	B1.853	0132-481	S	1857-B0XXX29	B1.8500	0132-585	S	1893-1X9	B1.881	0131-274	S	1896-2X3	B1.880	0131-841	S
1845-A0XXX30	B1.853	0132-482	S	1873-103	J7.203	0131-845	S	1893-2X1	B1.892	0131-259	S	1896-2X4	B1.881	0131-287	S
1845-B0XXX30	B1.853	0132-483	S	1873-105	J7.203	0131-918	S	1893-2X11	B1.892	0131-524	A	1896-2X8	B1.881	0131-287	S
1845-C0XXX30	B1.853	0132-484	S	1873-106	J7.202	0131-845	S	1893-2X2	B1.8803	0131-259	S	1896-2X8VDH36	B1.8811	0131-287	S
1845-D0XXX30	B1.853	0132-484	S	1873-203	J7.203	0131-845	S	1893-2X22	B1.8803	0131-524	A	1896-2X8VMH36	B1.8811	0132-005	S
1845-F0XXX30	B1.852	0132-497	S	1873-205	J7.203	0131-918	S	1893-2X3	B1.880	0131-826	S	1896-2X9	B1.881	0131-287	S
1845-G0XXX30	B1.852	0132-497	S	1873-206	J7.202	0131-845	S	1893-2X4	B1.881	0131-274	S	1896-3X2	B1.8803	0132-083	S
1845-H0XXX30	B1.853	0132-509	A	1873-305	J7.201	0131-845	S	1893-2X6	B1.890	0131-278	S	1896-3X22	B1.8803	0132-085	A
1845-LOXXX30	B1.854	0132-522	S	1873-405	J7.201	0131-840	A	1893-2X8	B1.881	0131-274	S	1896-3X3	B1.8803	0131-841	S
1845-M0XXX30	B1.854	0132-523	S	1874-103	J7.203	0131-846	S	1893-2X9	B1.881	0131-274	S	1896-3X3VDH36	B1.8801	0132-005	S
1845-NOXXX30	B1.854	0132-523	S	1874-105	J7.203	0131-919	S	1893-3X2	B1.8803	0131-259	S	1896-3X3VMH36	B1.8801	0131-998	S
1845-POXXX30	B1.853	0132-484	S	1874-106	J7.202	0131-846	S	1893-3X22	B1.8803	0131-524	A	1896-3X4	B1.881	0131-287	S
1845-Q0XXX30	B1.853	0132-485	S	1874-203	J7.203	0131-846	S	1893-3X3	B1.880	0131-826	S	1896-3X8	B1.881	0131-287	S
1846-A0XXX36	B1.853	0132-486	S	1874-205	J7.203	0131-919	S	1893-3X4	B1.881	0131-274	S	1896-3X9	B1.881	0131-287	S
1846-B0XXX36	B1.853	0132-487	S	1874-206	J7.202	0131-846	S	1893-3X8	B1.881	0131-274	S	1896-4X2	B1.8803	0132-083	S
1846-C0XXX36	B1.853	0132-488	S	1874-303	J7.201	0131-846	S	1893-3X9	B1.881	0131-274	S	1896-4X22	B1.8803	0132-085	A
1846-D0XXX36	B1.853	0132-488	S	1874-403	J7.201	0131-846	S	1893-4X2	B1.8803	0131-259	S	1896-4X3	B1.880	0131-841	S
1846-F0XXX36	B1.852	0132-498	S	1875-103	J7.203	0131-847	S	1893-4X22	B1.8803	0131-524	A	1896-4X3VDH36	B1.8801	0132-005	S
1846-G0XXX36	B1.852	0132-498	S	1875-105	J7.203	0131-920	S	1893-4X3	B1.880	0131-826	S	1896-4X4	B1.881	0131-998	S
1846-H0XXX36	B1.853	0132-510	A	1875-106	J7.202	0131-847	S	1893-4X4	B1.881	0131-274	S	1896-4X8	B1.881	0131-287	S
1846-LOXXX36	B1.854	0132-522	S	1875-203	J7.203	0131-847	S	1893-4X8	B1.881	0131-274	S	1896-4X82	B1.881	0131-287	S
1846-M0XXX36	B1.854	0132-523	S	1875-205	J7.203	0131-920	S	1893-4X9	B1.881	0131-274	S	1896-4X9	B1.881	0131-287	S
1846-NOXXX36	B1.854	0132-523	S	1875-206	J7.202	0131-847	S	1893-5X3	B1.880	0131-826	S	1896-5X3	B1.880	0131-841	S
1846-POXXX36	B1.853	0132-488	S	1875-303	J7.201	0131-847	S	1893-5X4	B1.881	0131-261	S	1896-5X4	B1.881	0131-288	S
1846-Q0XXX36	B1.853	0132-489	S	1875-403	J7.201	0131-847	S	1893-5X6	B1.890	0131-268	S	1896-5X8	B1.881	0131-288	S
1848-1X5	B1.848	0132-207	S	1876-103	J7.203	0131-848	S	1893-5X8	B1.881	0131-261	S	1896-5X8VDH36	B1.8811	0131-288	S
1849-001	B1.849	0131-723	S	1876-106	J7.202	0131-921	S	1893-5X9	B1.881	0131-261	S	1896-5X8VMH36	B1.8811	0132-006	S
1849-002	B1.849	0131-724	S	1876-1062	J7.202	0131-848	S	1893-6X3	B1.880	0131-826	S	1896-5X9	B1.881	0131-288	S
1849-003	B1.849	0131-723	S	1876-203	J7.203	0131-848	S	1893-6X4	B1.881	0131-261	S	1896-6X3	B1.880	0131-841	S
1849-004	B1.849	0131-724	S	1876-205	J7.203	0131-921	S	1893-6X6	B1.890	0131-268	S	1896-6X4	B1.881	0131-288	S
1849-005	B1.849	0131-723	S	1876-206	J7.202	0131-848	S	1893-6X8	B1.881	0131-261	S	1896-6X8	B1.881	0131-288	S
1849-011	B1.849	0131-723	S	1876-303	J7.201	0131-848	S	1893-6X82	B1.881	0131-261	S	1896-6X8VDH36	B1.8811	0131-288	S
1849-012	B1.849	0131-724	S	1876-403	J7.201	0131-848	S	1895-133X000	B1.8802	0132-602	S	1896-6X8VMH36	B1.8811	0132-006	S
1849-013	B1.849	0131-723	S	1877-103	J7.203	0131-849	S	1895-153X000	B1.8802	0132-602	S	1896-6X9	B1.881	0131-288	S
1849-014	B1.849	0131-724	S	1877-105	J7.203	0131-922	S	1895-1X1	B1.892	0131-264	S	1897-1X1	B1.892	0131-260	S
1849-015	B1.849	0131-725	S	1877-106	J7.202	0131-849	S	1895-1X11	B1.892	0131-526	A	1897-1X12	B1.892	0131-528	A
1849-021	B1.849	0131-723	S	1877-203	J7.203	0131-922	S	1895-1X1VDH35	B1.8921	0131-264	S	1897-1X1VDH38	B1.8921	0131-260	S
1849-022	B1.849	0131-724	S	1877-206	J7.202	0131-849	S	1895-1X1VDH35	B1.8921	0131-526	A	1897-1X1VDH38	B1.8921	0131-528	A
1849-023	B1.849	0131-723	S	1877-303	J7.201	0131-849	S	1895-1X1VMH35	B1.8921	0132-009	S	1897-1X1VMH38	B1.8921	0132-010	S
1849-024	B1.849	0131-724	S	1877-403	J7.201	0131-849	S	1895-1X2	B1.8803	0131-526	A	1897-1X1VMH38	B1.8921	0131-528	A
1849-025	B1.849	0131-725	S	1881-1X2	B1.891	0131-257	S	1895-1X22	B1.8803	0131-264	S	1897-1X2	B1.8803	0131-528	A
1849-031	B1.849	0131-723	S	1881-1X22	B1.891	0131-570	A	1895-1X3	B1.880	0131-840	S	1897-1X3	B1.880	0131-842	S
1849-032	B1.849	0131-724	S	1881-1X22	B1.891	0131-257	S	1895-1X4	B1.881	0131-275	S	1897-1X32	B1.881	0131-276	S
1849-033	B1.849	0131-723	S	1881-2X2	B1.891	0131-530	A	1895-1X42	B1.881	0131-275	S	1897-1X6	B1.890	0131-280	S
1849-034	B1.849	0131-724	S	1883-1X2	B1.892	0131-573	S	1895-1X5VDH35	B1.8821	0132-676	S	1897-1X62	B1.881	0131-276	S
1849-035	B1.849	0131-725	S	1883-1X22	B1.892	0131-524	A	1895-1X8	B1.881	0131-275	S	1897-1X8	B1.881	0131-276	S
1849-041	B1.849	0131-723	S	1883-1X3	B1.880	0131-836	S	1895-1X82	B1.881	0131-275	S	1897-1X8VDH38	B1.8811	0131-276	S
1849-042	B1.849	0131-724	S	1883-1X4	B1.881	0131-271	S	1895-1X8VMH35	B1.8811	0132-003	S	1897-1X9	B1.881	0131-276	S
1849-043	B1.849	0131-723	S	1883-2X2	B1.892	0131-573	S	1895-1X9	B1.881	0131-275	S	1897-2X1	B1.892	0131-260	S
1849-044	B1.849	0131-724	S	1883-2X22	B1.892	0131-524	A	1895-2X1	B1.892	0131-264	S	1897-2X12	B1.892	0131-528	A
1849-045	B1.849	0131-725	S	1883-2X3	B1.880	0131-836	S	1895-2X11	B1.892	0131-526	A	1897-2X1VDH38	B1.8921	0131-260	S
1849-051	B1.849	0131-723	S	1883-2X4	B1.881	0131-271	S	1895-2X1VDH35	B1.8921	0131-264	S	1897-2X1VDH38	B1.8921	0131-528	A
1849-052	B1.849	0131-724	S	1883-3X4	B1.881	0132-027	S	1895-2X1VDH35	B1.8921	0131-526	A	1897-2X1VMH38	B1.8921	0132-010	S
1849-053	B1.849	0131-723	S	1883-4X4	B1.881	0131-257	S	1895-2X1VMH35	B1.8921	0132-009	S	1897-2X1VMH38	B1.8921	0131-528	A
1849-054	B1.849	0131-724	S	1883-5X4	B1.881	0131-254	S	1895-2X1VMH35	B1.8921	0131-526	A	1897-2X2	B1.8803	0131-260	S
1849-055	B1.849	0131-725	S	1883-6X4	B1.881	0131-254	S	1895-2X2	B1.8803	0131-264	S	1897-2X22	B1.8803	0131-528	A
1849-061	B1.849	0131-723	S	1885-1X2	B1.892	0131-574	S	1895-2X22	B1.8803	0131-526	A	1897-2X3	B1.8803	0131-842	S
1849-062	B1.849	0131-724	S	1885-1X22	B1.892	0131-526	A	1895-2X2	B1.880	0131-840	S	1897-2X4	B1.881	0131-276	S
1849-063	B1.849	0131-723	S	1885-1X3	B1.880	0131-837	S	1895-2X4	B1.881	0131-275	S	1897-2X6	B1.		



D = type of seal kit.
S = standard; A = seal kit for external seals (is included in standard)

Part-no.	Sheet	Seal kit	D	Part-no.	Sheet	Seal kit	D	Part-no.	Sheet	Seal kit	D	Part-no.	Sheet	Seal kit	D
1903-001	B1.900	0131-283	S	1953-000	B1.950	0131-525	A	4312-3XX	H4.305	0131-738	S	9290-001	F9.290	0131-461	S
1904-001	B1.900	0131-283	S	1953-001	B1.950	0131-491	S	4312-4XX	H4.305	0131-739	S	9290-002	F9.290	0131-460	S
1911-003	B1.911	0131-321	S	1953-002	B1.950	0131-524	A	4316-120	H4.307	0132-013	S	9290-011	F9.290	0131-461	S
1911-004	B1.911	0131-321	S	1953-002	B1.950	0131-492	S	4316-160	H4.307	0132-015	S	9290-012	F9.290	0131-460	S
1911-021	B1.910	0131-293	S	1953-002	B1.950	0131-525	A	4316-200	H4.307	0132-017	S	9290-101	F9.290	0131-870	S
1912-021	B1.910	0131-293	S	1953-020	B1.9501	0132-466	S	4317-1X0	B1.481	0131-791	S	9290-102	F9.290	0131-869	S
1914-010	B1.914	0131-305	S	1953-020	B1.9501	0132-384	A	4317-2X0	B1.481	0131-791	S	9295-001	F9.290	0131-461	S
1914-020	B1.914	0131-305	S	1953-021	B1.9501	0132-466	S	4317-3X0	B1.481	0131-791	S	9295-002	F9.290	0131-460	S
1915-100	B1.730	0132-283	S	1953-021	B1.9501	0132-384	A	4317-4X0	B1.481	0131-791	S	9295-601	J7.490	0131-687	S
1915-150	B1.7301	0132-285	S	1953-022	B1.9501	0132-467	S	4317-5X0	B1.481	0131-791	S	9295-602	J7.490	0131-688	S
1915-151	B1.7301	0132-282	S	1953-022	B1.9501	0132-384	A	4318-110X	B1.4841	0132-349	S	9296-001	F9.290	0131-461	S
1915-300	B1.730	0132-128	S	1953-320	B1.9503	0132-661	S	4318-120X	B1.4841	0132-350	S	9296-002	F9.290	0131-460	S
1915-400	B1.730	0132-148	S	1953-321	B1.9503	0132-661	S	4318-130X	B1.4841	0132-351	S	9296-011	F9.290	0131-461	S
1921-10X	B1.921	0131-315	S	1953-322	B1.9503	0132-662	S	4318-130X	B1.4841	0132-654	A	9296-012	F9.290	0131-460	S
1923-00X	B1.921	0131-312	S	1955-000	B1.950	0131-493	S	4318-220X	B1.4842	0132-353	S	9296-101	F9.290	0131-870	S
1925-00X	B1.921	0131-313	S	1955-000	B1.950	0131-527	A	4318-230X	B1.4843	0132-353	S	9296-102	F9.290	0131-869	S
1931-005	B1.930	0132-266	S	1955-001	B1.950	0131-494	S	4318-230X	B1.4843	0132-586	A	9296-601	J7.490	0131-687	S
1931-025	B1.930	0132-267	S	1955-001	B1.950	0131-526	A	4412-974	B1.732	0132-161	S	9296-602	J7.490	0131-688	S
1933-005	B1.930	0132-268	S	1955-012	B1.950	0132-192	S	4412-977	B1.733	0132-392	S	9297-001	F9.290	0131-461	S
1933-025	B1.930	0132-269	S	1955-012	B1.950	0131-527	A	4412-978	B1.733	0132-392	S	9297-002	F9.290	0131-460	S
1935-006	B1.930	0132-270	S	1955-020	B1.9501	0132-468	S	4413-051	I4.120	0132-543	S	9297-601	J7.490	0131-687	S
1935-026	B1.930	0132-271	S	1955-020	B1.9501	0132-385	A	4413-151	I4.120	0132-541	S	9297-602	J7.490	0131-688	S
1940-000	B1.940	0131-322	S	1955-021	B1.9501	0132-468	S	4604-700	H4.330	0131-360	S	9298-001	F9.290	0131-461	S
1940-002	B1.9401	0132-368	S	1955-021	B1.9501	0132-385	A	4604-705	H4.330	0131-361	S	9298-002	F9.290	0131-460	S
1940-010	B1.940	0131-322	S	1955-022	B1.9501	0132-469	S	4606-130	F9.426	0131-513	S	9298-011	F9.290	0131-461	S
1940-012	B1.9401	0132-368	S	1955-022	B1.9501	0132-385	A	4606-131	F9.426	0131-513	S	9298-012	F9.290	0131-460	S
1940-201	B1.942	0132-413	S	1955-320	B1.9503	0132-663	S	4606-135	F9.426	0131-512	S	9298-101	F9.290	0131-870	S
1940-300	B1.943	0132-642	S	1955-321	B1.9503	0132-663	S	4606-230	F9.426	0131-387	S	9298-102	F9.290	0131-869	S
1940-400	B1.943	0132-643	S	1955-322	B1.9503	0132-664	S	4606-231	F9.426	0131-387	S	9298-601	J7.490	0131-687	S
1940-501	B1.943	0132-644	S	1957-000	B1.950	0131-496	S	4606-232	F9.426	0131-388	S	9298-602	J7.490	0131-688	S
1940-601	B1.943	0132-645	S	1957-000	B1.950	0131-529	A	4606-235	F9.426	0131-389	S	9299-001	F9.290	0131-461	S
1941-000	B1.940	0131-323	S	1957-001	B1.950	0131-497	S	5112-303	B1.311	0131-603	S	9299-002	F9.290	0131-460	S
1941-002	B1.9401	0132-369	S	1957-001	B1.950	0131-528	A	5112-403	B1.311	0131-604	S	9740-025	F9.426	0131-514	S
1941-010	B1.940	0131-323	S	1957-002	B1.950	0131-498	S	5112-503	B1.311	0131-605	S	9740-802	F9.426	0131-913	S
1941-012	B1.9401	0132-369	S	1957-002	B1.950	0131-529	A	5112-603	B1.311	0131-606	S	RM3X-XXXXX	B1.7384	0131-441	S
1941-201	B1.942	0132-413	S	1957-020	B1.9501	0132-470	S	5112-703	B1.311	0131-607	S	RM3X-XXXXX-B	B1.7384	0132-691	S
1941-300	B1.943	0132-642	S	1957-020	B1.9501	0132-386	A	8405-XXX	D8.0115	0131-390	S	RM4X-XXXXX	B1.7384	0131-442	S
1941-400	B1.943	0132-643	S	1957-021	B1.9501	0132-470	S	8601-2X1	D8.602	0132-188	S	RM4X-XXXXX-B	B1.7384	0132-693	S
1941-501	B1.943	0132-644	S	1957-021	B1.9501	0132-386	A	8753-200	D8.753	0131-732	S	RM5X-XXXXX	B1.7384	0131-443	S
1941-601	B1.943	0132-645	S	1957-022	B1.9501	0132-471	S	8753-201	D8.753	0131-732	S	RM5X-XXXXX-B	B1.7384	0132-695	S
1942-000	B1.940	0131-324	S	1957-320	B1.9503	0132-665	S	8753-202	D8.753	0132-149	S	RM6X-XXXXX	B1.7384	0131-444	S
1942-002	B1.9401	0132-370	S	1957-321	B1.9503	0132-665	S	8772-101	D8.770	0131-417	S	RM6X-XXXXX-B	B1.7384	0132-697	S
1942-005	B1.940	0131-324	S	1957-322	B1.9503	0132-666	S	8773-101	D8.770	0131-418	S	RSS3-XXX-2000	B1.7385	RS30-P	S
1942-007	B1.9401	0132-370	S	2953-100	C2.9533	0132-272	S	8774-101	D8.770	0131-419	S	RSS3-XXX-3000	B1.7385	RS30-V	S
1942-010	B1.940	0131-324	S	2953-400	C2.952	0131-677	S	8775-101	D8.770	0131-420	S	RSS4-XXX-2000	B1.7385	RS40-P	S
1942-012	B1.9401	0132-370	S	2954-420	C2.954	0131-537	S	880X-006	D8.800	0131-421	S	RSS4-XXX-3000	B1.7385	RS40-V	S
1942-015	B1.940	0131-324	S	2954-427	C2.954	0131-539	S	8816-006	D8.800	0131-421	S	RSS5-XXX-2000	B1.7385	RS50-P	S
1942-017	B1.9401	0132-370	S	2954-428	C2.954	0131-540	S	8817-00X	D8.817	0131-425	S	RSS5-XXX-3000	B1.7385	RS50-V	S
1942-102	B1.9402	0132-423	S	2954-429	C2.954	0131-538	S	8819-001	D8.819	0131-800	S	RSS6-XXX-2000	B1.7385	RS60-P	S
1942-102	B1.9402	0132-125	A	2954-440	C2.954	0131-537	S	8819-101	D8.819	0131-801	S	RSS6-XXX-3000	B1.7385	RS60-V	S
1942-107	B1.9402	0132-423	S	2954-441	C2.954	0131-539	S	9208-069	F9.280	0132-155	S	RS7-XXX-2000	B1.7385	RS70-P	S
1942-107	B1.9402	0132-125	A	2954-442	C2.954	0131-540	S	9208-129	C2.9501	0132-088	S	RS7-XXX-3000	B1.7385	RS70-V	S
1942-112	B1.9402	0132-423	S	2954-449	C2.954	0131-538	S	9208-130	C2.9501	0132-088	S	RSS8-XXX-2000	B1.7385	RS80-P	S
1942-112	B1.9402	0132-125	A	3887-017	D8.021	3887-107	S	9208-156	F9.280	0132-096	S	RSS8-XXX-3000	B1.7385	RS80-V	S
1942-117	B1.9402	0132-423	S	4311-2X1	H4.300	0131-550	S	9210-127	F9.300	0131-562	S	RSV6-XXX-2000	B1.7385	RSV6-P	S
1942-117	B1.9402	0132-125	A	4311-2X2	H4.300	0131-552	S	9210-132	F9.300	0131-562	S	RSV6-XXX-3000	B1.7385	RSV6-V	S
1942-201	B1.942	0132-412	S	4311-2X3	H4.300	0131-554	S	9210-145	F9.300	0132-606	S	RSV7-XXX-2000	B1.7385	RSV7-P	S
1942-300	B1.943	0132-646	S	4312-00X	H4.305	0131-675	S	9281-135	F9.280	0132-740	S	RSV7-XXX-3000	B1.7385	RSV7-V	S
1942-400	B1.943	0132-647	S	4312-02X	H4.305	0131-675	S	9281-136	F9.280	0132-732	S	RSV8-XXX-2000	B1.7385	RSV8-P	S
1942-501	B1.943	0132-641	S	4312-05X	H4.305	0131-710	S	9281-146	F9.281	0132-733	S	RSV8-XXX-3000	B1.7385	RSV8-V	S
1942-601	B1.943	0132-648	S	4312-07X	H4.305	0131-710	S	9284-036	F9.280	0132-561	S	RSV9-XXX-2000	B1.7385	RSV9-P	S
1942-900	B1.9405	0132-555	S	4312-080	H4.305	0131-710	S	9284-046	F9.280	0132-736	S	RSV9-XXX-3000	B1.7385	RSV9-V	S
1942-925	B1.9405	0132-555	S	4312-1XX	H4.305	0131-685	S	9284-135	F9.280	0132-737	S				
1953-000	B1.950	0131-490	S	4312-2XX	H4.305	0131-733	S	9286-135	F9.280	0132-741	S				