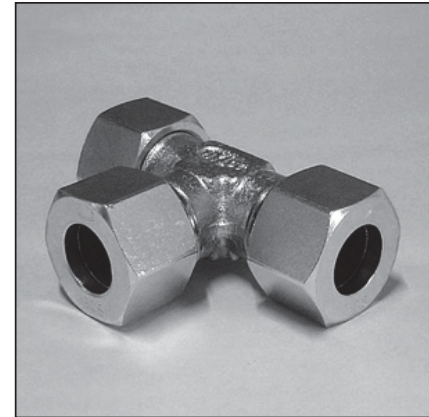
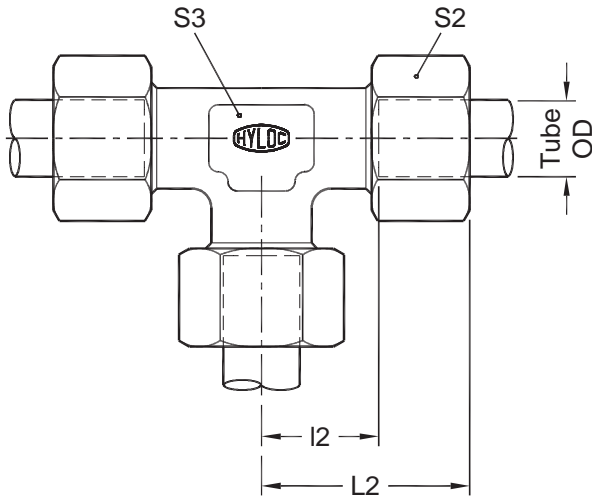


Equal Tee Couplings

T

Metric Tube end as per ISO 8434



*

Part No.	Series	Tube OD	I 2	L2	S2	S3
T06PL	Light L 250 bar	6	12.0	27.5	14	12
T08PL		8	14.0	29.0	17	12
T10PL		10	15.0	30.5	19	14
T12PL		12	17.0	32.0	22	17
T15PL		15	21.0	37.0	27	22
T18PL	160 bar	18	23.5	40.5	32	24
T22PL		22	27.5	44.5	36	27
T28PL	100 bar	28	30.5	48.5	41	36
T35PL		35	34.5	57.5	50	41
T42PL		42	40.0	63.5	60	50
T06PS	Heavy S 630 bar	6	16.0	31.5	17	12
T08PS		8	17.0	32.0	19	14
T10PS		10	17.5	34.5	22	17
T12PS		12	21.5	38.0	24	19
T16PS	400 bar	16	24.5	43.5	30	24
T20PS		20	26.5	49.0	36	27
T25PS		25	30.0	55.0	46	36
T30PS	250 bar	30	35.5	63.5	50	41
T38PS		38	41.0	72.5	60	50

Dimensions in mm

DIN Fittings

* Dimensions given are approx figures with tightened nut.