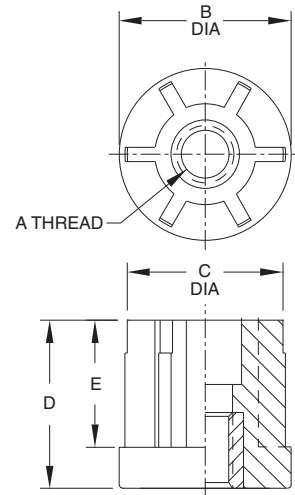
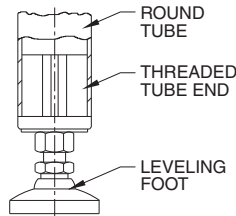


## THREADED TUBE ENDS

BODY: BLACK NYLON THERMOPLASTIC  
THREADED INSERT: BRASS, MOLDED IN



Round



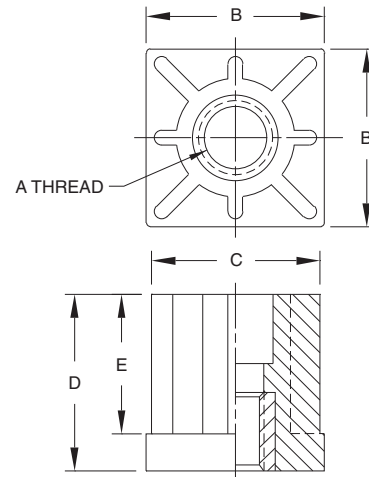
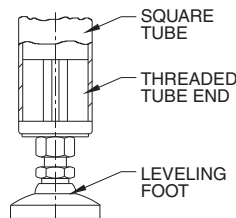
Ideal for mounting a Leveling Foot into the end of a round tube. High-strength ribbed design presses into the tube end, up to the shoulder, providing 1100 lbs load capacity. Available in three thread sizes, to fit round tubing with 1-1/2" outside diameter and .065 to .070" wall thickness.

### ROUND (USA)

| PART NO.       | TUBING EXTERNAL DIA | TUBING WALL THICKNESS | A      | B DIA | C DIA | D    | E    | LOAD RATING (LBS) |
|----------------|---------------------|-----------------------|--------|-------|-------|------|------|-------------------|
| CL-6-TTER-112  | 1.50                | .065/.070             | 3/8-16 | 1.50  | 1.40  | 1.70 | 1.34 | 1100              |
| CL-8-TTER-112  |                     |                       | 1/2-13 |       |       |      |      |                   |
| CL-10-TTER-112 |                     |                       | 5/8-11 |       |       |      |      |                   |



Square



Ideal for mounting a Leveling Foot into the end of a square tube. High-strength ribbed design presses into the tube end, up to the shoulder, providing 1300 lbs load capacity. Available in two thread sizes, to fit 1-1/2" square tubing with .065 to .070" wall thickness. Also available to fit 1-1/2" heavy-wall square tubing with .120 to .130" wall thickness.

### SQUARE (USA)

| PART NO.        | TUBING EXTERNAL DIA | TUBING WALL THICKNESS | A         | B    | C      | D    | E    | LOAD RATING (LBS) |
|-----------------|---------------------|-----------------------|-----------|------|--------|------|------|-------------------|
| CL-8-TTES-112   | 1.50                | .065/.070             | 1/2-13    | 1.50 | 1.37   | 1.69 | 1.38 | 1300              |
| CL-10-TTES-112  |                     |                       | 5/8-11    |      |        |      |      |                   |
| CL-8-TTES-112H  |                     |                       | .120/.130 |      | 1/2-13 |      |      |                   |
| CL-10-TTES-112H | 5/8-11              |                       |           |      |        |      |      |                   |