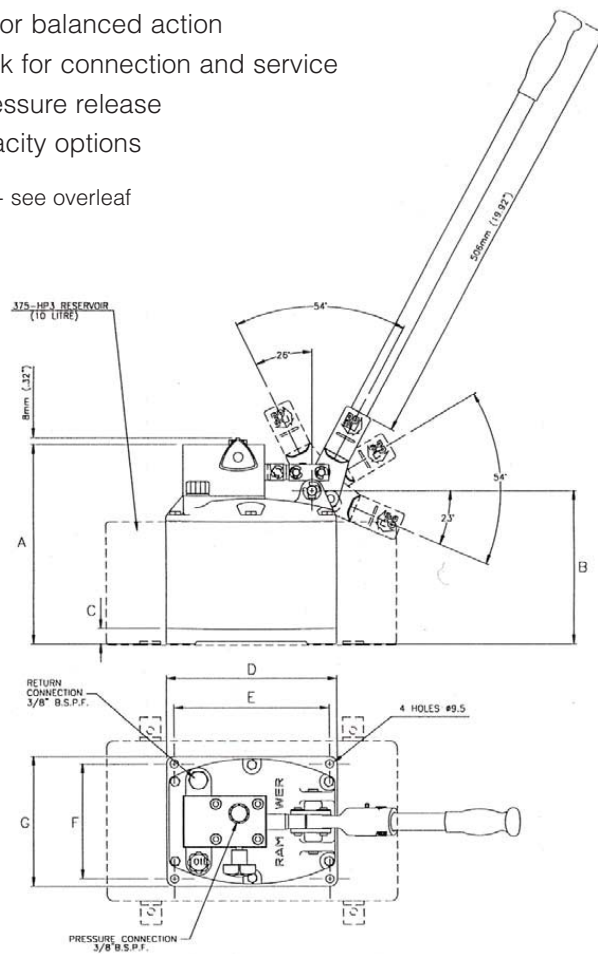


◀ HYDRAULIC HAND PUMP ▶ 375-HP RANGE

SPECIAL FEATURES ▶

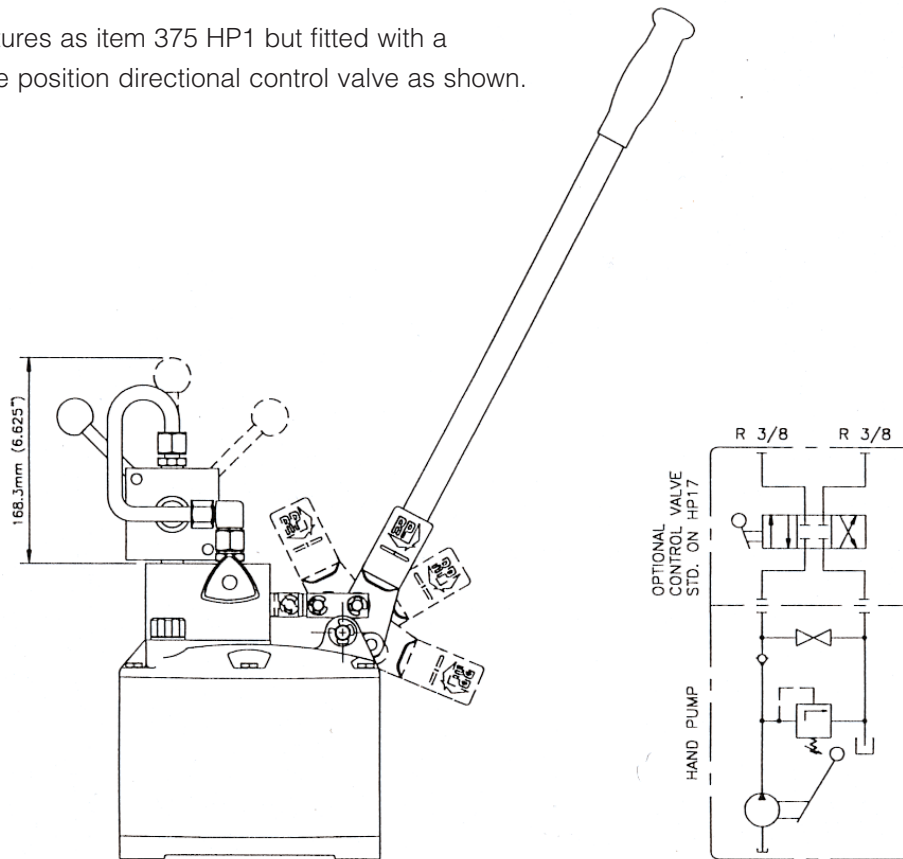
- 2 position handle - vertical or horizontal working
 - Double acting pump for balanced action
 - Accessible valve block for connection and service
 - Separate valve for pressure release
 - Various reservoir capacity options
- for general specifications - see overleaf



Part no.	A	b	c	d	e	f	g
HP1 + HP9 + HP17	248.9	190.5	19.00	212.8	193.8	146.0	165.1
HP3 + HP13	257.8	193.5	5.00	363.2	254.0	230.1	203.0
HP6 + HP12	255.5	190.5	6.35	590.5	254.0	279.5	254.0
HP8 + HP10	177.8	119.4	19.00	212.8	193.8	146.0	165.1
All dimensions are in mm							

◀ HYDRAULIC HAND PUMP ▶ 375 HP RANGE

Features as item 375 HP1 but fitted with a three position directional control valve as shown.



Hand pump part no.	Normal operating pressure		Maximum pressure 1) relief setting		Output per complete cycle		Effort on handle grip at normal operating pressure		useful container capacity		weight without oil	
	bar	psi	bar	psi	cm ³	in ³	kg	lb	cm ³	in ³	kg	lb
375 HP10	105	1500	176	2500	13.6	.830	13.61	30	1638	100	6.1	13.5
375 HP1	105	1500	176	2500	13.6	.830	13.61	30	3356	205	7.2	15.9
375 HP3	105	1500	176	2500	13.6	.830	13.61	30	8029	490	10.9	24.0
375 HP6	105	1500	176	2500	13.6	.830	13.61	30	16387	1000	20.8	45.8
375 HP8	282	4000	317	4500	6.8	.415	18.14	40	1638	100	6.1	13.5
375 HP9	282	4000	317	4500	6.8	.415	18.14	40	3356	205	7.2	15.9
375 HP12	282	4000	317	4500	6.8	.415	18.14	40	16387	1000	20.8	45.8
375 HP13 2)	105	1500	176	2500	13.6	.830	13.61	30	8029	490	10.9	24.0
375 HP17	105	1500	176	2500	13.6	.830	13.61	30	3356	205	8.1	17.8

1) Relief setting can be reduced

2) 375 HP13 is 375 HP3 fitted with oil level glass and large capacity filler / breather

other options available upon request