

Electric Drives
and Controls

Hydraulics

Linear Motion and
Assembly Technologies

Pneumatics

Service

Rexroth
Bosch Group

Electric amplifiers

RE 30052/02.12
Replaces: 01.09

1/6

Type VT-VRPA1-5...-1X/V0/...

Component series 1X



Table of contents

Contents

Features	
Ordering code, accessories	
Front plate	
Block diagram with pin assignment	
Technical data	
Unit dimensions	
Project planning / maintenance instructions / additional information	

Features

Page	– Suitable for controlling proportional valves
1	– Analog amplifiers in Europe format for installation in 19" racks
2	– Controlled output stage
2	– Position control with PID behavior
3	– Fast energization and fast deletion for short actuating times
4	– Enable input
5	– Cable break detection for actual value cable
	– Inputs and outputs short-circuit-proof
5	– Adjustment possibilities for zero point and sensitivity

Notice:

The photo shows an example configuration.
The delivered product differs from the figure.

Ordering code, accessories

VT-	V	R	P	A	1	-	-1X/V0/
Hydraulic component For valves with electrical feedback = R							
Valve type 4/2 high-response valve with positive overlap = P							
Control Analog = A							
Output stages 1 output stage = 1							
							Option PV = Pressure valves QV = Throttle/flow control valves V0 = Customer version Catalog version 1X = Component series 10 to 19 (10 to 19: Unchanged technical data and pin assignment) Serial number for types 527 = 2.7 A solenoid 537 = 3.7 A solenoid

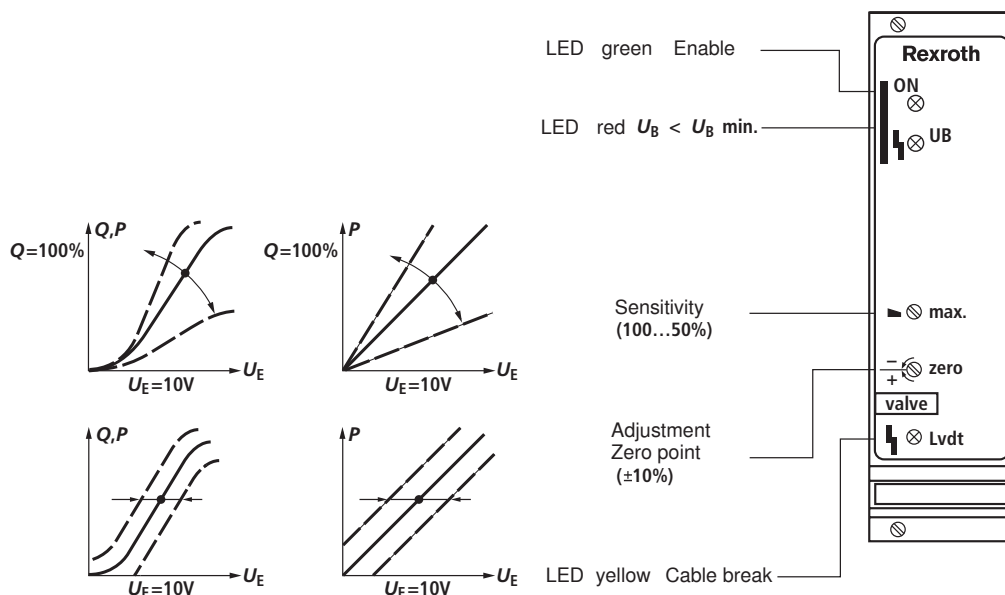
Preferred types

Type	Material number	For proportional valves
VT-VRPA1-527-10/V0	0811405095	DBETFX
VT-VRPA1-527-10/V0/PV	0811405096	DREB6X
VT-VRPA1-537-10/V0/PV	0811405097	DBEB10Z / DREB10Z / DBETBX
VT-VRPA1-527-10/V0/QV	0811405098	4WRP6EA / 3FREZ
VT-VRPA1-537-10/V0/QV	0811405099	4WRP10EA

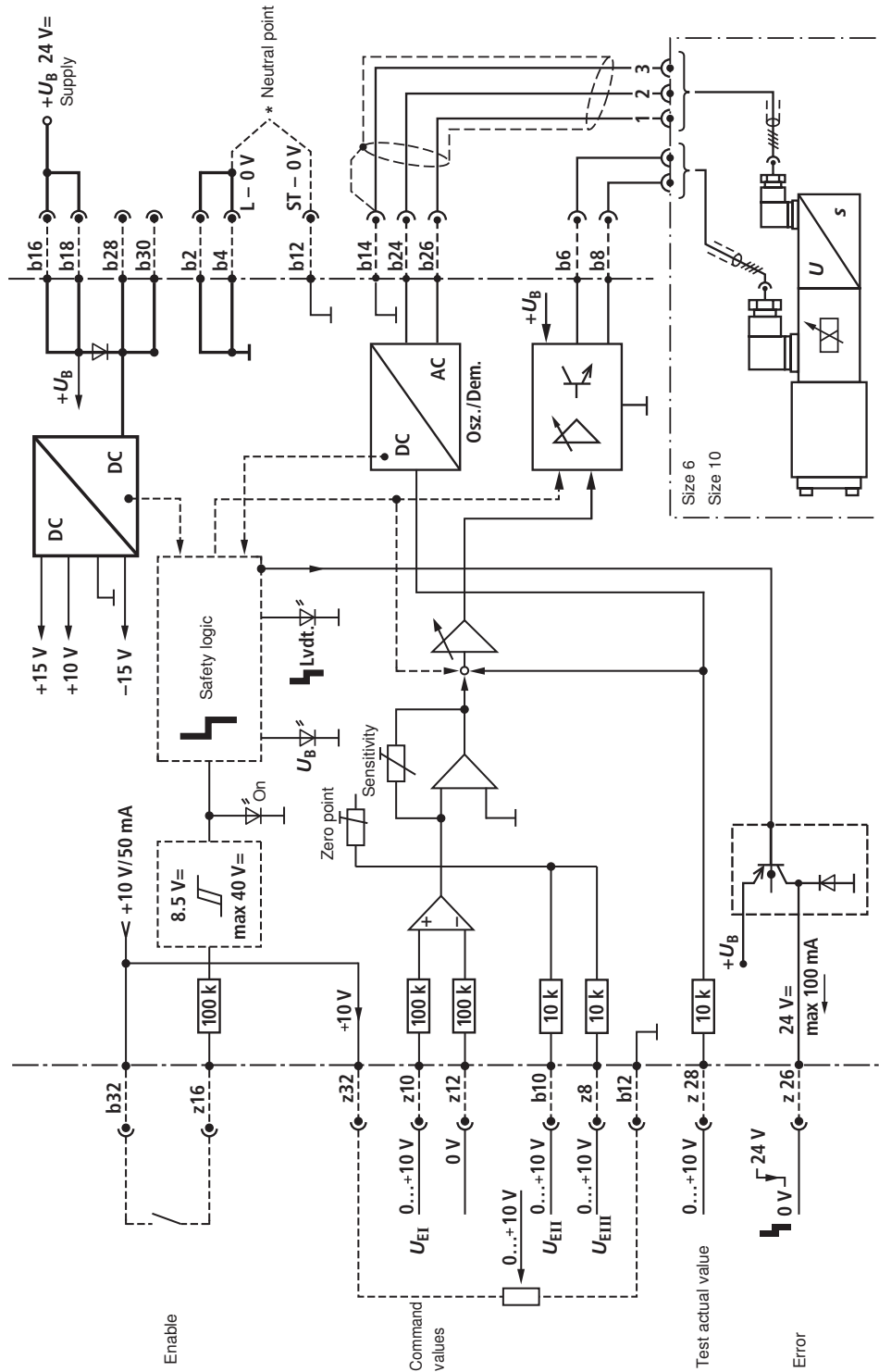
Suitable card holder:

- Open card holder VT 3002-1-2X/32F (see data sheet 29928).
Only for control cabinet installation!

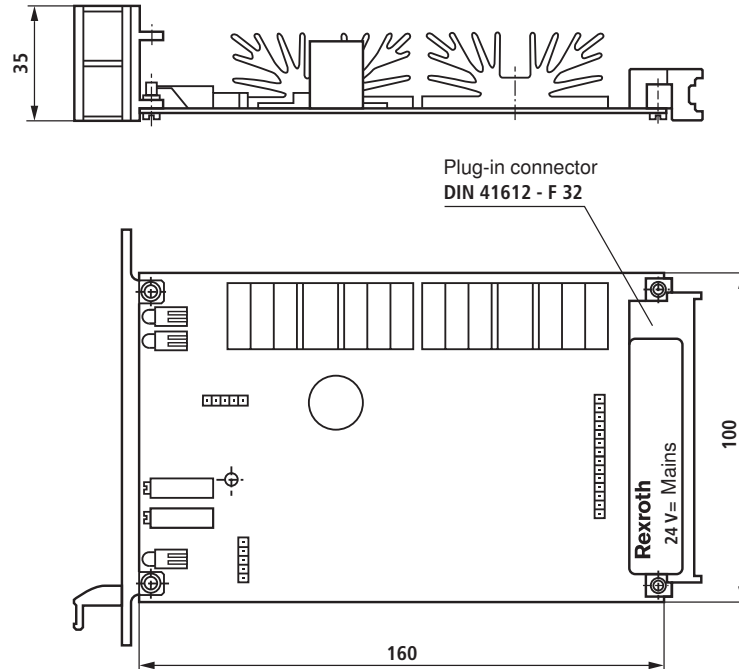
Front plate



Block diagram with pin assignment



Unit dimensions (dimensions in mm)



Project planning / maintenance instructions / additional information

- The amplifier card may only be unplugged and plugged when de-energized.
- The distance to aerial lines, radios and radar systems must be sufficient (> 1 m).
- Do not lay solenoid and signal lines near power cables.
- For signal lines and solenoid conductors, we recommend using shielded cables.
The cable shield must be connected to the control cabinet extensively and as short as possible.
- The valve solenoid must not be connected to free-wheeling diodes or other protective circuits.
- The cable lengths and cross-sections specified on page 4 must be complied with.

Notes

© This document, as well as the data, specifications and other information set forth in it, are the exclusive property of Bosch Rexroth AG. It may not be reproduced or given to third parties without its consent. The data specified above only serve to describe the product. No statements concerning a certain condition or suitability for a certain application can be derived from our information. The information given does not release the user from the obligation of own judgment and verification. It must be remembered that our products are subject to a natural process of wear and aging.