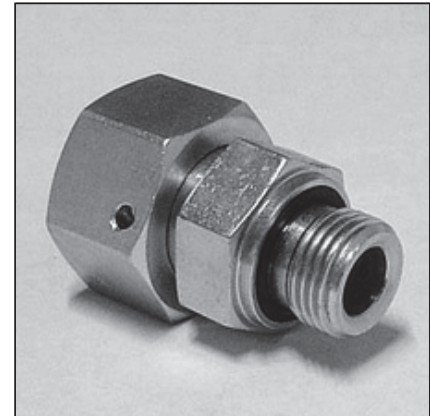
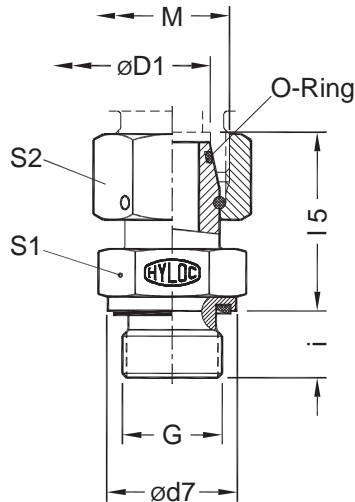


Straight Stud Standpipes with O-Ring

EGE-GE

Metric Standpipe with Swivel Coupling nut
Male BSPP (G) threads, DIN 3852-11
with Elastomeric seal



Part No.	Series	Tube OD (øD1)	G Male BSP thread	M	ød7	i	I 5	S1	S2	O' Ring I.D x C.S.D.
EGE06LGE	Light L 315 bar	6	G 1/8 A	M12 x 1.5	14	8	24.5	14	14	4.0 x 1.5
EGE08LGE		8	G 1/4 A	M14 x 1.5	19	12	29.5	19	17	6.0 x 1.5
EGE10LGE		10	G 1/4 A	M16 x 1.5	19	12	27.5	19	19	7.5 x 1.5
EGE12LGE		12	G 3/8 A	M18 x 1.5	22	12	34.0	22	22	9.0 x 1.5
EGE15LGE		15	G 1/2 A	M22 x 1.5	27	14	32.0	27	27	12.0 x 2.0
EGE18LGE		18	G 1/2 A	M26 x 1.5	27	14	31.5	27	32	15.0 x 2.0
EGE22LGE	160 bar	22	G 3/4 A	M30 x 2.0	32	16	32.5	32	36	20.0 x 2.0
EGE28LGE		28	G 1 A	M36 x 2.0	40	18	35.0	41	41	26.0 x 2.0
EGE35LGE		35	G1 1/4 A	M45 x 2.0	50	20	42.5	50	50	32.0 x 2.5
EGE42LGE		42	G1 1/2 A	M52 x 2.0	55	22	46.5	55	60	38.0 x 2.5
EGE06SGE	Heavy S 630 bar	6	G 1/4 A	M14 x 1.5	19	12	27.0	19	17	4.0 x 1.5
EGE08SGE		8	G 1/4 A	M16 x 1.5	19	12	29.5	19	19	6.0 x 1.5
EGE10SGE		10	G 3/8 A	M18 x 1.5	22	12	32.0	22	22	7.5 x 1.5
EGE12SGE		12	G 3/8 A	M20 x 1.5	22	12	34.0	22	24	9.0 x 1.5
EGE16SGE	400 bar	16	G 1/2 A	M24 x 1.5	27	14	37.0	27	30	12.0 x 2.0
EGE20SGE		20	G 3/4 A	M30 x 2.0	32	16	43.0	32	36	16.3 x 2.4
EGE25SGE		25	G 1 A	M36 x 2.0	40	18	48.0	41	46	20.3 x 2.4
EGE30SGE		30	G1 1/4 A	M42 x 2.0	50	20	51.0	50	50	25.3 x 2.4
EGE38SGE	315 bar	38	G1 1/2 A	M52 x 2.0	55	22	60.0	55	60	33.3 x 2.4

Dimensions in mm

DIN Fittings