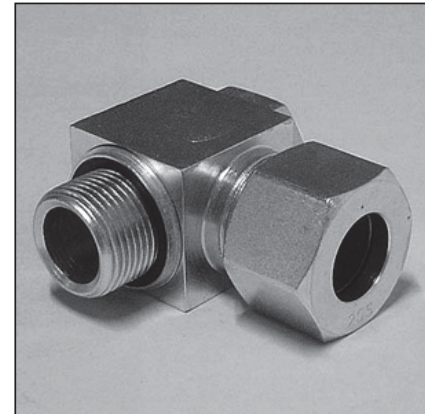
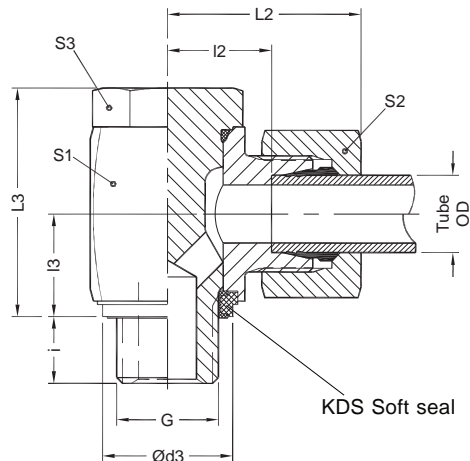


Banjo Elbow

WH-GE

Metric Tube end as per ISO 8434
Male stud - BSPP (G) threads



*

Part No. (With KDS Soft seal)	Series	Tube OD	BSP Thread G	Ød3	i	I 2	I 3	L 2	L 3	S 1	S 2	S 3
WH06PLGE	Light L 350 bar	6	G 1/8 A	14.9	8	13.0	10.0	28.5	21.0	17	14	14
WH06PLG02E		6	G 1/4 A	18.9	12	15.0	13.5	30.5	27.0	22	14	19
WH08PLGE		8	G 1/4 A	18.9	12	14.0	13.5	29.0	27.0	22	17	19
WH10PLGE		10	G 1/4 A	18.9	12	15.0	13.5	30.5	27.0	22	19	19
WH12PLGE		12	G 3/8 A	21.9	12	17.5	16.0	32.5	32.5	24	22	22
WH15PLGE		15	G 1/2 A	26.9	14	21.0	19.5	37.0	43.0	30	27	27
WH18PLGE		18	G 1/2 A	26.9	14	20.5	21.5	37.5	43.0	30	32	27
WH22PLGE	160 bar	22	G 3/4 A	32.9	16	27.0	24.0	44.0	48.0	36	36	32
WH28PLGE		28	G 1 A	39.9	18	31.5	30.5	49.5	59.0	46	41	41
WH35PLGE		35	G 1.1/4 A	49.9	20	35.5	35.5	58.5	70.0	55	50	50
WH42PLGE		42	G 1.1/2 A	55.9	22	40.0	40.5	63.5	80.0	65	60	55
WH06PSGE	Heavy 350 bar	6	G 1/4 A	18.9	12	16.0	13.5	31.5	27.0	22	17	19
WH08PSGE		8	G 1/4 A	18.9	12	16.0	13.5	31.0	27.0	22	19	19
WH10PSGE		10	G 3/8 A	21.9	12	18.0	16.0	35.0	32.5	24	22	22
WH12PSGE		12	G 3/8 A	21.9	12	18.0	16.0	34.5	32.5	24	24	22
WH16PSGE		16	G 1/2 A	26.9	14	21.5	21.5	40.5	43.0	30	30	27
WH20PSGE		20	G 3/4 A	32.9	16	26.0	24.0	48.5	48.0	36	36	32
WH25PSGE	250 bar	25	G 1 A	39.9	18	31.0	30.5	56.0	59.0	46	46	41
WH20PSGE		30	G 1.1/4 A	49.9	20	36.5	35.5	64.5	70.0	55	50	50
WH38PSGE		38	G 1.1/2 A	55.9	22	41.0	40.5	72.5	80.0	65	60	55

Dimensions in mm

* Dimensions given are approx figures with tightened nut.

DIN Fittings