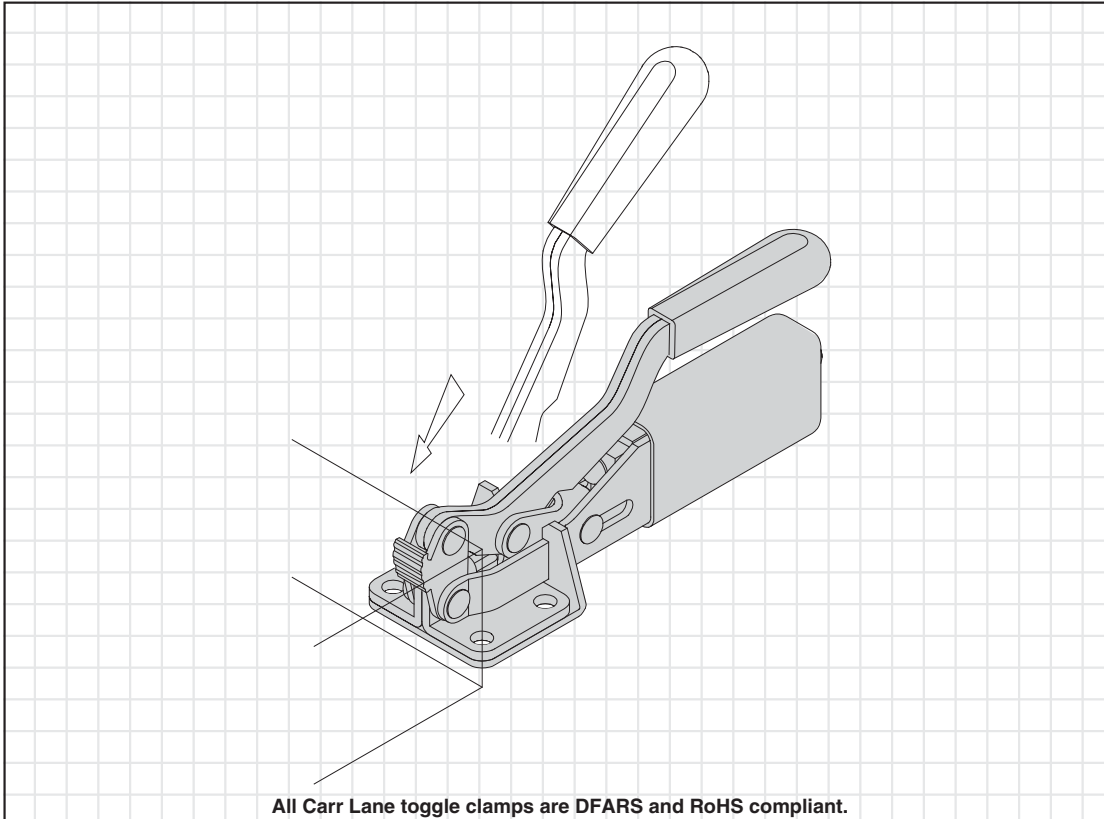
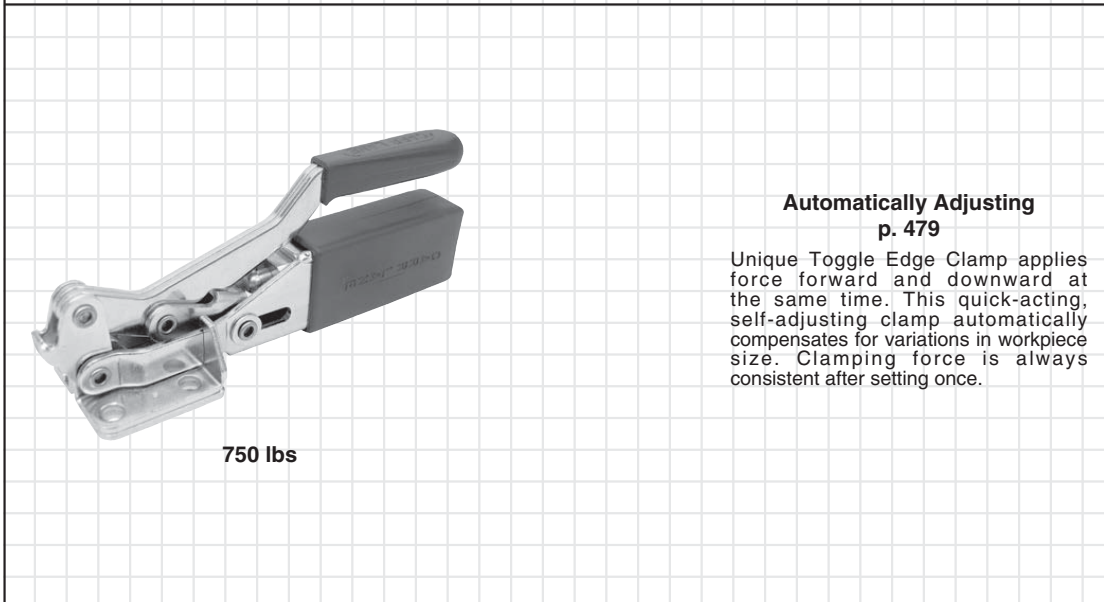


TOGGLE EDGE CLAMPS



All Carr Lane toggle clamps are DFARS and RoHS compliant.

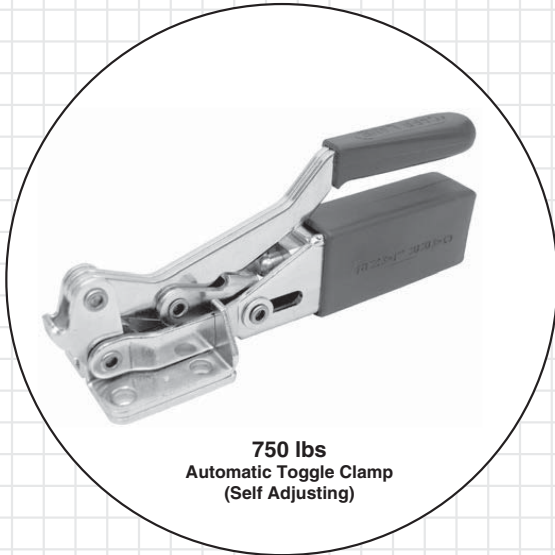


Automatically Adjusting p. 479

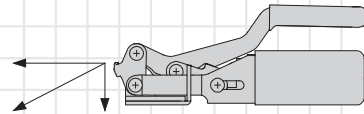
Unique Toggle Edge Clamp applies force forward and downward at the same time. This quick-acting, self-adjusting clamp automatically compensates for variations in workpiece size. Clamping force is always consistent after setting once.

750 lbs

TOGGLE EDGE CLAMPS



750 lbs
Automatic Toggle Clamp
(Self Adjusting)



Toggle Edge Clamps apply force forward and downward at the same time.

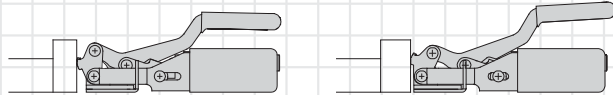
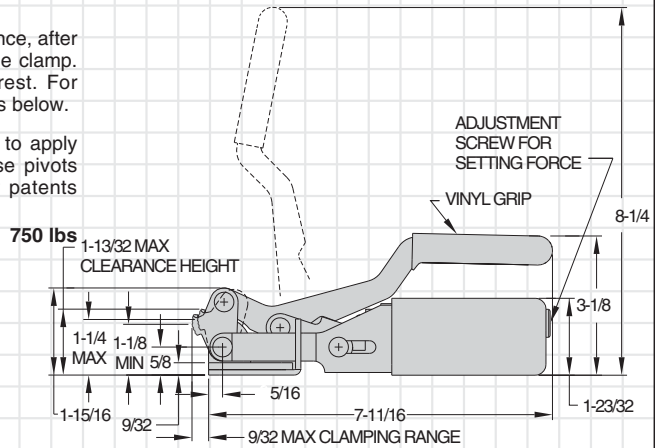
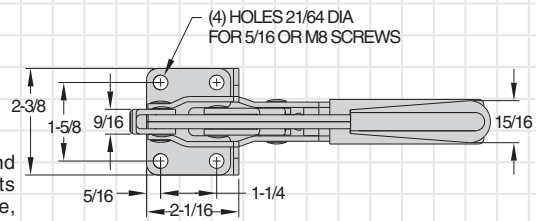
CL-550-A TEC Automatic Toggle Edge Clamp

Unique Toggle Edge Clamp applies force forward and downward at the same time. Automatically adjusts for different workpiece sizes. Clamps with the same, repeatable force anywhere within its 9/32" automatic-adjustment range.

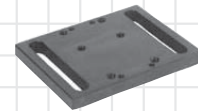
Easy to use. Simply set desired clamping force once, after mounting, then operate just like a standard toggle clamp. The patented adjusting mechanism does the rest. For mounting on T-slotted tables, see slotted adapters below.

Hardened clamping nose grips workpiece firmly to apply downthrust force. Handle moves 80° while nose pivots back for loading. Patent no. 4,407,493. Other patents pending. Shipping weight 1.8 lbs.

Holding capacity:



9/32" Automatic-Adjustment Range



For slotted adaptors
see p. 421