

Electric Drives
and Controls

Hydraulics

Linear Motion and
Assembly Technologies

Pneumatics

Service

Rexroth
Bosch Group

Subplates sizes 10, 25 and 32 with porting pattern to DIN 24340 form E and ISO 6264

RE 45064/10.05
Replaces: 01.03

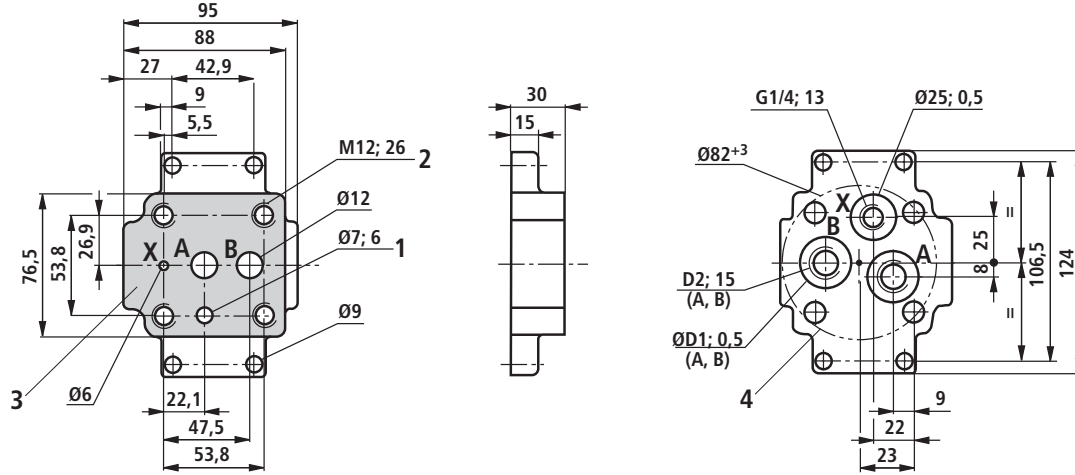
1/6

Maximum operating pressure 350 bar
Sizes 10, 25 and 32

Table of contents

Contents	Page
Types G 545/01; G 546/01 – size 10	2
Types G 408/01; G 409/01 – size 25	3
Types G 410/01; G 411/01 – size 32	4
Type G 51/01	5
Type G 565/01	6

Types G 545/01; G 546/01 – size 10 (nominal dimensions in mm)



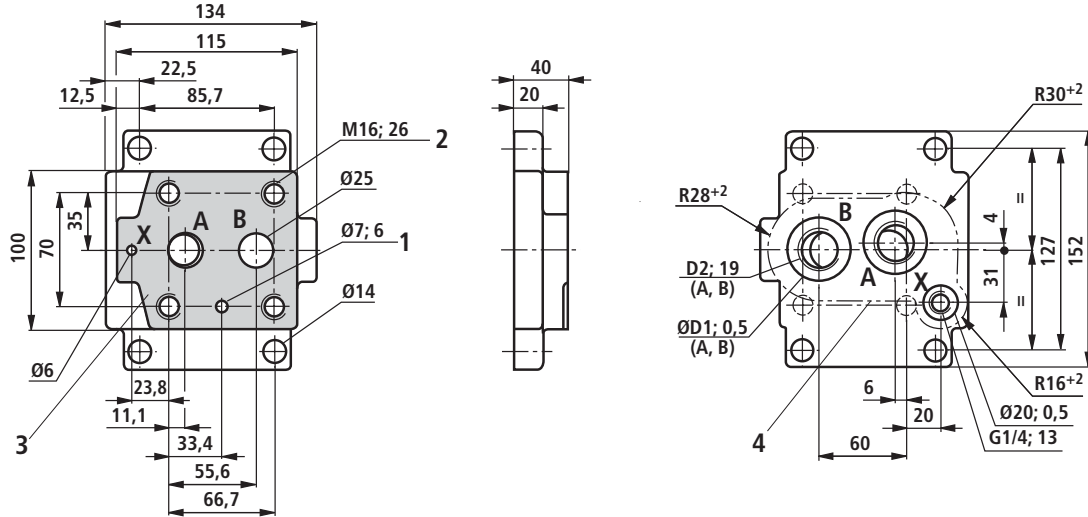
Type	Material no.	Weight in kg	ØD1	D2	Valve fixing screws ¹⁾ (separate order)	M _T in Nm
G 545/01	R900411116	1.5	28	G3/8	4 socket head cap screws ISO 4762 - M12 - 10.9	130
G 546/01	R900411117		34	G1/2		

- 1 Bore for locating pin
- 2 Valve fixing thread
- 3 Valve mounting face
- 4 Front panel cutout

¹⁾ **Note on valve fixing screws:**

The length and tightening torque of valve fixing screws depend on the valve types and sandwich plates possibly provided.

Types G 408/01; G 409/01 – size 25 (nominal dimensions in mm)



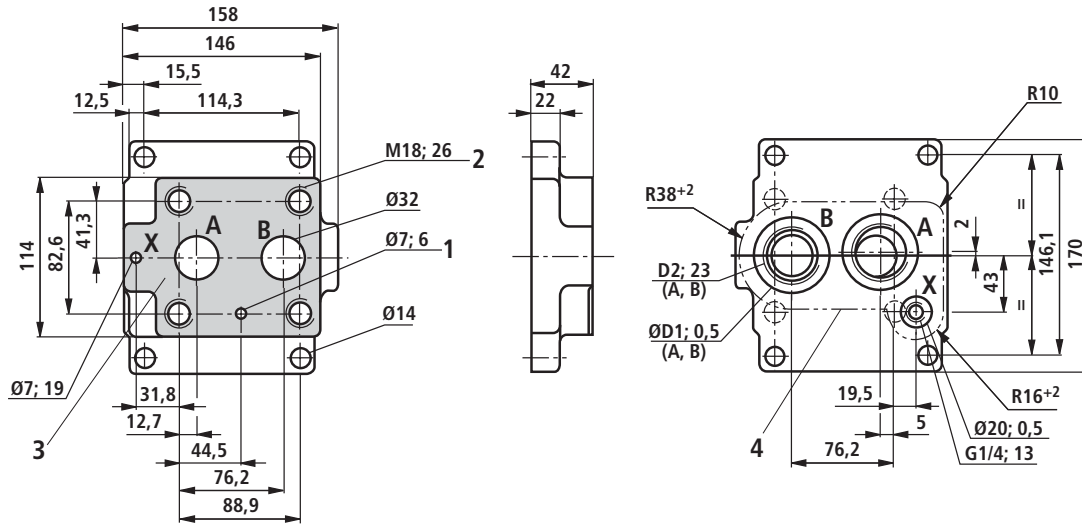
Type	Material no.	Weight in kg	ØD1	D2	Valve fixing screws ¹⁾ (separate order)	M _T in Nm
G 408/01	R900439820	3	42	G3/4	4 socket head cap screws ISO 4762 - M16 - 10.9	310
G 409/01	R900435663		47	G1		

- 1 Bore for locating pin
- 2 Valve fixing thread
- 3 Valve mounting face
- 4 Front panel cutout

¹⁾ **Notes on valve fixing screws:**

The length and tightening torque of valve fixing screws depend on the valve types and sandwich plates possibly provided.

Types G 410/01; G 411/01 – size 32 (nominal dimensions in mm)



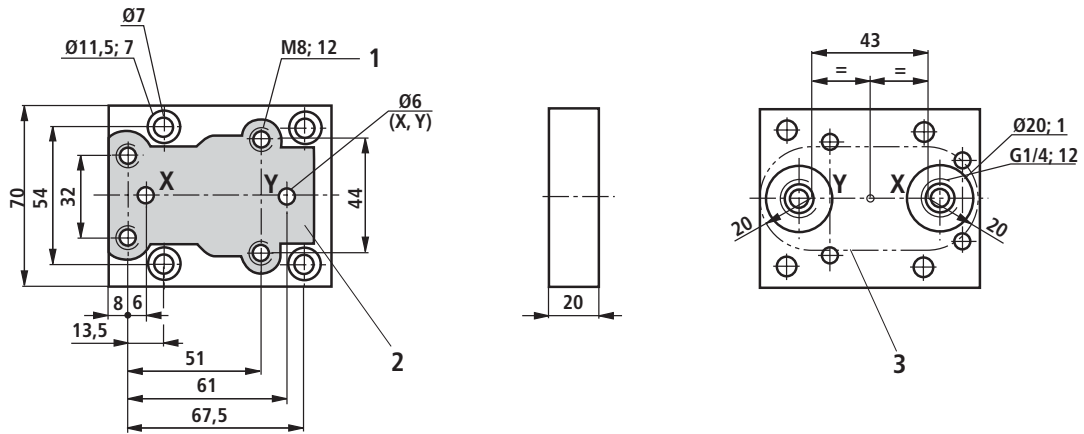
Type	Material no.	Weight in kg	ØD1	D2	Valve fixing screws ¹⁾ (separate order)	M _T in Nm
G 410/01	R900440340	5	58	G1 1/4	4 socket head cap screws ISO 4762 - M18 - 10.9	430
G 411/01	R900439106		65	G1 1/2		

- 1 Bore for locating pin
- 2 Valve fixing thread
- 3 Valve mounting face
- 4 Front panel cutout

¹⁾ **Notes on valve fixing screws:**

The length and tightening torque of valve fixing screws depend on the valve types and sandwich plates possibly provided.

Type G 51/01 (nominal dimensions in mm)



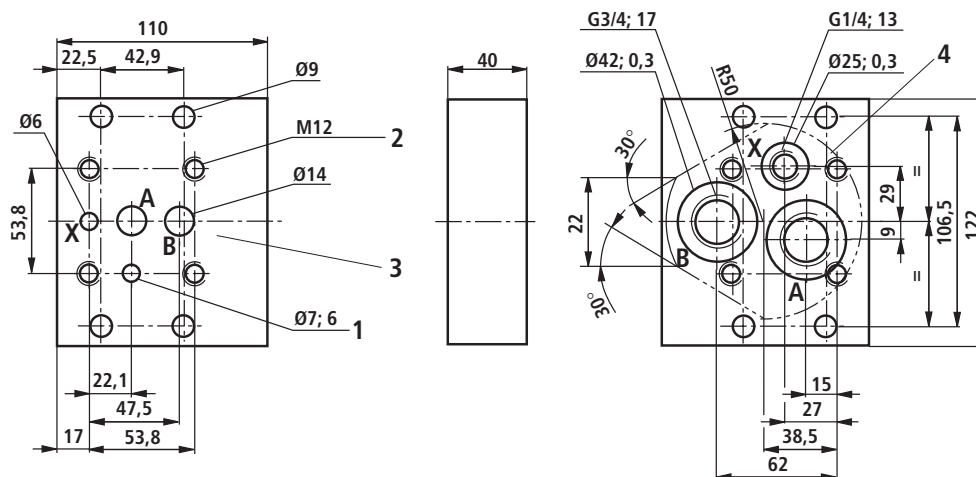
Type	Material no.	Weight in kg	Valve fixing screws ¹⁾ (separate order)	M_T in Nm
G 51/01	R900447986	1	4 socket head cap screws ISO 4762 - M8 - 10.9	37

- 1 Valve fixing thread
- 2 Valve mounting face
- 3 Front panel cutout

¹⁾ **Notes on valve fixing screws:**

The length and tightening torque of valve fixing screws depend on the valve types and sandwich plates possibly provided.

Type G 565/01 (nominal dimensions in mm)



Type	Material no.	Weight in kg	Valve fixing screws ¹⁾ (separate order)	M _T in Nm
G 565/01	R900489898	3	4 socket head cap screws ISO 4762 - M12 - 10.9	130

- 1 Bore for locating pin
- 2 Valve fixing thread
- 3 Valve mounting face
- 4 Front panel cutout

¹⁾ Notes on valve fixing screws:

The length and tightening torque of valve fixing screws depend on the valve types and sandwich plates possibly provided.

© This document, as well as the data, specifications and other information set forth in it, are the exclusive property of Bosch Rexroth AG. It may not be reproduced or given to third parties without its consent.

The data specified above only serve to describe the product. No statements concerning a certain condition or suitability for a certain application can be derived from our information. The information given does not release the user from the obligation of own judgment and verification. It must be remembered that our products are subject to a natural process of wear and aging.

RE 45064/10.05 | Subplates sizes 10, 25, 32

Hydraulics | Bosch Rexroth AG

Notes

Bosch Rexroth AG
Hydraulics
Zum Eisengießer 1
97816 Lohr am Main, Germany
Phone +49 (0) 93 52 / 18-0
Fax +49 (0) 93 52 / 18-23 58
documentation@boschrexroth.de
www.boschrexroth.de

© This document, as well as the data, specifications and other information set forth in it, are the exclusive property of Bosch Rexroth AG. It may not be reproduced or given to third parties without its consent.

The data specified above only serve to describe the product. No statements concerning a certain condition or suitability for a certain application can be derived from our information. The information given does not release the user from the obligation of own judgment and verification. It must be remembered that our products are subject to a natural process of wear and aging.

Notes

Bosch Rexroth AG
Hydraulics
Zum Eisengießer 1
97816 Lohr am Main, Germany
Phone +49 (0) 93 52 / 18-0
Fax +49 (0) 93 52 / 18-23 58
documentation@boschrexroth.de
www.boschrexroth.de

© This document, as well as the data, specifications and other information set forth in it, are the exclusive property of Bosch Rexroth AG. It may not be reproduced or given to third parties without its consent.

The data specified above only serve to describe the product. No statements concerning a certain condition or suitability for a certain application can be derived from our information. The information given does not release the user from the obligation of own judgment and verification. It must be remembered that our products are subject to a natural process of wear and aging.