

The Drive & Control Company

**Rexroth**  
Bosch Group

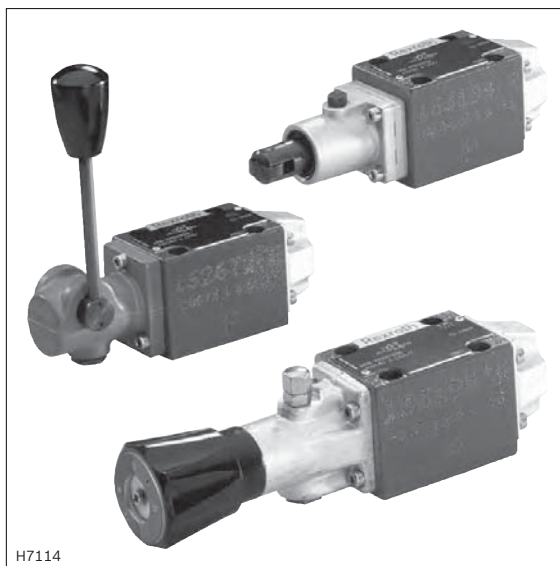
Directional spool valves, direct operated,  
with mechanical or manual actuation

Type WMR, WMRZ, WMU, WMM and WMD(A)

**RE 22280**

Edition: 2013-06

Replaces: 04.10



H7114

- ▶ Size 6
- ▶ Component series 5X; 6X
- ▶ Maximum operating pressure 315 [4569 psi]
- ▶ Maximum flow 60 l/min [15.8 US gpm]

## Features

- ▶ 4/3, 4/2 or 3/2 directional design
- ▶ Porting pattern according to DIN 24340 form A (**without** locating hole)
- ▶ Porting pattern according to ISO 4401-03-02-0-05 and NFPA T3.5.1 R2-2002 D03 (**with** locating hole)
- ▶ Types of actuation:
  - Roller plunger
  - Hand lever
  - Rotary knob
- ▶ Inductive position switches and proximity sensors (contactless)

## Contents

Features	1
Ordering code	2, 3
Symbols	4
Types of actuation	5
Function, section	6
Technical data	7
Actuating force/torque	8
Characteristic curves	8
Performance limits	9, 10
Dimensions	11 ... 13
More information	14

RE 22280, edition: 2013-06, **Bosch Rexroth AG**

2/14 WMR, WMRZ, WMU, WMM, WMD(A) | Directional spool valve

## Ordering code

01	02	03	04	05	06	07	08	09	10	11	12	13
		6			/			/				*

01	3 main ports	3
	4 main ports	4

### Type of actuation

02	Roller plunger (see page 12)	WMR
	Roller plunger (see page 12)	WMRZ
	Roller plunger (see page 12)	WMU
	Hand lever	WMM
	Rotary knob	WMD
	Lockable rotary knob <sup>1)</sup>	WMDA

03	Size 6	6
----	--------	---

04	Symbols e.g. C, E, EA, EB, etc; possible version see pages 4 and 5	
----	--	--

05	Component series 50 to 59 (50 to 59: Unchanged installation and connection dimensions)	5X
	Component series 60 to 69 (60 to 69: Unchanged installation and connection dimensions) (only version "WMRZ")	6X

06	With spring return (version "WMR", "WMRZ", "WMU", "WMM")	no code
	Without spring return with detent (version "WMM", "WMD", "WMDA")	F


### Corrosion protection

07	Standard corrosion protection	no code
	Improved corrosion protection <sup>2)</sup>	J

### Spool position monitoring <sup>3)</sup>

08	Without position switch	no code
	<b>- Inductive position switch type QM</b>	
	Monitored spool position "a"	QMAG24
	Monitored spool position "b"	QMBG24
	Monitored rest position	QM0G24
	For more information see data sheet 24830	

- <sup>1)</sup> Key with material no. **R900006980** for series 50 to 52 and **R900008158** from series 53 is included in the scope of delivery.
- <sup>2)</sup> The external parts made of metal are galvanized, treated with an anti-corrosion agent or made of stainless steel. This design is also suitable for on-wall applications.
- <sup>3)</sup> Only for valves with 2 spool positions such as versions "WMR", "WMU" and "WMM"; not for version "J"
- <sup>4)</sup> Use if volume flow > performance limit of the valve, effective in channel P.
- <sup>5)</sup> Locking pin ISO 8752-3x8-St, material no. **R900005694**, separate order

 **Notice!** Preferred types and standard units are contained in the EPS (standard price list).

Directional spool valve | **WMR, WMRZ, WMU, WMM, WMD(A)** 3/14

## Ordering code

01	02	03	04	05	06	07	08	09	10	11	12	13
		6			/			/				*

09	<b>Without</b> throttle insert	<b>no code</b>
	Throttle Ø 0.8 mm [0.0315 inch]	<b>B08</b> <sup>4)</sup>
	Throttle Ø 1.0 mm [0.0394 inch]	<b>B10</b> <sup>4)</sup>
	Throttle Ø 1.2 mm [0.0472 inch]	<b>B12</b> <sup>4)</sup>

### Clamping length

10	42 mm [1.65 inch] (standard)	<b>no code</b>
	22 mm [0.87 inch] (only version "WMRZ")	<b>Z</b>

### Seal material

11	NBR seals	<b>no code</b>
	FKM seals	<b>V</b>
	Attention: Observe compatibility of seals with hydraulic fluid used! (Other seals upon request)	

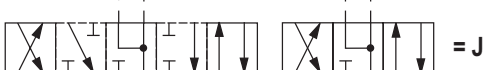
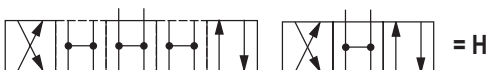
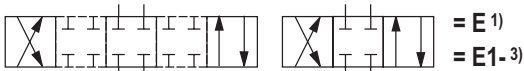
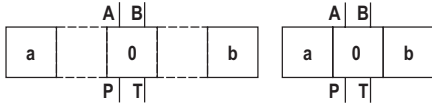
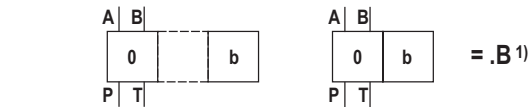
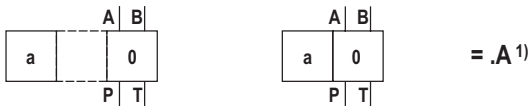
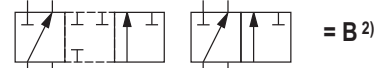
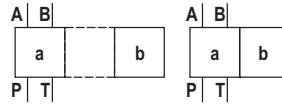
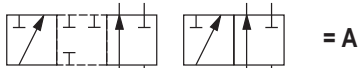
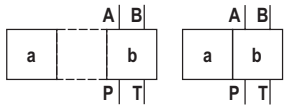
12	<b>Without</b> locating hole	<b>no code</b>
	<b>With</b> locating hole	<b>/60</b> <sup>5)</sup>
	<b>With</b> locating hole and locking pin ISO 8752-3x8-St	<b>/62</b>

13	Further details in the plain text	
----	-----------------------------------	--

RE 22280, edition: 2013-06, **Bosch Rexroth AG**

4/14 WMR, WMRZ, WMU, WMM, WMD(A) | Directional spool valve

## Symbols



### 1) Example:

Symbol E with spool position "a" → ordering code **..EA..**

Symbol E with spool position "a" → ordering code **..EB..**

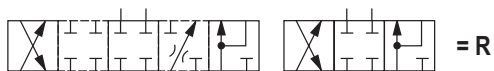
### 2) Only version "WMR", "WMU" and "WMM"

### 3) Symbol E1:: P → A/B pre-opening

**Caution in conjunction with differential cylinders due to pressure intensification!**

### Notice!

Representation according to DIN ISO 1219-1.  
Hydraulic interim positions are shown by dashes.



## Types of actuation

Symbol	Ordering code		Type of actuation				
	Actuating side	Detent	Roller plunger "WMRZ" 2)	Roller plunger "WMR", "WMU"	Hand lever "WMM"	Rotary knob "WMD", "WMDA"	
A, C, D		../F..					
B, Y							
		../F..					
E1-, E, F, G, H, J, L M, P, Q, R, T, U, V, W	"a" 1) = .A	../F..					
	"b" 1) = .B	../F..					
	../F..						

1) See symbols on page 4

2) Only for valves with 2 spool positions

6/14 WMR, WMRZ, WMU, WMM, WMD(A) | Directional spool valve

## Function, section

Type WM.. valves are mechanical, manually actuated directional spool valves. They control the start, stop and direction of a flow.

Directional valves basically consist of housing (1), one type of actuation (2) (roller plunger, hand lever, rotary knob), control spool (3), and one or two return springs (4).

In de-energized state, the return springs (4) maintain the control spool (3) in central or starting position - if the rotary knob is actuated with a detent.

The control spool (3) is moved to the desired spool position by means of the type of actuation (2).

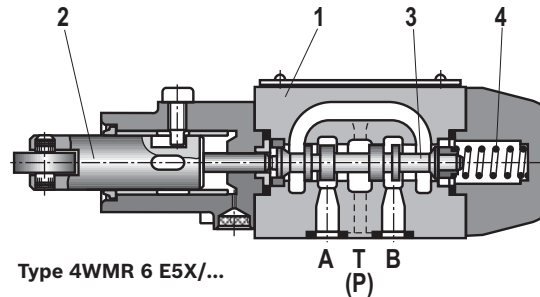
### Detent

Directional valves with rotary knob are generally designed with detent. Directional valves with hand lever are optionally available as 2 or 3 position valves with detent. Directional valves with roller plunger are generally designed without detent. If types of actuation with detent are used, each spool position can be locked, depending on the valve type.

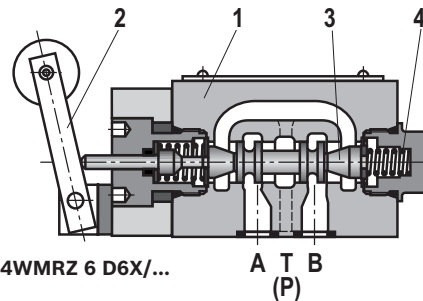
### Throttle insert

The use of a throttle insert is required when due to prevailing operating conditions, flows can occur during the switching processes, which exceed the performance limit of the valve.

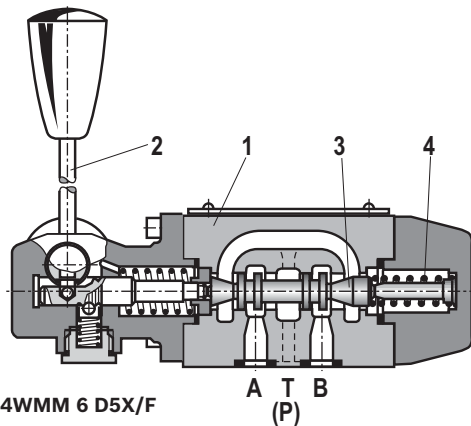
It is inserted in channel P of the directional valve.



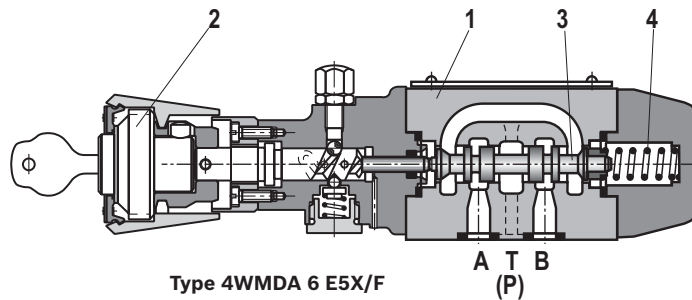
Type 4WMR 6 E5X/...



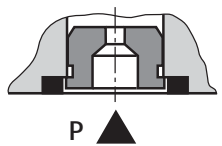
Type 4WMRZ 6 D6X/...



Type 4WMM 6 D5X/F



Type 4WMDA 6 E5X/F



Type 4WM. 6 ..5X/..B..

## Technical data

(for applications outside these parameters, please consult us!)

general		
Weight	kg [lbs]	Approx. 1.4 [3.1]
Installation position		Any
Ambient temperature range	°C [°F]	-20 ... +80 [-4 ... +176] (NBR seals) -20 ... +80 [-4 ... +176] (FKM seals)

hydraulic				
Maximum operating pressure	- Port A, B, P	bar [psi]	315 [4569]	With symbols A or B, port T must be used as leakage oil connection if the operating pressure exceeds the permissible tank pressure.
	- Port T:			
	"WMM", "WMD", "WMDA"	bar [psi]	160 [2320]	
	"WMR", "WMRZ", "WMU"	bar [psi]	60 [900]	
Maximum flow		l/min [US gpm]	60 [15.8]	
Flow cross-section (spool position 0)	- Symbol Q	mm <sup>2</sup>	Approx. 6% of nominal cross-section	
	- Symbol W	mm <sup>2</sup>	Approx. 3% of nominal cross-section	
Hydraulic fluid			See table below	
Hydraulic fluid temperature range		°C [°F]	-30 ... +80 [-22 ... +176] (NBR seals) -20 ... +80 [-4 ... +176] (FKM seals)	
Viscosity range		mm <sup>2</sup> /s [SUS]	2.8 ... 500 [35 ... 2320]	
Maximum admissible degree of contamination of the hydraulic fluid - cleanliness class according to ISO 4406 (c)			Class 20/18/15 <sup>1)</sup>	

Hydraulic fluid	Classification	Suitable sealing materials	Standards	
Mineral oils	HL, HLP, HLPD, HVL, HVLDP	NBR, FKM	DIN 51524	
	HETG	NBR, FKM	VDMA 24568	
Bio-degradable	- insoluble in water	HEES		FKM
	- soluble in water	HEPG	FKM	VDMA 24568
Flame-resistant	- water-free	HFDU, HFDR	FKM	ISO 12922
	- containing water	HFC (Fuchs Hydrotherm 46M, Petrofer Ultra Safe 620)	NBR, HNBR	ISO 12922

### Important information on hydraulic fluids!

- ▶ For more information and data on the use of other hydraulic fluids refer to data sheet 90220 or contact us!
- ▶ There may be limitations regarding the technical valve data (temperature, pressure range, life cycle, maintenance intervals, etc.)!
- ▶ The flash point of the hydraulic fluid used must be 40 K higher than the maximum solenoid surface temperature.

### ▶ Flame-resistant - containing water:

- Maximum pressure difference per control edge 50 bar
- Pressure pre-loading at the tank port > 20% of the pressure differential, otherwise increased cavitation
- Life cycle as compared to operation with mineral oil HL, HLP 50 to 100%

<sup>1)</sup> The cleanliness classes specified for the components must be adhered to in hydraulic systems. Effective filtration prevents faults and at the same time increases the life cycle of the components.  
For the selection of the filters see [www.boschrexroth.com/filter](http://www.boschrexroth.com/filter).

8/14 WMR, WMRZ, WMU, WMM, WMD(A) | Directional spool valve

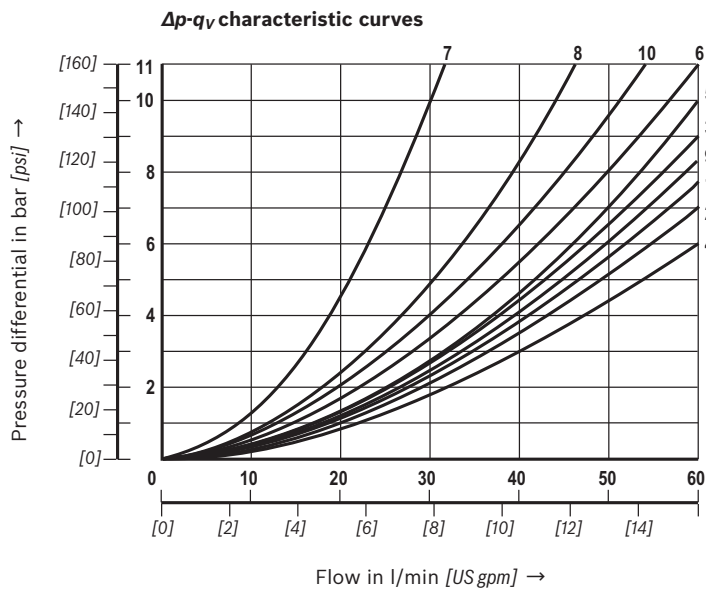
## Actuating force/torque

			Design					
			"WMR", "WMU"			"WMM"	"WMD"	"WMRZ"
Operating pressure	- Port A, B, P	bar [psi]	100 [1450]	200 [2900]	315 [4600]			315 [4600]
Actuating force at the roller plunger	- Without tank pressure	N [lbs]	100 [22.5]	112 [25.2]	121 [27.2]			30 [6.7]
	- With tank pressure	N [lbs]	184 [41.4]	196 [44.1]	205 [46.1]			160 [36]
	(Tank pressure $p_T$ max)	bar [psi]	60 bar [900 psi] - corresponds to 1.4 N [0.022 lbs] per bar [psi] of tank pressure					210 [47.2]
Maximum actuating torque		Ncm [lb-in]				-	150 [13.3]	
Actuating force	- Without tank pressure, with/without detent	N [lbs]				20 [4.5]	-	
	- At a tank pressure of 150 bar [2175 psi]	N [lbs]				30 [6.7]	-	

Calculation formula for the actuating force ( $F_R$ ) at the roller plunger in case of tank pressure:  $F_R = F_{\text{without tank pressure}} + p_T \times 1.4 \text{ N/bar}$

## Characteristic curves

(measured with HLP46,  $\vartheta_{\text{oil}} = 40 \pm 5 \text{ }^\circ\text{C}$  [104  $\pm$  9  $^\circ\text{F}$ ])



Symbols	Direction of flow			
	P-A	P-B	A-T	B-T
A	3	3	-	-
B	3	3	-	-
C	1	1	3	1
D	5	5	3	3
E	3	3	1	1
F	1	3	1	1
G	6	6	9	9
H	2	4	2	2
J	1	1	2	1
L	3	3	4	9
M	2	4	3	3
P	3	1	1	1
Q	1	1	2	1
R	5	5	4	-
T	10	10	9	9
U	3	3	9	4
V	1	2	1	1
W	1	1	2	2
Y	5	5	3	3

- 7 Symbol "R" in spool position "b" (A → B)
- 8 Symbols "G" and "T" in central position (P → T)

## Performance limits

(measured with HLP46,  $\vartheta_{oil} = 40 \pm 5 \text{ }^\circ\text{C}$  [104 ± 9 °F])

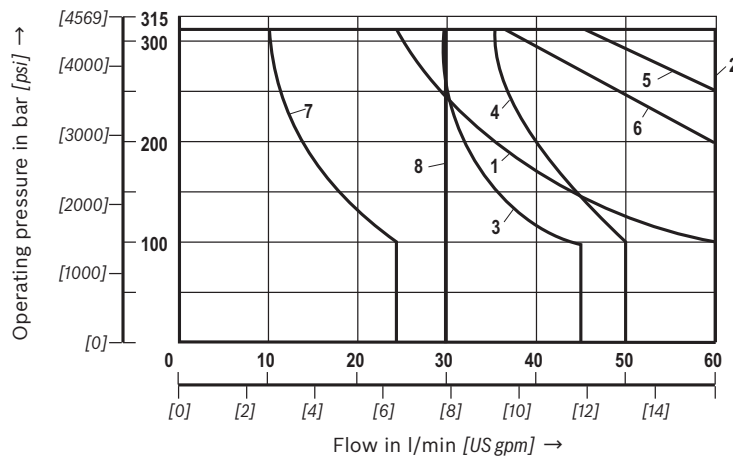
### Notice!

The specified switching power limits are valid for operation with two directions of flow (e.g. from P to A and simultaneous return flow from B to T).

Due to the flow forces acting within the valves, the permissible switching power limit may be considerably lower with only one direction of flow (e.g. from P to A while port B is blocked)!

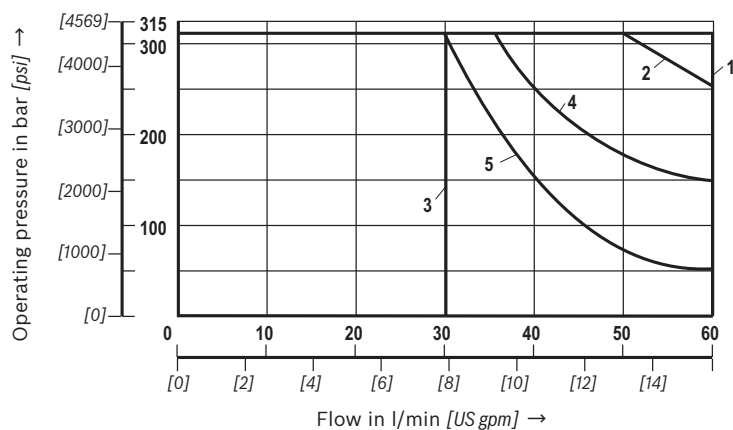
In such cases, please consult us!

Version "WMR", "WMRZ", "WMU"



Characteristic curve	Symbol
1	A, B
2	C, D, Y, E, E1-, H, M, Q, U, W
3	F, P
4	G
5	J, L
6	R
8	V
7	T

Version "WMM" - spring return



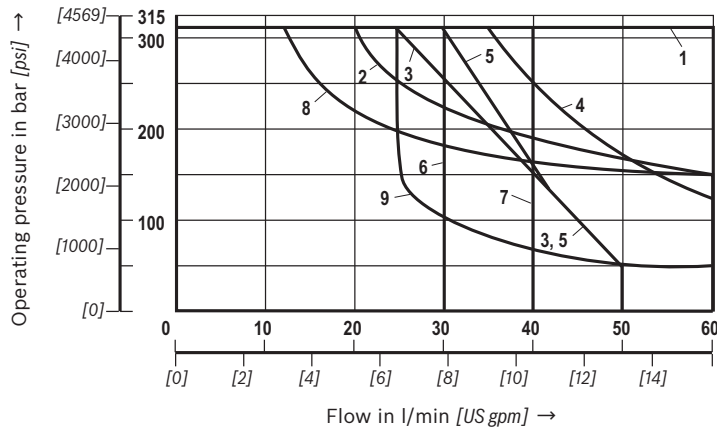
Characteristic curve	Symbol
1	E, E1-, M, J, L, Q, U, W, C, D, Y, G, H, R
2	A, B
3	V
4	F, P
5	T

10/14 WMR, WMRZ, WMU, WMM, WMD(A) | Directional pool valve

## Performance limits

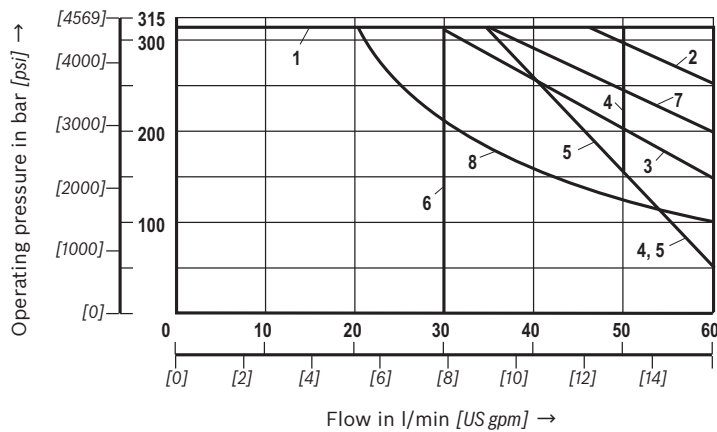
(measured with HLP46,  $\vartheta_{oil} = 40 \pm 5 \text{ }^\circ\text{C}$  [104 ± 9 °F])

Version "WMM" - with detent



Characteristic curve	Symbol
1	E1-, M, H, C, D, Y
2	E, J, Q, L, U, W
3	A, B
4	G, T
5	F
6	V
7	P
8	R
9	T

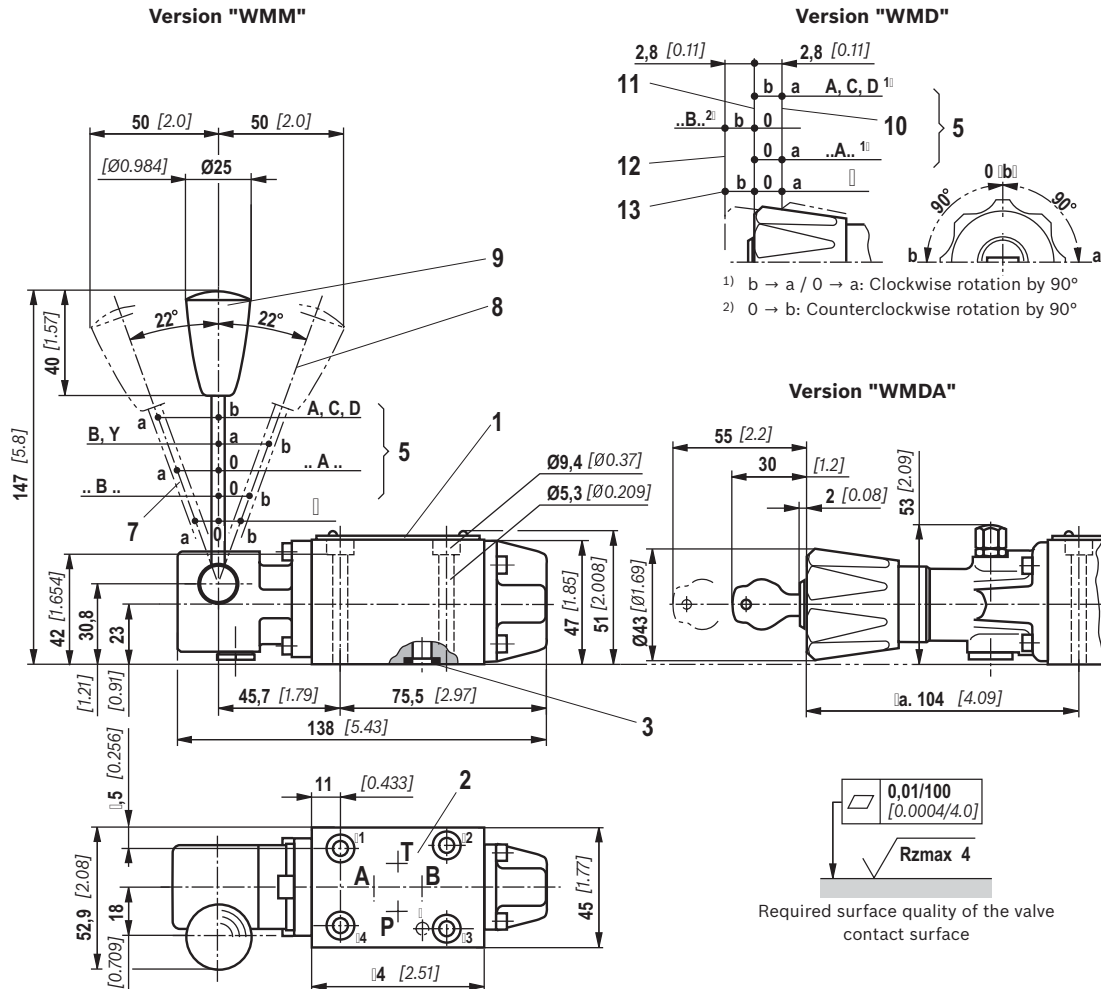
Version "WMD", "WMDA"



Characteristic curve	Symbol
1	E, E1-, M, H, C, D, Y, Q, U, W
2	J, L
3	A, B
4	G, P
5	F
6	V
7	R
8	T

## Dimensions

(dimensions in mm [inch])



- 1 Name plate
- 2 Porting pattern according to DIN 24340 form A (without locating hole), ISO 4401-03-02-0-05 and NFPA T3.5.1 R2-2002 D03 (with locating hole for locking pin ISO 8752-3x8-St, material no. **R900005694**, separate order)
- 3 Identical seal rings for ports A, B, P and T
- 5 Valve with 2 spool positions
- 6 Valve with 3 spool positions

### Version "WMM"

- 7 Spool position "a"
- 8 Spool position "b"
- 9 Spool position "0", "a" and "b" (a and b for valves with 2 spool positions)

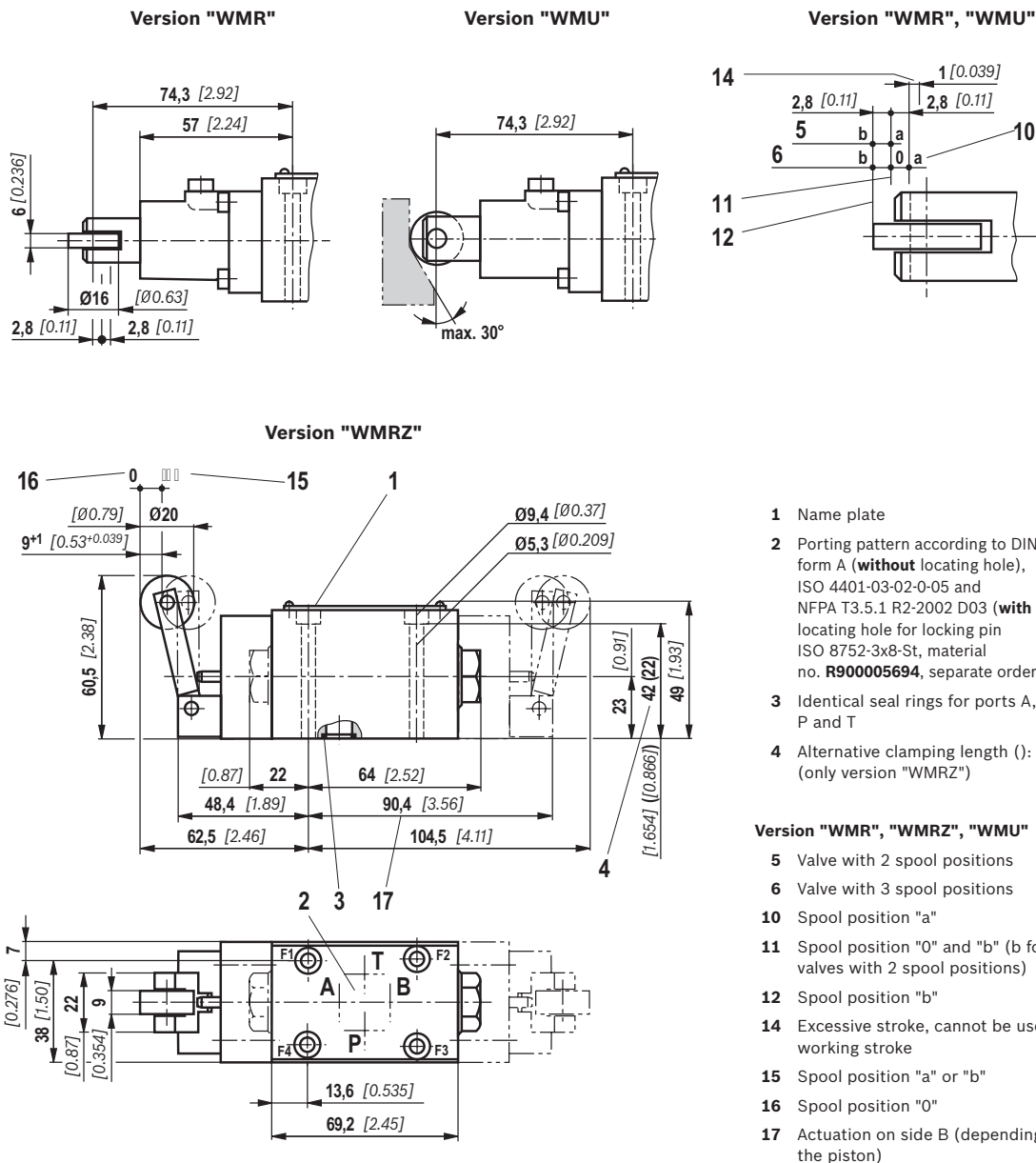
### Version "WMD", "WMDA"

- 10 Spool position "a"
- 11 Spool position "0" and "b" (b for valves with 2 spool positions)
- 12 Spool position "b"
- 13 Switching angle 90° right and 90° left (for valves with 3 spool positions)

12/14 WMR, WMRZ, WMU, WMM, WMD(A) | Directional spool valve

## Dimensions

(dimensions in mm [inch])



**Subplates and valve mounting screws**  
see page 13.

## Dimensions

**Subplates** according to data sheet 45052 (separate order)

(without locating hole)	G 341/01 (G1/4)
	G 342/01 (G3/8)
	G 502/01 (G1/2)
(with locating hole)	G 341/60 (G1/4)
	G 342/60 (G3/8)
	G 502/60 (G1/2)
	G 341/12 (SAE-6) <sup>1)</sup>
	G 342/12 (SAE-8) <sup>1)</sup>
	G 502/12 (SAE-10) <sup>1)</sup>

<sup>1)</sup> Upon request

**Valve mounting screws** (separate order)

► Clamping length 42 mm:

**4 metric hexagon socket head cap screws**

**ISO 4762 - M5 x 50 - 10.9-fIZn-240h-L**

(friction coefficient  $\mu_{\text{ges}} = 0.09$  to 0.14);  
tightening torque  $M_A = 7 \text{ Nm}$  [5.2 ft-lbs]  $\pm 10\%$ ,  
material no. **R913000064**

or

**4 hexagon socket head cap screws**

**ISO 4762 - M5 x 50 - 10.9** (not part of Rexroth delivery range)

(friction coefficient  $\mu_{\text{total}} = 0.12$  to 0.17);  
tightening torque  $M_A = 8.1 \text{ Nm}$  [6 ft-lbs]  $\pm 10\%$

**4 hexagon socket head cap screws UNC**

**10-24 UNC x 2" ASTM-A574**

(friction coefficient  $\mu_{\text{total}} = 0.19$  to 0.24);  
tightening torque  $M_A = 11 \text{ Nm}$  [8.2 ft-lbs]  $\pm 15\%$ ,  
(friction coefficient  $\mu_{\text{total}} = 0.12$  to 0.17);  
tightening torque  $M_A = 8 \text{ Nm}$  [5.9 ft-lbs]  $\pm 10\%$ ,  
material no. **R978800693**

► Clamping length 22 mm:

**4 metric hexagon socket head cap screws**

**ISO 4762 - M5 x 30 - 10.9-fIZn-240h-L**

(friction coefficient  $\mu_{\text{total}} = 0.09$  to 0.14);  
tightening torque  $M_A = 7 \text{ Nm}$  [5.2 ft-lbs]  $\pm 10\%$ ,  
material no. **R913000316**

or

**4 hexagon socket head cap screws**

**ISO 4762 - M5 x 30 - 10.9** (not part of Rexroth delivery range)

(friction coefficient  $\mu_{\text{total}} = 0.12$  to 0.17);  
tightening torque  $M_A = 8.1 \text{ Nm}$  [6 ft-lbs]  $\pm 10\%$

**4 hexagon socket head cap screws UNC**

**10-24 UNC x 1 1/4"**

(friction coefficient  $\mu_{\text{total}} = 0.19$  to 0.24);  
tightening torque  $M_A = 11 \text{ Nm}$  [8.2 ft-lbs]  $\pm 15\%$ ,  
(friction coefficient  $\mu_{\text{total}} = 0.12$  to 0.17);  
tightening torque  $M_A = 8 \text{ Nm}$  [5.9 ft-lbs]  $\pm 10\%$ ,  
material no. **R978802879**

14/14

## More information

- |  |  |
|--|--|
| ▶ Subplates  | Data sheet 45052   |
| ▶ Mineral oil-based hydraulic fluids                               | Data sheet 90220   |
| ▶ General product information on hydraulic products                | Data sheet 07008   |
| ▶ Installation, commissioning and maintenance of industrial valves | Data sheet 07300   |
| ▶ Hydraulic valves for industrial applications                     | Data sheet 07600-B   |
| ▶ Selection of the filters   | <a href="http://www.boschrexroth.com/filter">www.boschrexroth.com/filter</a> |

© This document, as well as the data, specifications and other information set forth in it, are the exclusive property of Bosch Rexroth AG. It may not be reproduced or given to third parties without its consent.

The data specified above only serve to describe the product. No statements concerning a certain condition or suitability for a certain application can be derived from our information. The information given does not release the user from the obligation of own judgment and verification. It must be remembered that our products are subject to a natural process of wear and aging.

**Bosch Rexroth AG**, RE 22280, edition: 2013-06