



## Adapter Kits

### Ordering a Manifold Adapter Kit

This connector plate kit provides a convenient method for mounting the miniBOOSTER to a manifold block.



### Ordering example: HC2 - KIT - 1

Model	KIT	Connections
your selection...	- KIT	- your selection...
HC1		1 = BSP
*HC2		2 = UNF
HC2W- KIT		
HC2D- KIT		
HC2D- H KIT	H- KIT	
HC3- KIT		
HC4		
HC5- KIT	HP- KIT	
HC5- HP- KIT-1		
HC6		
HC6D- KIT		
HC6D- H- KIT-1	H- KIT	
HC6D2- KIT		

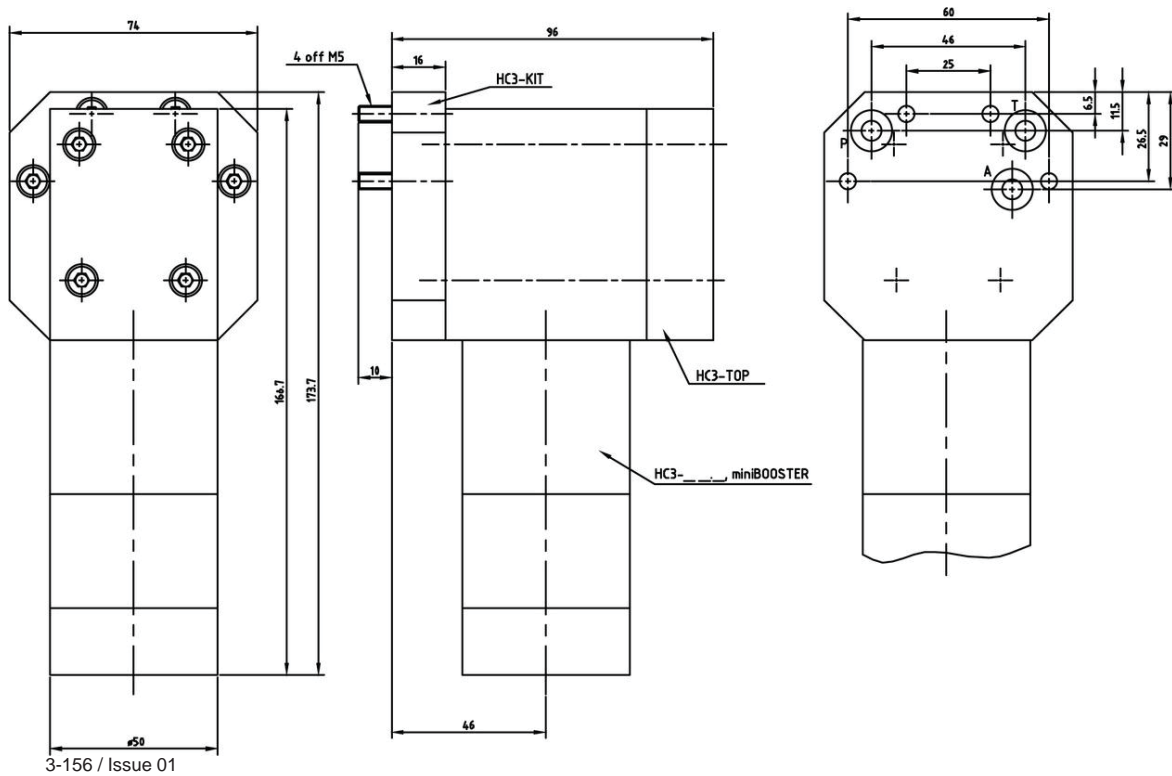
\*Applicable for HC7 + HC8:



## HC3- KIT

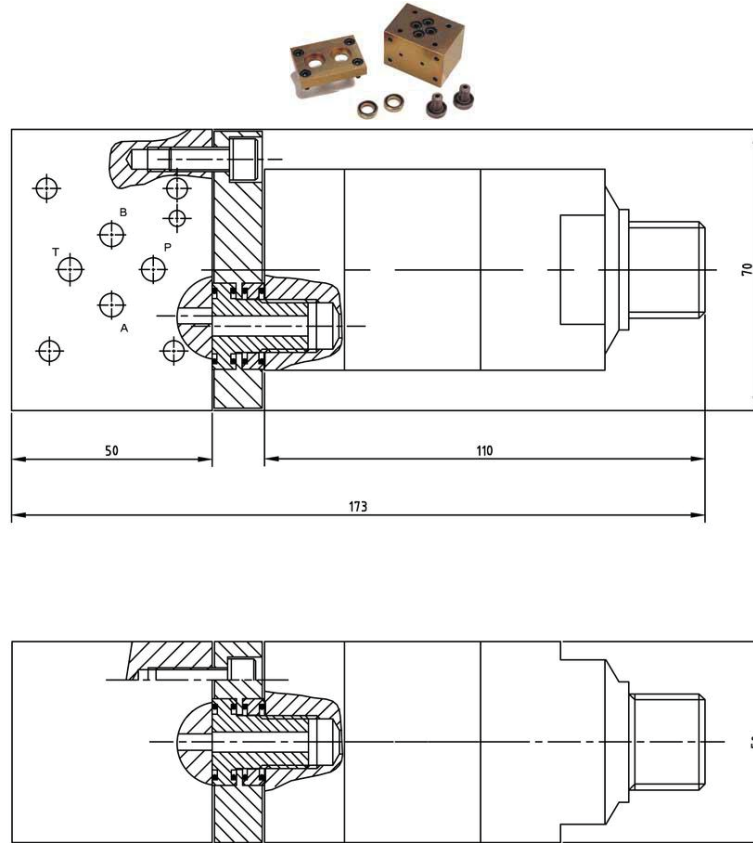
This connection provides a convenient method for mounting the standard HC3 miniBOOSTER to the "Parker SD 400" hole pattern.

The HC3- KIT allows a fast replacement of a competitor product with a standard HC3, adding the feature of an incorporated operated dump valve as a standard.



## Ordering a NG6 Adapter plate

An NG6 adapter plate is available for situations where it is required to develop the full 800 bar pressure capability of the HC2.

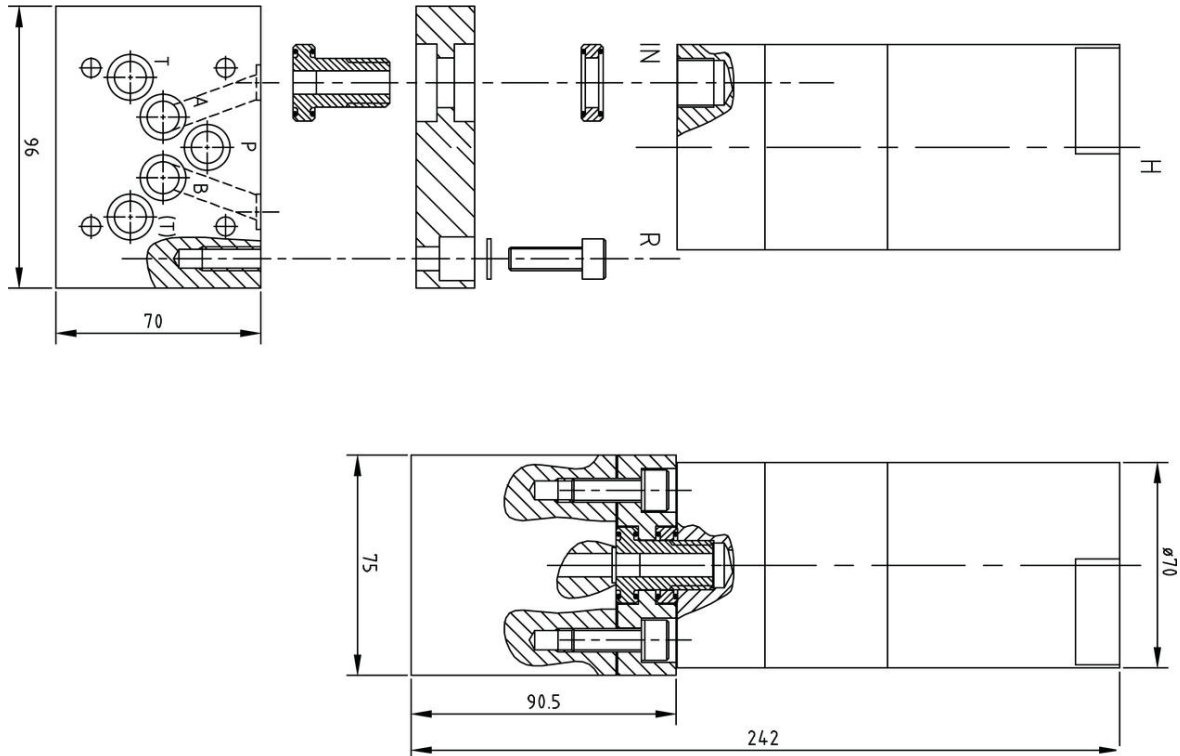


0-116

## Ordering example: HC2 - NG6 - 2

Model	NG6	Connections
your selection...	- NG6 -	your selection...
		1 = 1/4" BSP
		2 = 7/16-20 UNF

## Ordering a NG10 Adapter plate



An NG10 adapter plate is available for situations where it is required to develop the full 800 bar pressure capability of the HC4.

Model	NG10	Connections
your selection...	NG10	your selection...
		1 = 3/8" BSP
		2 = 9/16-18 UNF

## Ordering a HC3 Top plate

HC3 Top connects P -> A and T -> B on a HC3 miniBOOSTER or on a NG6 Adapter Plate.



Ordering example: HC3- Top

## Ordering nuts and brackets



### Order no.

your selection...

2-673

2-674

### Product

M24 nut

Mounting bracket for HC1 & HC2