



## Valve Housing CV1



The miniBOOSTER valve housing is used for mounting various accessory components directly to the miniBOOSTER. This saves space and reduces the cost of using stand alone components for these functions. The valve housing and components selected will be factory mounted, tested and sized based on the model of miniBOOSTER selected. Housing material, aluminum.

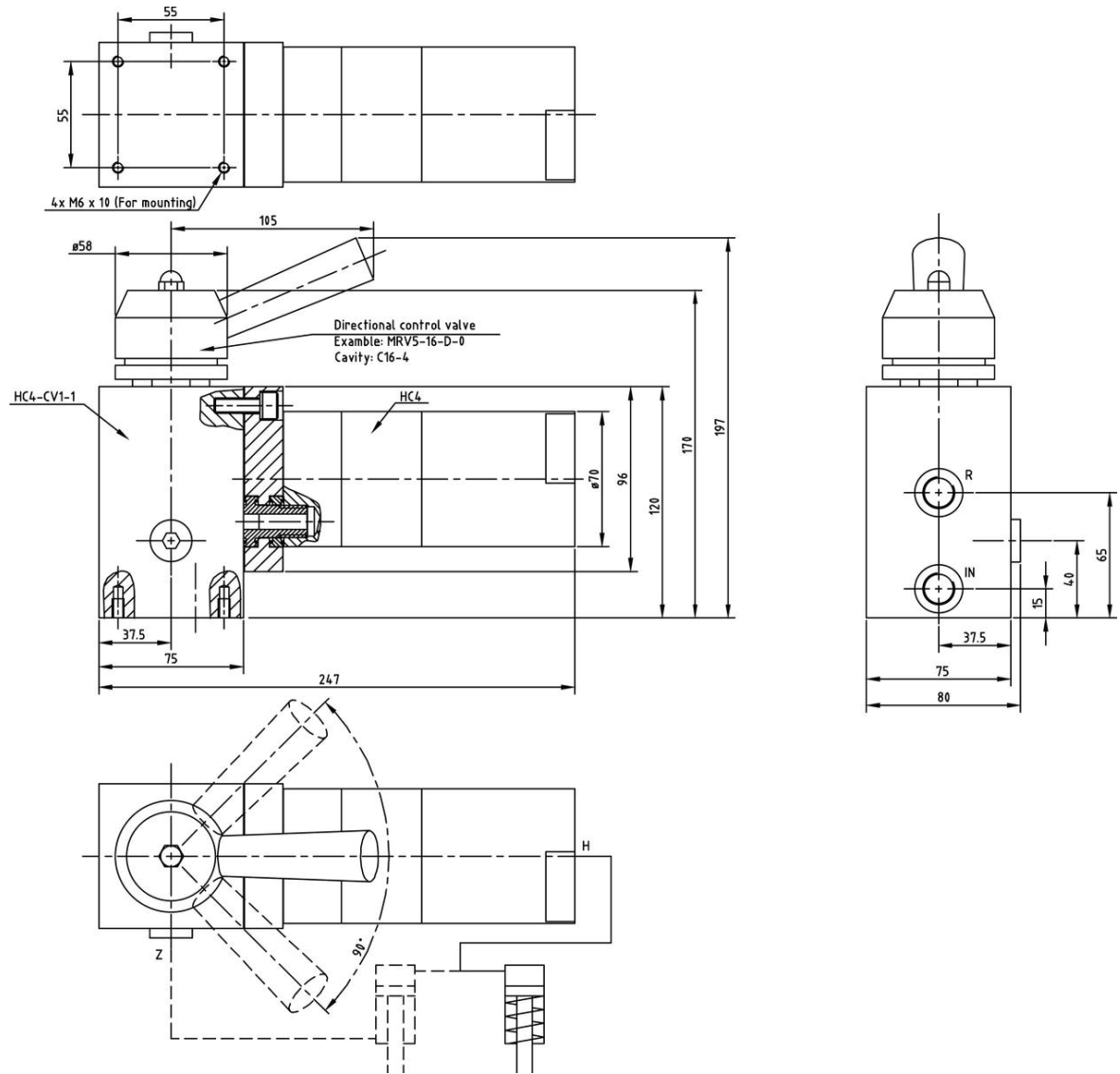
### Description

The CV1 is a cartridge style directional valve which can be directly mounted to the miniBOOSTER. It is made for use with cartridges conforming to the C-10-4 standard. Both manual operated and solenoid operated valves are available.

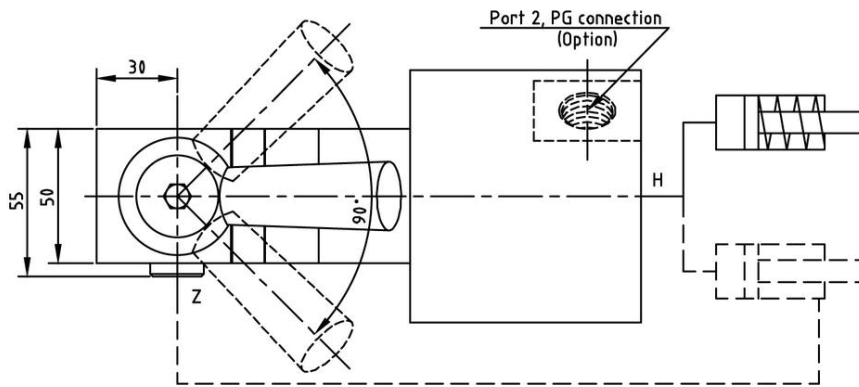
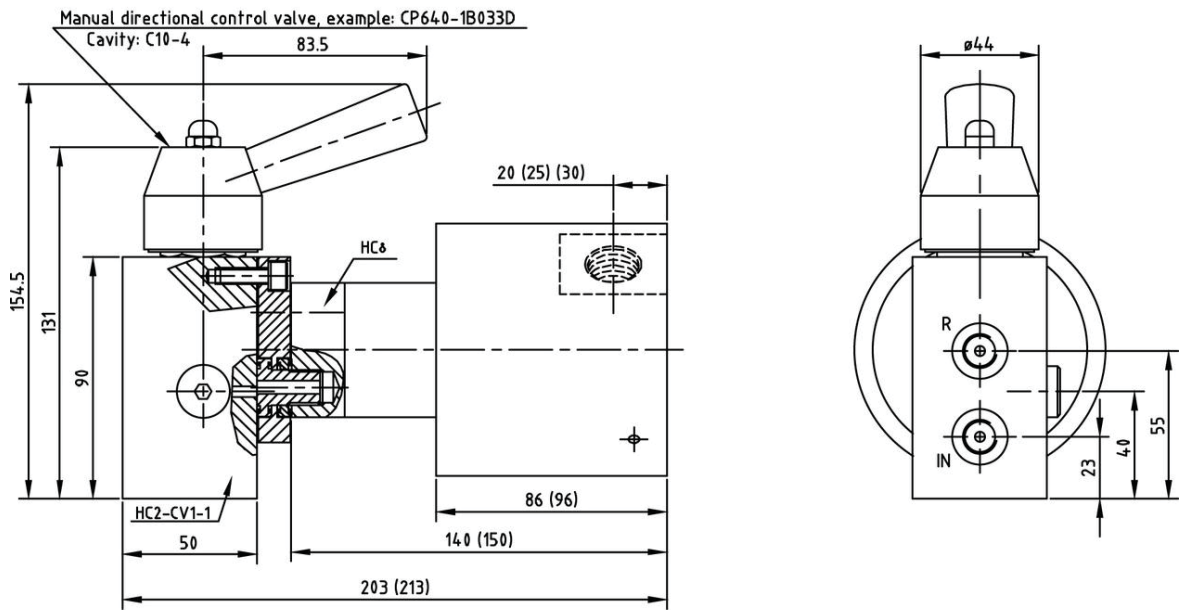
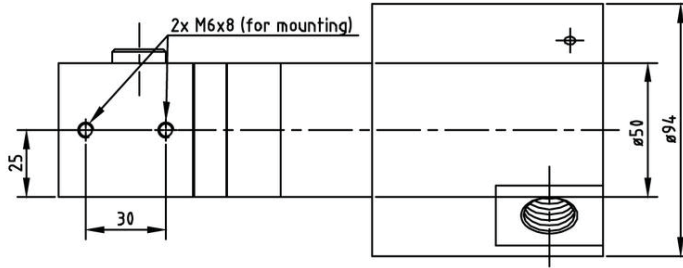




## Dimensions (valve housing CV1 for HC4)

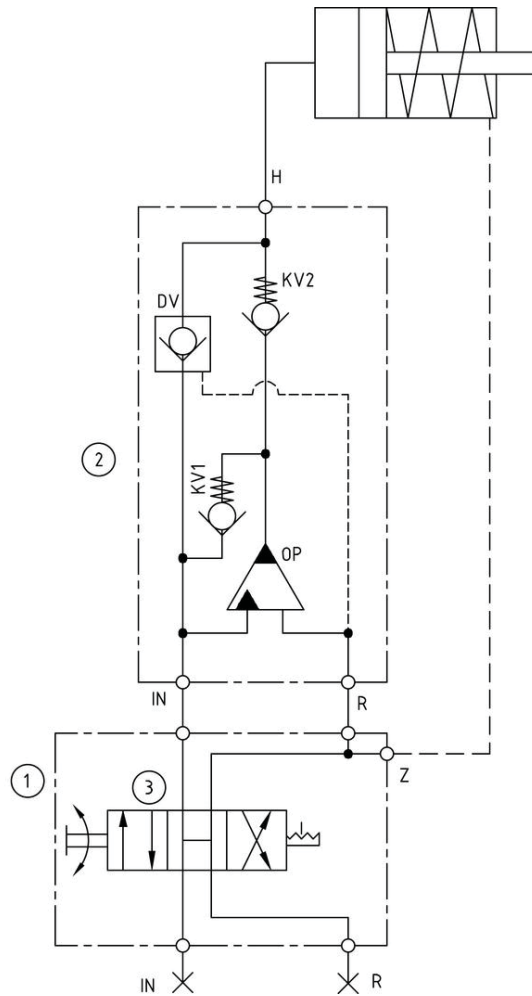


**Dimensions (valve housing CV1 for HC8)**



0-314

## Functions



Function Diagram – please see: Manual Operated Valves or Electronically Operated Valves

## Ordering a valve housing CV1 for HC2

Example of ordering a complete unit:  
1 off Valve housing HC2 – CV1 – 1  
1 off 4/3 Manual Cartridge valve CP640-1B0033D, cavity: C10-4  
1 off miniBOOSTER HC2 – 4.0 – B – 1

Model	Valve House	Connections
your selection...	CV1	your selection...
For HC2, HC7 and HC8		1 = 1/4" BSP
		2 = 7/16 - 20 UNF
HC4		1 = 3/8" BSP
		2 = 9/16 - 18 UNF

