

CLS-Series, High Tonnage Cylinders

ENERPAC
POWERFUL SOLUTIONS. GLOBAL FORCE.

▼ Shown from left to right: CLS-1002, CLS-506, CLS-502



- **Lowest collapsed height for use in confined spaces**
- **Overflow port functions as a stroke limiter**
- **Plunger wiper reduces contamination, extending cylinder life**
- **Interchangeable, hardened grooved saddles are standard**
- **Special synthetic coating for improved corrosion resistance and lower friction for smoother operation**
- **CR-400 coupler and dust cap included on all models**
- **Single-acting, load return.**

▼ CLS-cylinders doing their job, synchronised lifting a complete fly-over for exact positioning.



The Single-Acting Heavy Lifting Solution With Reduced Collapsed Height



Saddles

All CLS cylinders are equipped with bolt-on removable grooved saddles. For information on optional tilt saddles, see selection chart.



Gauges

Minimize the risk of overloading and ensure long, dependable service from your equipment.

Contact HYQUIP for more information



Remote Lifting

For heavy lifting in remote locations use the Enerpac Z-Class electric pumps.



Low Height - High Tonnage

When low height with high force is required, **CLP-Series Pancake Cylinders** with locknut offer the solution to lift the first few centimetres.




Synchronous Lifting Systems

The solution for multiple lift point capabilities from 4 to 64 points.

Single-Acting, High Tonnage Cylinders

▼ QUICK SELECTION CHART

For complete technical information see next page.

Cylinder Capacity ton (kN)	Stroke (mm)	Model Number	Cylinder Effective Area (cm ²)	Oil Capacity (cm ³)	Collapsed Height (mm)	 (kg)
50 (496)	50	CLS-502	70,9	355	128	14
	100	CLS-504	70,9	709	178	18
	150	CLS-506	70,9	1064	228	23
	200	CLS-508	70,9	1418	278	28
	250	CLS-5010	70,9	1773	327	33
	300	CLS-5012	70,9	2127	378	38
100 (929)	50	CLS-1002	132,7	664	143	24
	100	CLS-1004	132,7	1327	193	32
	150	CLS-1006	132,7	1991	243	40
	200	CLS-1008	132,7	2654	293	49
	250	CLS-10010	132,7	3318	343	58
	300	CLS-10012	132,7	3981	392	66
150 (1390)	50	CLS-1502	198,6	993	165	43
	100	CLS-1504	198,6	1986	215	55
	150	CLS-1506	198,6	2979	265	69
	200	CLS-1508	198,6	3972	315	82
	250	CLS-15010	198,6	4965	365	95
	300	CLS-15012	198,6	5958	414	108
200 (1859)	50	CLS-2002	265,6	1330	193	66
	150	CLS-2006	265,6	3989	293	101
	300	CLS-20012	265,6	7977	443	154
250 (2562)	50	CLS-2502	366,1	1832	193	90
	150	CLS-2506	366,1	5496	293	137
	300	CLS-25012	366,1	10996	443	208
300 (3193)	50	CLS-3002	456,2	2281	235	137
	150	CLS-3006	456,2	6843	335	198
	300	CLS-30012	456,2	13710	485	288
400 (3919)	50	CLS-4002	559,9	2800	265	200
	150	CLS-4006	559,9	8399	365	275
	300	CLS-40012	559,9	16770	515	390
500 (5118)	50	CLS-5002	731,1	3656	295	289
	150	CLS-5006	731,1	10967	395	390
	300	CLS-50012	731,1	21900	545	540
600 (5983)	50	CLS-6002	854,8	4277	310	350
	150	CLS-6006	854,8	12830	410	465
	300	CLS-60012	854,8	25710	560	640
800 (8238)	50	CLS-8002	1176,9	5882	355	549
	150	CLS-8006	1176,9	17645	455	709
	300	CLS-80012	1176,9	35370	605	950
1000 (10260)	50	CLS-10002	1466,4	7329	385	729
	150	CLS-10006	1466,4	21986	485	921
	300	CLS-100012	1466,4	43950	635	1210

CLS Series



Capacity:

50 - 1000 ton

Stroke:

50 - 300 mm

Maximum Operating Pressure:

700 bar



Higher Capacities

1500 and 2000 ton models are available on request.

Additional Stroke Lengths

Models above 150 ton are also available with standard stroke lengths of 100, 200 and 250 mm. Please contact HYQUIP for ordering information.



Lifting an Unbalanced Load?

Contact HYQUIP for multi-cylinder set-ups.



Optional features

To add optional features to your cylinders, add the following suffix to the end of the model number.

Spring return

E001

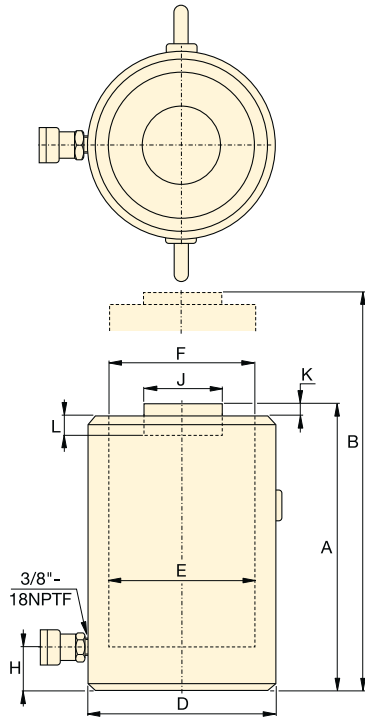
Example:

- For CLS-5006 cylinder with spring return, order: **CLS-5006E001**

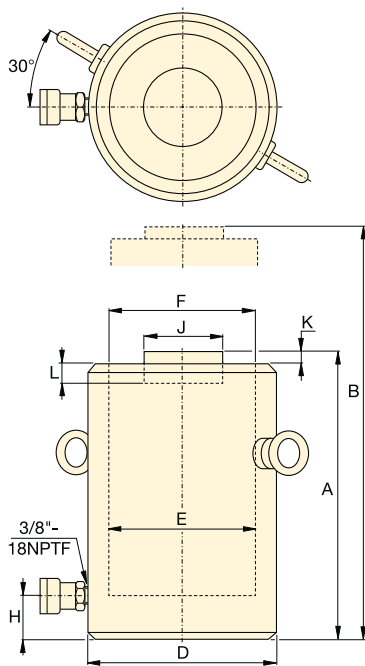
Technical specifications for these features are available from HYQUIP

CLS-Series, High Tonnage Cylinders

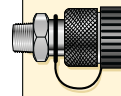
ENERPAC
POWERFUL SOLUTIONS. GLOBAL FORCE.



CLS-502 - CLS-25012



CLS-3002 - CLS-100012



Couplers Included!

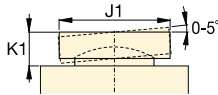
CR-400 couplers included on all models. Fit all HC-Series hoses.

◀ For full features see previous page.

Cylinder Capacity ton (kN)	Stroke (mm)	Model Number	Cylinder Effective Area (cm ²)	Oil Capacity (cm ³)
50 (496)	50	CLS-502	70,9	355
	100	CLS-504	70,9	709
	150	CLS-506	70,9	1064
	200	CLS-508	70,9	1418
	250	CLS-5010	70,9	1773
	300	CLS-5012	70,9	2127
100 (929)	50	CLS-1002	132,7	664
	100	CLS-1004	132,7	1327
	150	CLS-1006	132,7	1991
	200	CLS-1008	132,7	2654
	250	CLS-10010	132,7	3318
	300	CLS-10012	132,7	3981
150 (1390)	50	CLS-1502	198,6	993
	100	CLS-1504	198,6	1986
	150	CLS-1506	198,6	2979
	200	CLS-1508	198,6	3972
	250	CLS-15010	198,6	4965
	300	CLS-15012	198,6	5958
200 (1859)	50	CLS-2002	265,6	1330
	150	CLS-2006	265,6	3989
	300	CLS-20012	265,6	7977
250 (2562)	50	CLS-2502	366,1	1832
	150	CLS-2506	366,1	5496
	300	CLS-25012	366,1	10996
300 (3193)	50	CLS-3002	456,2	2281
	150	CLS-3006	456,2	6843
	300	CLS-30012	456,2	13710
400 (3919)	50	CLS-4002	559,9	2800
	150	CLS-4006	559,9	8399
	300	CLS-40012	559,9	16770
500 (5118)	50	CLS-5002	731,1	3656
	150	CLS-5006	731,1	10967
	300	CLS-50012	731,1	21900
600 (5983)	50	CLS-6002	854,8	4277
	150	CLS-6006	854,8	12830
	300	CLS-60012	854,8	25710
800 (8238)	50	CLS-8002	1176,9	5882
	150	CLS-8006	1176,9	17645
	300	CLS-80012	1176,9	35370
1000 (10260)	50	CLS-10002	1466,4	7329
	150	CLS-10006	1466,4	21986
	300	CLS-100012	1466,4	43950

Single-Acting, High Tonnage Cylinders

Optional Tilt Saddle *




Capacity:
50 - 1000 ton

Stroke:
50 - 300 mm

Maximum Operating Pressure:
700 bar

CLS Series



Collapsed Height A (mm)	Extended Height B (mm)	Outside Dia. D (mm)	Cylinder Bore Dia. E (mm)	Plunger Dia. F (mm)	Base to Adv. Port H (mm)	Standard Saddle Dia. J (mm)	Saddle Protr. from Plgr. K (mm)	Depth of Plunger Hole L (mm)	 (kg)	Model Number	* Optional Tilt Saddle		
											Saddle Dia. J1 (mm)	Saddle Height K1 (mm)	Saddle Model Number
128	178	125	95,0	95,0	30	71	2	13	14	CLS-502	71	24	CAT-100
178	278	125	95,0	95,0	30	71	2	13	18	CLS-504	71	24	CAT-100
228	378	125	95,0	95,0	30	71	2	13	23	CLS-506	71	24	CAT-100
278	478	125	95,0	95,0	30	71	2	13	28	CLS-508	71	24	CAT-100
327	578	125	95,0	95,0	30	71	2	13	33	CLS-5010	71	24	CAT-100
378	678	125	95,0	95,0	30	71	2	13	38	CLS-5012	71	24	CAT-100
143	193	165	130,0	130,0	30	71	2	13	24	CLS-1002	71	24	CAT-100
193	293	165	130,0	130,0	30	71	2	13	32	CLS-1004	71	24	CAT-100
243	393	165	130,0	130,0	30	71	2	13	40	CLS-1006	71	24	CAT-100
293	493	165	130,0	130,0	30	71	2	13	49	CLS-1008	71	24	CAT-100
343	593	165	130,0	130,0	30	71	2	13	58	CLS-10010	71	24	CAT-100
392	693	165	130,0	130,0	30	71	2	13	66	CLS-10012	71	24	CAT-100
165	215	205	159,0	159,0	39	130	2	25	43	CLS-1502	130	20	CAT-200
215	315	205	159,0	159,0	39	130	2	25	55	CLS-1504	130	20	CAT-200
265	415	205	159,0	159,0	39	130	2	25	69	CLS-1506	130	20	CAT-200
315	515	205	159,0	159,0	39	130	2	25	82	CLS-1508	130	20	CAT-200
365	615	205	159,0	159,0	39	130	2	25	95	CLS-15010	130	20	CAT-200
414	715	205	159,0	159,0	39	130	2	25	108	CLS-15012	130	20	CAT-200
193	243	235	183,9	183,9	50	130	2	25	66	CLS-2002	130	20	CAT-200
293	443	235	183,9	183,9	50	130	2	25	101	CLS-2006	130	20	CAT-200
443	743	235	183,9	183,9	50	130	2	25	154	CLS-20012	130	20	CAT-200
193	243	275	215,9	215,9	50	150	2	25	90	CLS-2502	150	21	CAT-250
293	443	275	215,9	215,9	50	150	2	25	137	CLS-2506	150	21	CAT-250
443	743	275	215,9	215,9	50	150	2	25	208	CLS-25012	150	21	CAT-250
235	285	310	241,0	241,0	59	139	5	25	137	CLS-3002	195	75	CAT-300
335	485	310	241,0	241,0	59	139	5	25	198	CLS-3006	195	75	CAT-300
485	785	310	241,0	241,0	59	139	5	25	288	CLS-30012	195	75	CAT-300
265	315	350	267,0	267,0	70	159	5	25	200	CLS-4002	225	85	CAT-400
365	515	350	267,0	267,0	70	159	5	25	275	CLS-4006	225	85	CAT-400
515	815	350	267,0	267,0	70	159	5	25	390	CLS-40012	225	85	CAT-400
295	345	400	305,1	305,1	80	179	5	25	289	CLS-5002	250	91	CAT-500
395	545	400	305,1	305,1	80	179	5	25	390	CLS-5006	250	91	CAT-500
545	845	400	305,1	305,1	80	179	5	25	540	CLS-50012	250	91	CAT-500
310	360	430	329,9	329,9	85	194	5	25	350	CLS-6002	275	96	CAT-600
410	560	430	329,9	329,9	85	194	5	25	465	CLS-6006	275	96	CAT-600
560	860	430	329,9	329,9	85	194	5	25	640	CLS-60012	275	96	CAT-600
355	405	505	387,1	387,1	100	224	5	25	549	CLS-8002	320	123	CAT-800
455	605	505	387,1	387,1	100	224	5	25	709	CLS-8006	320	123	CAT-800
605	905	505	387,1	387,1	100	224	5	25	950	CLS-80012	320	123	CAT-800
385	435	560	432,1	432,1	110	249	5	25	729	CLS-10002	360	136	CAT-1000
485	635	560	432,1	432,1	110	249	5	25	921	CLS-10006	360	136	CAT-1000
635	935	560	432,1	432,1	110	249	5	25	1210	CLS-100012	360	136	CAT-1000