

RE 28 389-M/09.00

RE 28 389-M/09.00



2-way flow control valve, sea water resistant Type 2FRM ...J

Nominal sizes 10 and 16
Series 3X

Features of the sea water resistant version

When compared to the standard version the following modifications have been carried out:

- The external metal components have been zinc galvanised or the external components of the pressure compensator, stroke limiter and check valve are made from a non-rusting material.
- Sea water resistance is identified by the code „J“ in the ordering code.

Note:

Valve fixing screws must be ordered separately.

Nominal size 10: 4 off M8 x 50, DIN 912-10.9 A3C or NEL¹⁾; $M_A = 37$ Nm; Material number: **00012009**.

Nominal size 16: 4 off M10 x 80, DIN 912-10.9 A3C or NEL¹⁾; $M_A = 75$ Nm; Material number: **00024508**.

¹⁾ The code „NEL“ stands for „non-electrolytically applied zinc coatings“ which contain a lubrication additive for the reduction of friction in accordance with ISO/WD 10683. Colour: silver.

Further information can be obtained from the standard documentaion.

Ordering details

| 2FR | M | -3X/ | | J | V | * | | | | | | | | | | | | | | |
|---|---|------|--|---|---|---|------------------|-----------|---------------|---------------|---------------------|----------------------|----------------------|---|----------------------|--|----------------------|------------------------|----------------------|------------------------|
| 2-way flow control valve | | | | | | | | | | | | | | | | | | | | |
| Mechanical actuation = M | | | | | | | | | | | | | | | | | | | | |
| Nominal size 10 = 10 | | | | | | | | | | | | | | | | | | | | |
| Nominal size 16 = 16 | | | | | | | | | | | | | | | | | | | | |
| Series 30 to 39 = 3X (30 to 39: unchanged installation and connection dimensions) | | | | | | | | | | | | | | | | | | | | |
| <table border="1"> <thead> <tr> <th colspan="2">Flow range A → B</th> </tr> <tr> <th>NS 10; linear</th> <th>NS 16; linear</th> </tr> </thead> <tbody> <tr> <td>Up to 10 L/min = 5L</td> <td>Up to 50 L/min = 50L</td> </tr> <tr> <td>Up to 10 L/min = 10L</td> <td>Up to 60 L/min = 60L</td> </tr> <tr> <td>Up to 16 L/min = 16L</td> <td>Up to 80 L/min = 80L</td> </tr> <tr> <td>Up to 25 L/min = 25L</td> <td>Up to 100 L/min = 100L</td> </tr> <tr> <td>Up to 35 L/min = 35L</td> <td>Up to 160 L/min = 160L</td> </tr> </tbody> </table> | | | | | | | Flow range A → B | | NS 10; linear | NS 16; linear | Up to 10 L/min = 5L | Up to 50 L/min = 50L | Up to 10 L/min = 10L | Up to 60 L/min = 60L | Up to 16 L/min = 16L | Up to 80 L/min = 80L | Up to 25 L/min = 25L | Up to 100 L/min = 100L | Up to 35 L/min = 35L | Up to 160 L/min = 160L |
| Flow range A → B | | | | | | | | | | | | | | | | | | | | |
| NS 10; linear | NS 16; linear | | | | | | | | | | | | | | | | | | | |
| Up to 10 L/min = 5L | Up to 50 L/min = 50L | | | | | | | | | | | | | | | | | | | |
| Up to 10 L/min = 10L | Up to 60 L/min = 60L | | | | | | | | | | | | | | | | | | | |
| Up to 16 L/min = 16L | Up to 80 L/min = 80L | | | | | | | | | | | | | | | | | | | |
| Up to 25 L/min = 25L | Up to 100 L/min = 100L | | | | | | | | | | | | | | | | | | | |
| Up to 35 L/min = 35L | Up to 160 L/min = 160L | | | | | | | | | | | | | | | | | | | |
| <table border="1"> <tbody> <tr> <td>No code =</td> <td>NBR seals</td> </tr> <tr> <td>V =</td> <td>FKM seals</td> </tr> <tr> <td>J =</td> <td>Sea water resistant</td> </tr> <tr> <td>No code =</td> <td>Without pressure compensator – stroke limiter</td> </tr> <tr> <td>B =</td> <td>With pressure compensator – stroke limiter</td> </tr> </tbody> </table> | | | | | | | No code = | NBR seals | V = | FKM seals | J = | Sea water resistant | No code = | Without pressure compensator – stroke limiter | B = | With pressure compensator – stroke limiter | | | | |
| No code = | NBR seals | | | | | | | | | | | | | | | | | | | |
| V = | FKM seals | | | | | | | | | | | | | | | | | | | |
| J = | Sea water resistant | | | | | | | | | | | | | | | | | | | |
| No code = | Without pressure compensator – stroke limiter | | | | | | | | | | | | | | | | | | | |
| B = | With pressure compensator – stroke limiter | | | | | | | | | | | | | | | | | | | |
| NS 10; progressive | | | | | | | | | | | | | | | | | | | | |
| Up to 16 L/min = 16Q | | | | | | | | | | | | | | | | | | | | |
| Up to 25 L/min = 25Q | | | | | | | | | | | | | | | | | | | | |

2FRM 10/16 ...J

1/4



RE 28 389-M/09.00

Preferred types

| Preferred types | |
|------------------|-----------------|
| Type | Material number |
| 2FRM 10-3X/10LBJ | 00448303 |
| 2FRM 10-3X/10LJ | 00344343 |
| 2FRM 10-3X/16LBJ | 00354594 |
| 2FRM 10-3X/16LJ | 00499624 |
| 2FRM 10-3X/16LJV | 00362811 |
| 2FRM 10-3X/16QJ | 00344318 |
| 2FRM 10-3X/25LBJ | 00389455 |
| 2FRM 10-3X/25LJ | 00494447 |
| 2FRM 10-3X/25LJV | 00331067 |
| 2FRM 10-3X/25QJV | 00451502 |
| 2FRM 10-3X/35LBJ | 00497430 |
| 2FRM 10-3X/35LJ | 00586236 |
| 2FRM 10-3X/35LJV | 00584877 |

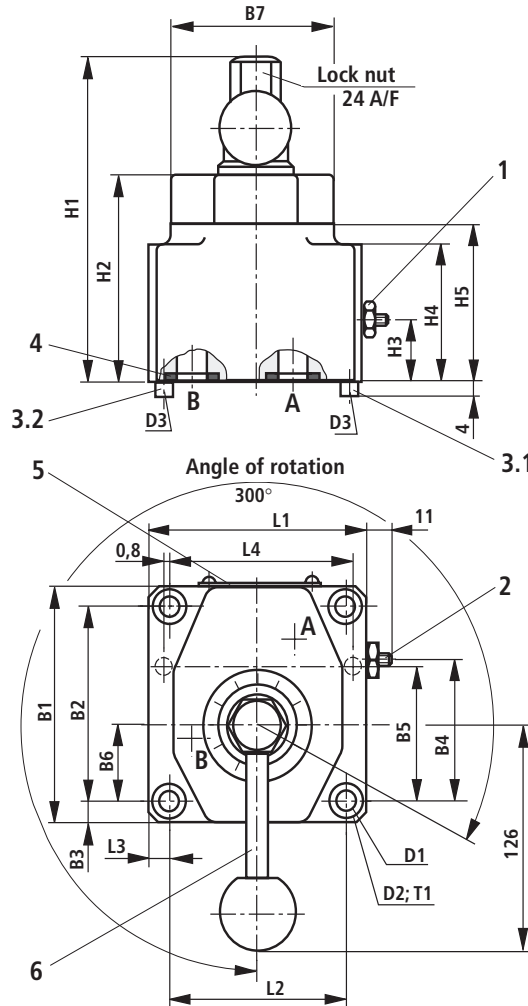
| Preferred types | |
|--------------------|-----------------|
| Type | Material number |
| 2FRM 10-3X/5LBJ | 00488841 |
| 2FRM 10-3X/50LBJ | 00411045 |
| 2FRM 10-3X/50LBJV | 00533609 |
| 2FRM 10-3X/50LJ | 00466286 |
| 2FRM 16-3X/100LBJ | 00411378 |
| 2FRM 16-3X/100LJ | 00433570 |
| 2FRM 16-3X/160LBJ | 00416601 |
| 2FRM 16-3X/160LBJV | 00534016 |
| 2FRM 16-3X/160LJ | 00463601 |
| 2FRM 16-3X/60LBJ | 00411046 |
| 2FRM 16-3X/60LJ | 00498326 |
| 2FRM 16-3X/80LJ | 00414597 |

RE 28 389-M/09.00

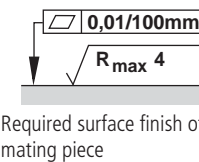
Unit dimensions: type FRM / mech. actuation lever with knob

(Dimensions in mm)

NS 10 and NS 16



| Dim. | NS 10 | NS 16 |
|------|-------|-------|
| B1 | 101.5 | 123.5 |
| B2 | 82.5 | 101.5 |
| B3 | 9.5 | 11.0 |
| B4 | 58.8 | 70.5 |
| B5 | 58.7 | 72.9 |
| B6 | 35.5 | 41.5 |
| B7 | 80 | 80 |
| D1 | 9 | 11 |
| D2 | 15 | 18 |
| D3 | 6 | 6 |
| H1 | 137 | 159 |
| H2 | 81 | 103 |
| H3 | 26 | 34 |
| H4 | 51 | 72 |
| H5 | 58 | 80 |
| L1 | 95 | 123.5 |
| L2 | 76 | 101.5 |
| L3 | 9.5 | 11 |
| L4 | 79.4 | 102.4 |
| T1 | 13 | 12 |



- 1 Hexagon 10 A/F
- 2 Internal hexagon 3 A/F
- 3.1 Locating pin (NS 10 and NS 16)
- 3.2 Locating pin (NS 16)
- 4 R-ring 18.64 x 3.53 x 3.53 (NS 10)
R-ring 26.58 x 3.53 x 3.53 (NS 16)
- 5 Name plate
- 6 Lever with knob

Subplates to catalogue sheet RE 45 066.

Subplates for:

- Nom. size 10 G 279/01 (G 1/2)
G 280/01 (G 3/4)
- Nom. size 16 G 281/01 (G 1)
G 282/01 (G 1 1/4)

RE 28 389-M/09.00

Notes

The specified data is for product description purposes only and may not be deemed to be guaranteed unless expressly confirmed in the contract.

All rights reserved – Subject to revision