



Valve Housing CV5 – with Sequence Valve



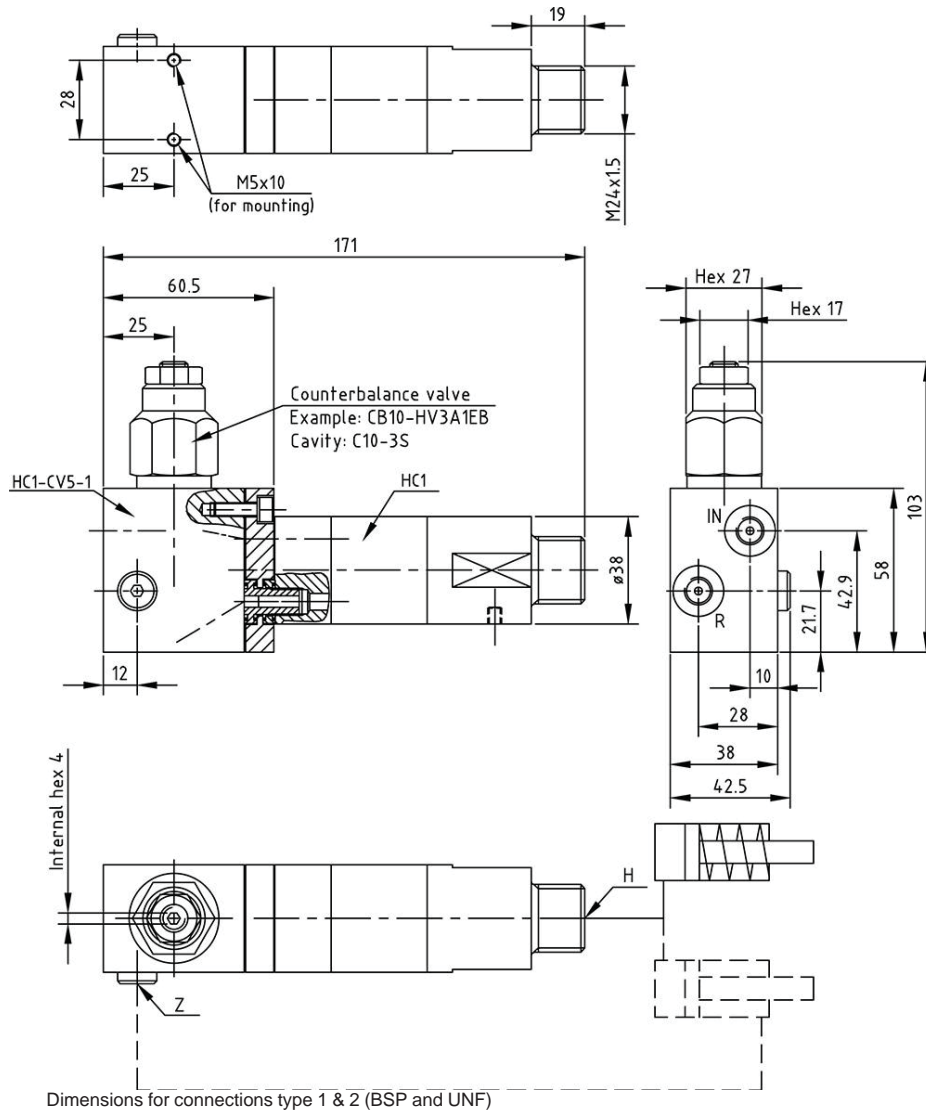
The miniBOOSTER valve housing is used for mounting various accessory components directly to the miniBOOSTER. This saves space and reduces the cost of using stand alone components for these functions. The valve housing and components selected will be factory mounted, tested and sized based on the model of miniBOOSTER selected. Housing material, aluminum.

Description

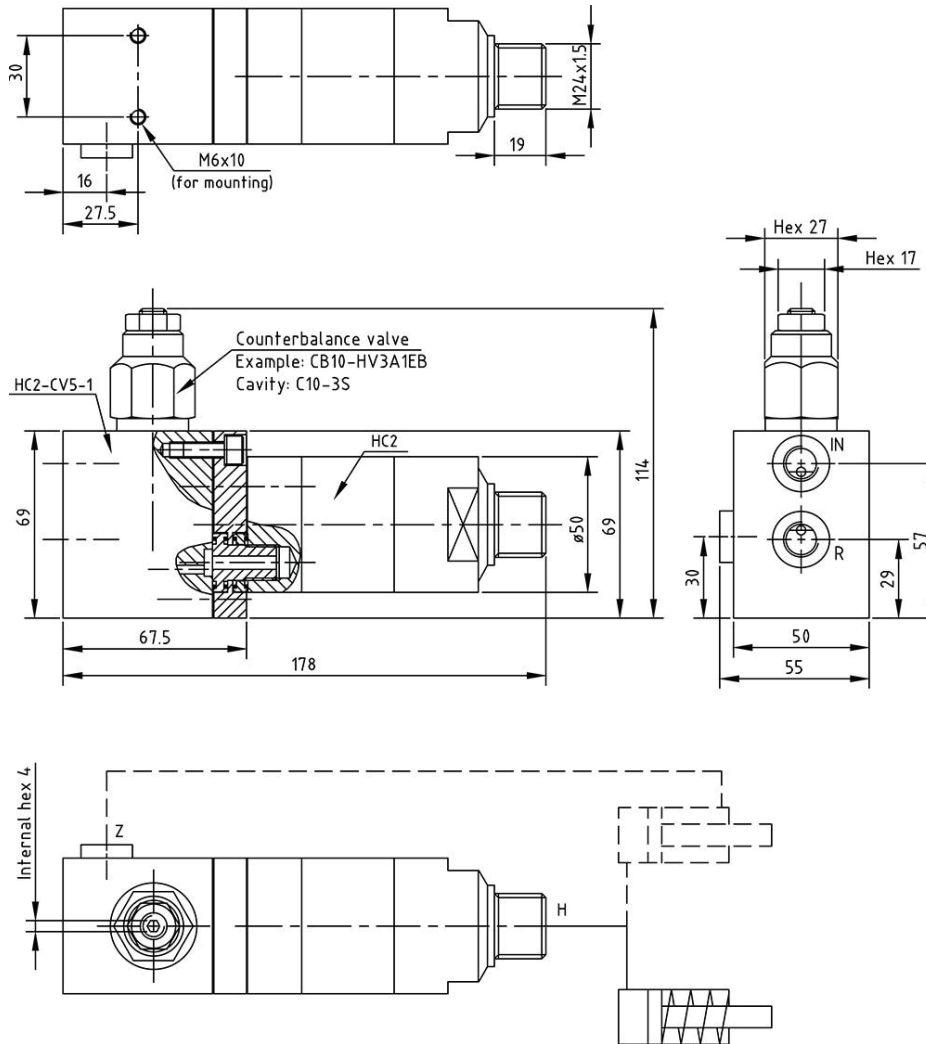
The CV5 incorporates a sequence valve which allows fast forward movement of a cylinder, by directing the full inlet flow to pass directly through the miniBOOSTER until the set pressure has been reached. Hereafter the sequence valve opens and the booster starts oscillating. The unit will automatically stall when end pressure on high pressure side H is reached.



valve housing CV5 for HC1



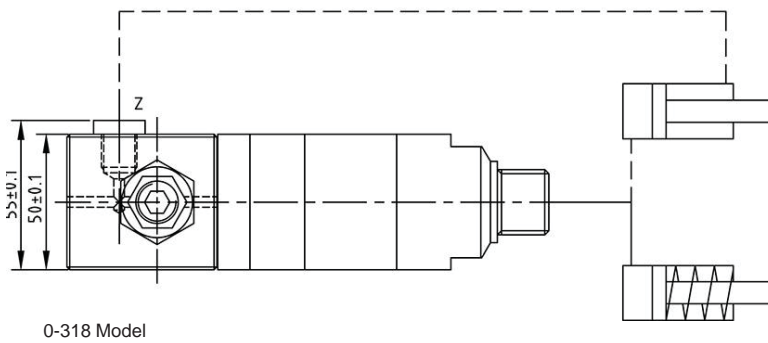
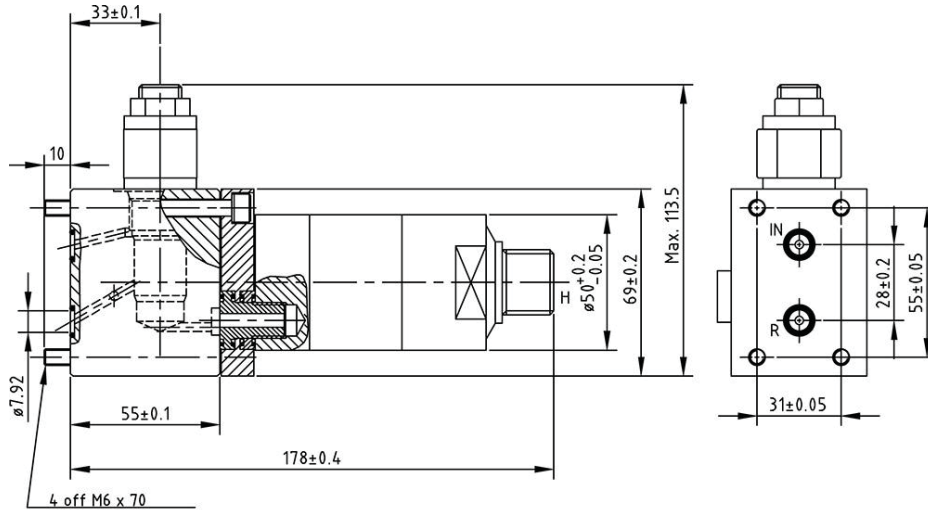
valve housing CV5 for HC2



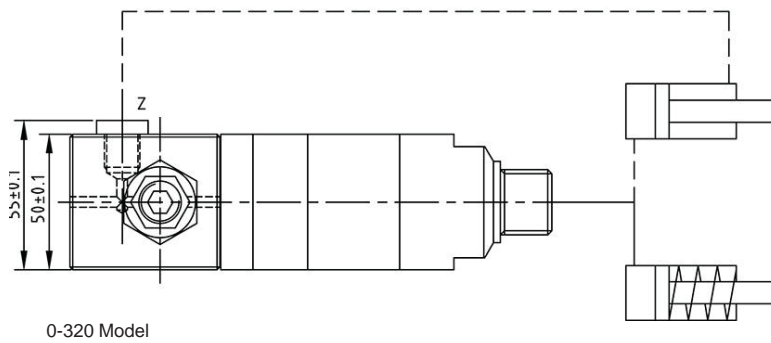
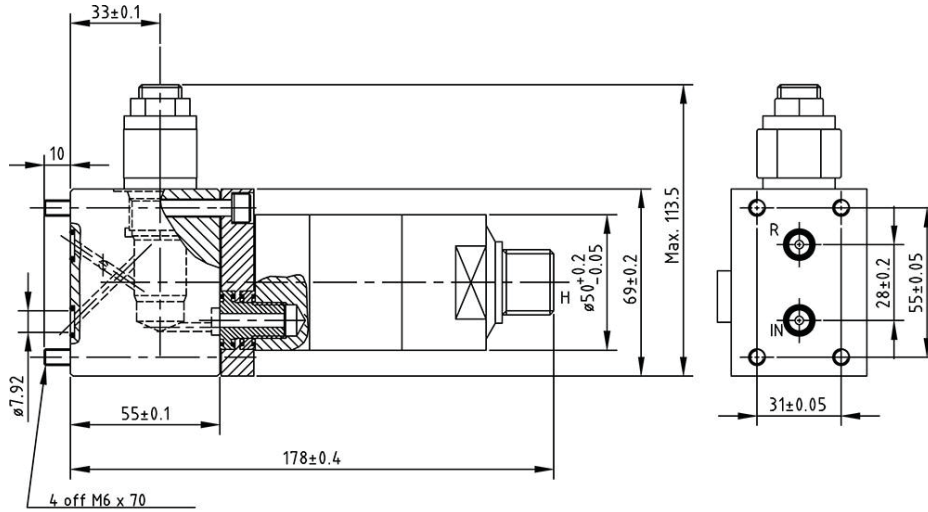
Dimensions for connections type 1 & 2 (BSP and UNF)

The miniBOOSTER valve housing is used for mounting various accessory components directly to the miniBOOSTER. This saves space and reduces the cost of using stand alone components for these functions. The valve housing and components selected will be factory mounted, tested and sized based on the model of miniBOOSTER selected. Housing material, aluminum.

Dimensions for connection type 3 (flange straight)

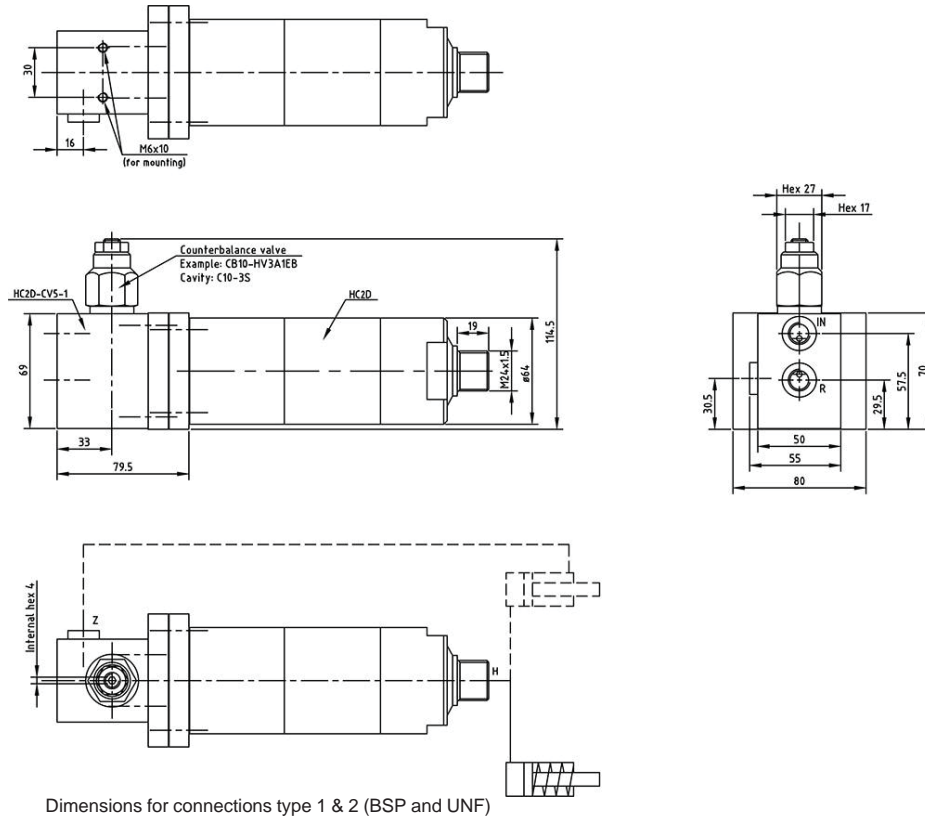


Dimensions for connection type 4 (flange crossed)

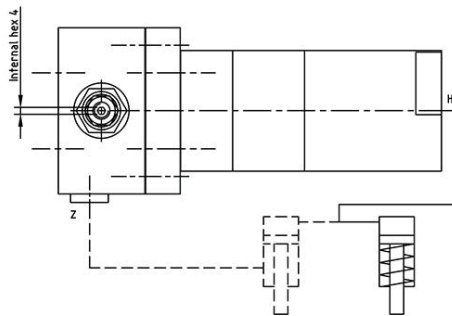
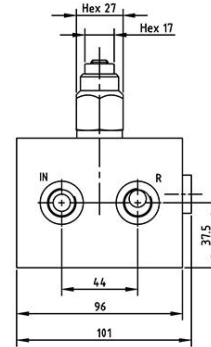
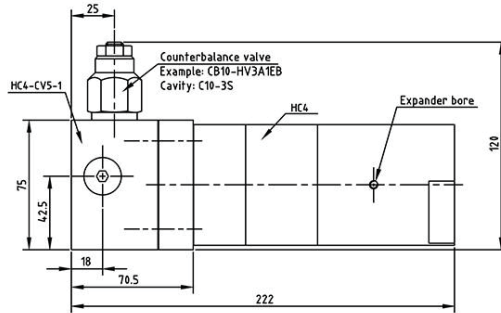
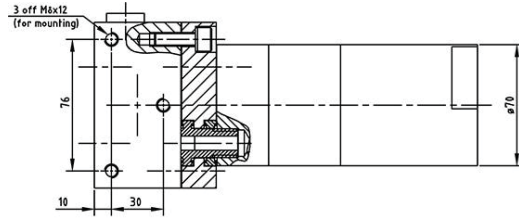


0-320 Model

valve housing CV5 for HC2D

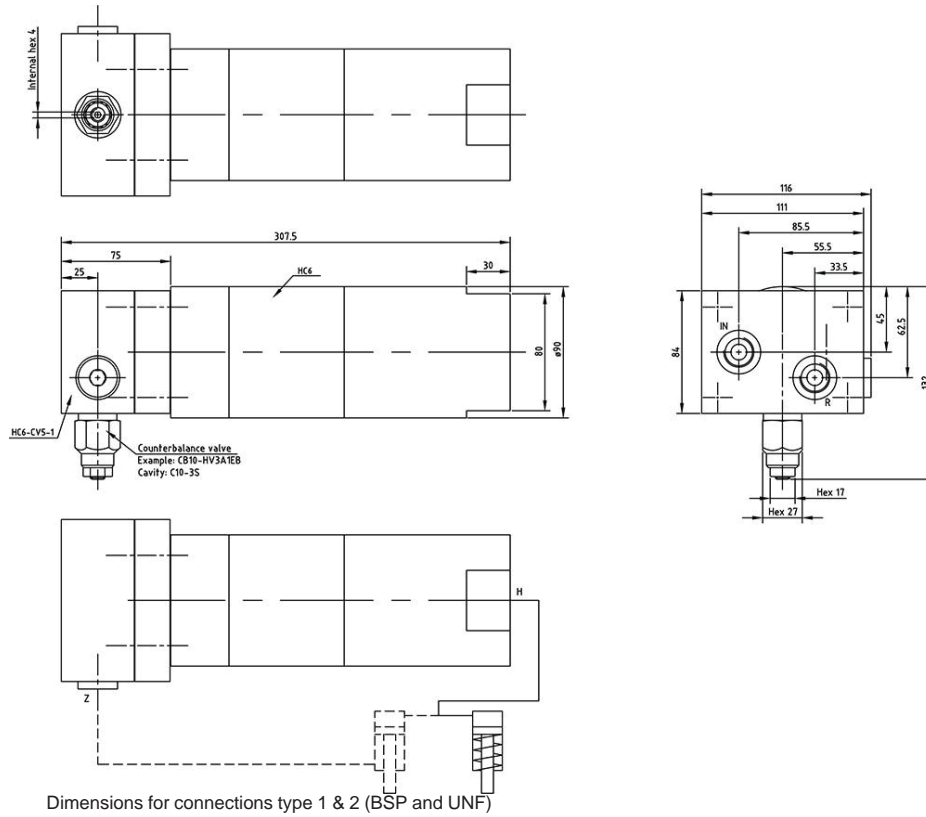


valve housing CV5 for HC4

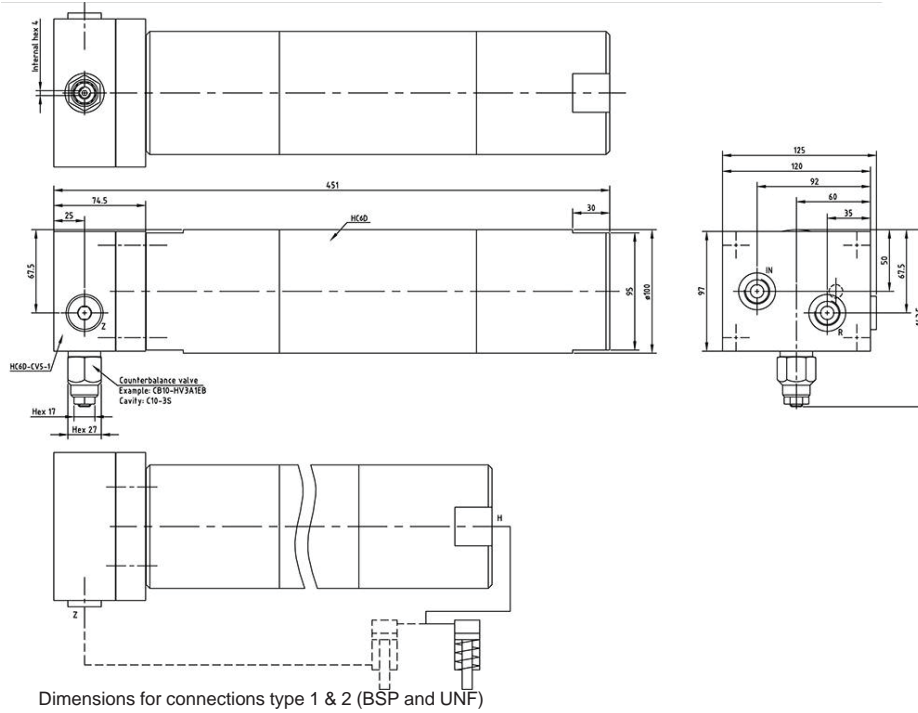


Dimensions for connections type 1 & 2 (BSP and UNF)

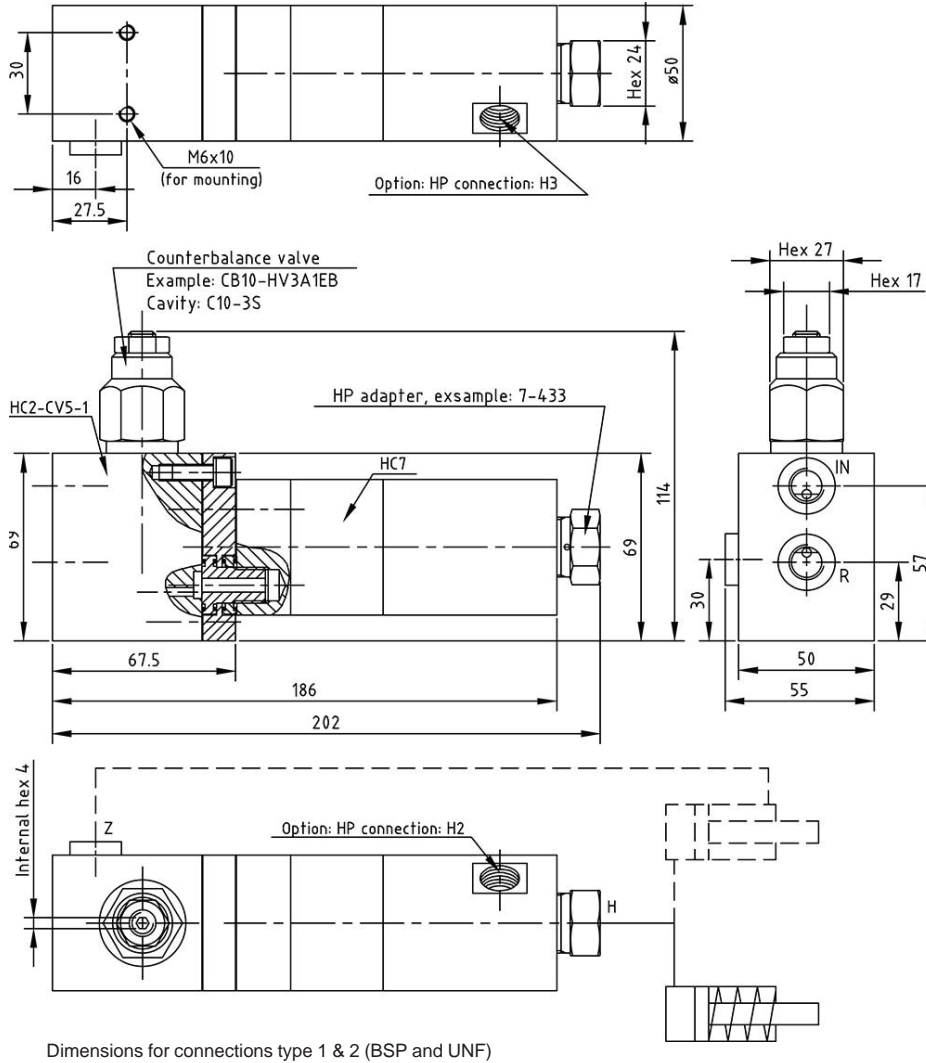
valve housing CV5 for HC6



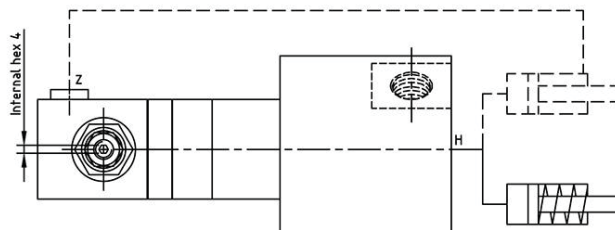
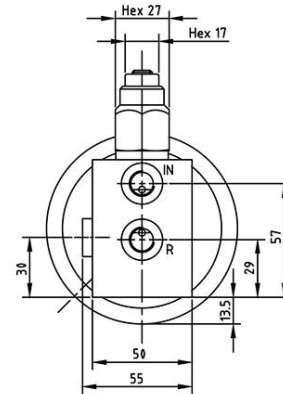
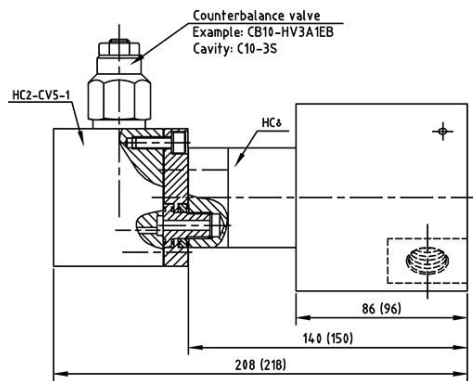
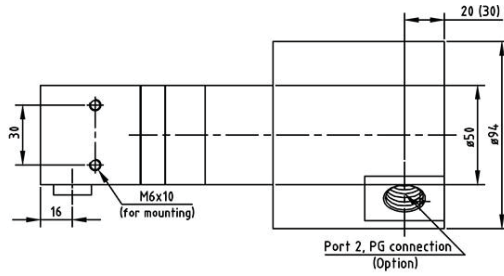
valve housing CV5 for HC6D



valve housing CV5 for HC7

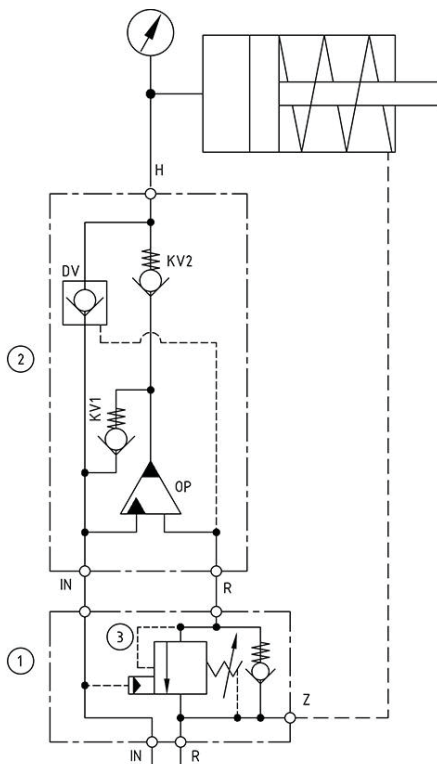


valve housing CV5 for HC8



Dimensions for connections type 1 & 2 (BSP and UNF)

Functions



Function Diagram 1. Housing 2. Sequence Valve (C10-3S Style) 3. HC2, HC2D, HC4, HC6, HC6D, HC7 or HC8

Ordering a valve housing CV5

Example of ordering a complete unit:
 1 off Valve housing HC2 – CV5 – 1
 1 off Sequence valve CB10- HV3A1EB, cavity: C10-3S
 1 off miniBOOSTER HC2 – 4.0 – B – 1

Model	Valve House	Connections
your selection...	CV5	your selection...
HC1		1 = 1/4" BSP
For HC2, HC7 and HC8		1 = 1/4" BSP 2 = 7/16 - 20 UNF 3 = Flange straight 4 = Flange crossed
HC2D		1 = 1/4" BSP
HC4		1 = 3/8" BSP
HC6 and HC6D		1 = 1/2" BSP

