



Industrial Filters · Accumulators

Inline Filter with Basket

16/40 FKE 25/400 – 16 FKE 500/2500

16/40 FFE 25/400 – 16 FFE 500/2500

Duplex Filter with Basket

16/40 FKD 25/400 – 16 FKD 500/2500

16/40 FFD 25/400 – 16 FFD 500/2500



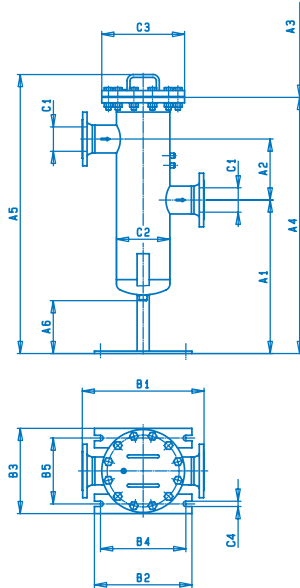
*One design
for a wide range of
Working Pressures
Flow Rates
Temperatures and
Applications*

*Operating Pressure 16, 40 bar
Connection up to DN 500*



Quality assured!

Dimensions



Type	Capacity in l	Weight in kg ¹⁾	A1	A2	A3 ²⁾	A4
16 FKE/FFE 25/400	5,2	28	380	155	400	635
40 FKE/FFE 25/400		32				
16 FKE/FFE 50/550	8,6	36	335	210	450	668
40 FKE/FFE 50/550		44				
16 FKE/FFE 80/600	12	41	540	650	868	
40 FKE/FFE 80/600		48				
16 FKE/FFE 80/1500	32	68	650	230		
40 FKE/FFE 80/1500	33	88	630	250	700	1053
16 FKE/FFE 100/1500		70				
40 FKE/FFE 100/1500	55	93	465	435	840	1130
16 FKE/FFE 150/2500		99				
40 FKE/FFE 150/2500		145				

bigger sizes on request

Type	A5	A6	B1	B2	B3	B4	B5
16 FKE/FFE 25/400	723	150	300	300	244	250	164
40 FKE/FFE 25/400	727						
16 FKE/FFE 50/550	758	137	330	300	270	190	
40 FKE/FFE 50/550	762						
16 FKE/FFE 80/600	958	962	350	500	350	270	
40 FKE/FFE 80/600	962						
16 FKE/FFE 80/1500	1145	1157	222	500	400	350	270
40 FKE/FFE 80/1500	1157						
16 FKE/FFE 100/1500	1145	1157	222	560	403	323	
40 FKE/FFE 100/1500	1157						
16 FKE/FFE 150/2500	1224	1236	192	560	403	323	
40 FKE/FFE 150/2500	1236						

bigger sizes on request

Type	C1 Connection	C2	C3	C4	Number of Baskets
16 FKE/FFE 25/400	DN 25	Ø 114,3	Ø 220		1
40 FKE/FFE 25/400			Ø 235		
16 FKE/FFE 50/550	DN 50	Ø 139,7	Ø 250		1
40 FKE/FFE 50/550			Ø 270		
16 FKE/FFE 80/600	DN 80	Ø 219,1	Ø 250		1
40 FKE/FFE 80/600			Ø 270		
16 FKE/FFE 80/1500	DN 80	Ø 219,1	Ø 340		1
40 FKE/FFE 80/1500			Ø 375		
16 FKE/FFE 100/1500	DN 100	Ø 219,1	Ø 340		1
40 FKE/FFE 100/1500			Ø 375		
16 FKE/FFE 150/2500	DN 150	Ø 273	Ø 405		1
40 FKE/FFE 150/2500			Ø 450		

bigger sizes on request

¹⁾ = Weight including standard filter element and maintenance indicator
²⁾ = Servicing height for filter element replacement

Application

Filtration of oil, water and water based fluids, aggressive fluids in chemical and petrochemical installations, in the heavy industry, in the power generation industry and the ship building industry.

Design and Accessories

The whole series is available as inline filter and duplex filter. All filters have a basket or a star pleated basket inside. The duplex filters up to ND100 have a ball valve combination with integrated pressure equalisation line. The bigger sizes have a change over with butterfly valves.



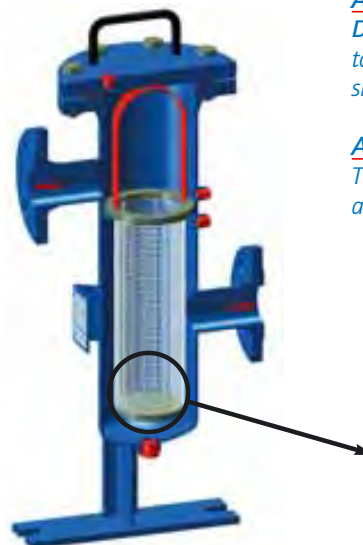
Materials

The complete series is available in steel, plastic coated and stainless steel.

Advantages

Advantage 1

Direction of flow from the inside to the outside for all types and sizes



Advantages for the User

The dirt remains in the basket and can not reach the clean side



Advantage 2

For all materials – steel, plastic coated, stainless steel – same dimension and same appearance for every size

Advantages for the user

For changed requirement in the process the filter can be replaced without change of the pipe work

Advantage 3

Easy change of the basket when the cover is open

Advantages for the user

No bolt, no repositioning, no aligning of the basket, no contact with the fluid required by user



Advantage 4

Different filter media from slotted tube, perforated sheet and wire mesh up to star pleated filter elements without change of the filter housing

Advantages for the user

The change of values like filter media/filter area is possible at any time, e. g. flush of the system/increase of the life time



Advantage 5

Low variations of baskets for a wide range of filter-sizes, different kind of fluids, pressures, flow rates and temperatures

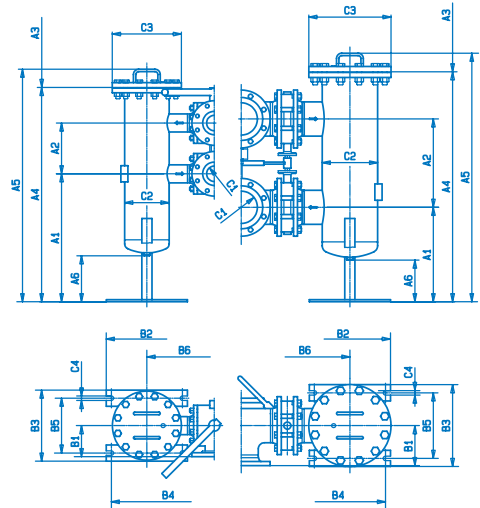
Advantages for the user

High reliability, there is only one filter design to maintain less stock keeping of spare elements

Dimensions

16 FKD/FFD 25/400
40 FKD/FFD 25/400
16 FKD/FFD 50/550
40 FKD/FFD 50/550
16 FKD/FFD 80/600
40 FKD/FFD 80/600
16 FKD/FFD 80/1500
40 FKD/FFD 80/1500
16 FKD/FFD 100/1500
40 FKD/FFD 100/1500

16 FKD/FFD 150/2500



Type	Capacity in l	Weight in kg ¹⁾	A1	A2	A3 ²⁾	A4
16 FKD/FFD 25/400	2 x 6	69	380	155	400	635
40 FKD/FFD 25/400		77				
16 FKD/FFD 50/550	2 x 9,5	98	335	210	450	668
40 FKD/FFD 50/550		114				
16 FKD/FFD 80/600	2 x 13	108	540	650	868	
40 FKD/FFD 80/600		122				
16 FKD/FFD 80/1500	2 x 32	209	650	230	700	1053
40 FKD/FFD 80/1500		249				
16 FKD/FFD 100/1500	2 x 33	214	630	250	700	1053
40 FKD/FFD 100/1500		260				
16 FKD/FFD 150/2500	2 x 55	308	465	435	840	1130

bigger sizes on request

Type	A5	A6	B1	B2	B3	B4	B5
16 FKD/FFD 25/400	723	150	92,5	686	244	636	164
40 FKD/FFD 25/400	727						
16 FKD/FFD 50/550	758	137	149	742	270	692	190
40 FKD/FFD 50/550	762						
16 FKD/FFD 80/600	958	159	762	712			
40 FKD/FFD 80/600	962						
16 FKD/FFD 80/1500	1145	227	155	1064	350	1014	270
40 FKD/FFD 80/1500	1157						
16 FKD/FFD 100/1500	1145	227	199	1470	403	1420	323
40 FKD/FFD 100/1500	1157						
16 FKD/FFD 150/2500	1224	206	199	1470	403	1420	323

bigger sizes on request

Type	B6	C1 Connection	C2	C3	C4	Number of baskets
16 FKD/FFD 25/400	386	DN 25	Ø 114,3	Ø 220		
40 FKD/FFD 25/400				Ø 235		
16 FKD/FFD 50/550	442	DN 50	Ø 139,7	Ø 250		
40 FKD/FFD 50/550				Ø 270		
16 FKD/FFD 80/600	462	DN 80	Ø 177,8	Ø 250	22	2 x 1
40 FKD/FFD 80/600				Ø 270		
16 FKD/FFD 80/1500	664	DN 100	Ø 219,1	Ø 340		
40 FKD/FFD 80/1500				Ø 375		
16 FKD/FFD 100/1500	664	DN 100	Ø 219,1	Ø 340		
40 FKD/FFD 100/1500				Ø 375		
16 FKD/FFD 150/2500	1070	DN 150	Ø 273	Ø 405		

bigger sizes on request

¹⁾ = Weight including standard filter element and maintenance indicator
²⁾ = Servicing height for filter element replacement

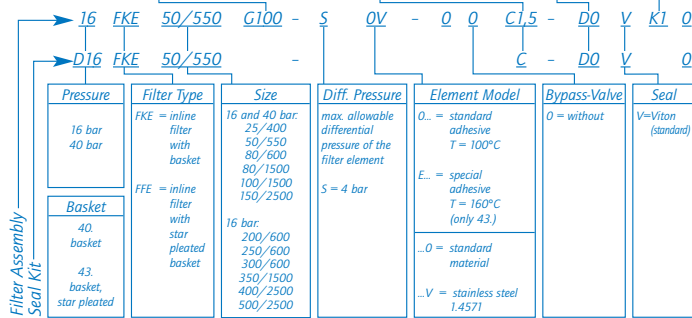


Industrial Filters · Accumulators

Ordering Information Inline filter 16/40 FKE...

16/40 FFE...

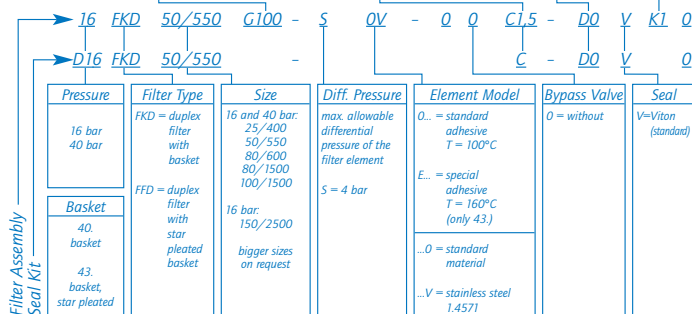
Filtration Grade	Maintenance Indicator	Connection	Material
for basket 40. and basket, star pleated 43.: nominal filter fineness in µm G = stainless steel wire mesh, cleanable G10 G25 G40 G60 G80 G100 G130 G200 G250 G350 G400 G450 G550 G800 G1000 G1500	0 = without A1,5 = maintenance indicator, visual B1,5 = maintenance indicator, visual/electr. C1,5 = maintenance indicator, visual/ electr. with electric plug E1,5 = maintenance indicator, visual/electr. with 3 luminous diodes and two shift points maintenance indicator in stainless steel: I1,5 = maintenance indicator, visual K1,5 = maintenance indicator, visual/electr. L1,5 = maintenance indicator, visual/electr. with electric plug N1,5 = maintenance indicator, visual/electr. with 3 luminous diodes and two shift points standard switch pressure 1,5bar	inlet and outlet: DO = DIN-flange without counter flange KO = DIN-flange with counter flange EO = DIN-flange with counter flange in stainless steel	0 = steel (standard) K1 = plastic coated Tmax = 70°C K2 = plastic coated Tmax = 95°C K3 = plastic coated Halar V = stainless steel 1.4571
for basket 40.: nominal filter fineness in µm L = perforated plate, cleanable L3000 L5000 L8000 L10000 SR = slotted tube, cleanable SR50 SR100 SR150 SR200 SR250 SR300 SR500 SR750 SR1000			
for basket, star pleated 43.: nominal filter fineness in µm P = paper, not cleanable P5 P10 P25 absolute filtration grade (ISO 4572) in µm H.XL = micro glass fibre, not cleanable H1XL H3XL H6XL H10XL H16XL H20XL			



Ordering Information Duplex Filter 16/40 FKD...

16/40 FFD...

Filtration Grade	Maintenance Indicator	Connection	Material
for basket 40. and basket, star pleated 43.: nominal filter fineness in µm G = stainless steel wire mesh, cleanable G10 G25 G40 G60 G80 G100 G130 G200 G250 G350 G400 G450 G550 G800 G1000 G1500	0 = without A1,5 = maintenance indicator, visual C1,5 = maintenance indicator, visual/electr. with electric plug E1,5 = maintenance indicator, visual/ electr. with 3 luminous diodes and two shift points maintenance indicator in stainless steel: I1,5 = maintenance indicator, visual L1,5 = maintenance indicator, visual/electr. with electric plug N1,5 = maintenance indicator, visual/electr. with 3 luminous diodes and two shift points standard switch pressure 1,5bar	inlet and outlet: DO = DIN-flange without counter flange KO = DIN-flange with counter flange EO = DIN-flange with counter flange in stainless steel	0 = steel (standard) K1 = plastic coated Tmax = 70°C K2 = plastic coated Tmax = 95°C K3 = plastic coated Halar V = stainless steel 1.4571
for basket 40.: nominal filter fineness in µm L = perforated plate, cleanable L3000 L5000 L8000 L10000 SR = slotted tube, cleanable SR50 SR100 SR150 SR200 SR250 SR300 SR500 SR750 SR1000			
for basket, star pleated 43.: nominal filter fineness in µm P = paper, not cleanable P5 P10 P25 absolute filtration grade (ISO 4572) in µm H.XL = micro glass fibre, not cleanable H1XL H3XL H6XL H10XL H16XL H20XL			



More technical data see brochure No. T48C and T58.1B / T58.2B.
Technical modifications reserved!

58B-GB/01/01.05/2000