



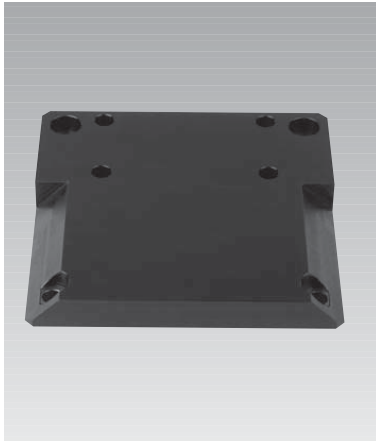
ROEMHELD

Issue 5-08 E

M 8.110

Adaptor plates for *modulog* interfaces

Adaptor plate DMH-140



Advantages

- *modulog* interface
- Simple vertical mounting of the rotating module - horizontal axis DMH
- Simple mounting
- Standard plate

Application

The adaptor plate DMH-140 allows vertical mounting of the rotating module - horizontal axis DMH on modules with a *modulog* interface 140 x 140.

Material

Steel, black oxide

Note

The fixing screws M10 are not included in our delivery.

modulog

Adaptor plate

Part-no. 6311-326



modulog interface

- 140 x 140 mm – M10

Mounting scheme - example



Rotating module - horizontal axis DMH with interface
95 x 50 mm – M10

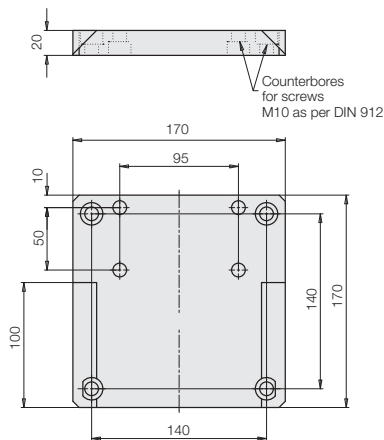


Adaptor plate **DMH140**



Lifting module with top plate interface
140 x 140 – Ø 10.5 mm

Dimensions



Application example



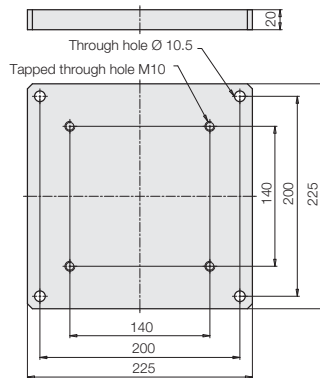
Rotating module - horizontal axis DMH 200 vertically mounted on a lifting module Twin-Strong



ROEMHELD

Adaptor plate 140-200 Adaptor plate 200-140

Adaptor plate 140-200



Advantages

- Simple mounting of *modulog* modules with different interfaces
- Simple mounting
- Standard plate

Application

By means of the adaptor plate 140 – 200 modules with a 140 x 140 mm *modulog* interface can be mounted onto a 200 x 200 mm *modulog* interface.

For example a rotating module - vertical axis on a cart or floor module.

Material

Steel, black oxide

modulog Adaptor plate

Part-no. 6311-417



modulog interface

- 140 x 140 mm – M10
- 200 x 200 mm – Ø 10.5 mm

Mounting scheme - example



Rotating module - vertical axis DMV with interface

140 x 140 mm – Ø 10.5



Adaptor plate 140 – 200



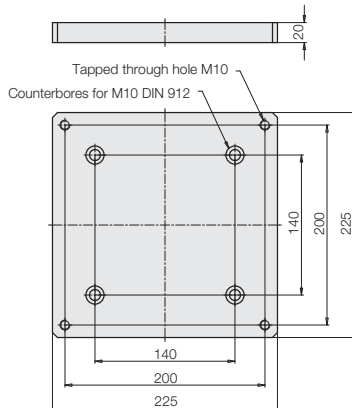
Cart module WMS with interface

200 x 50 mm – M10

Note

The fixing screws M10 are not included in our delivery.

Adaptor plate 200 – 140



Advantages

- Simple mounting of *modulog* modules with different interfaces
- Simple mounting
- Standard plate

Application

By means of the adaptor plate 200 – 140 modules with a 200 x 200 mm *modulog* interface can be mounted onto a 140 x 140 mm *modulog* interface.

For example a lifting module on a rotating module - vertical axis.

Material

Steel, black oxide

modulog Adaptor plate

Part-no. 6311-423



modulog interface

- 200 x 200 mm – M10
- 140 x 140 mm – Ø 10.5 mm

Mounting scheme - example



Lifting module with pase plate interface

200 x 200 mm – Ø 10.5



Adaptor plate 200 – 140



Rotating module - vertical axis DMV with interface

140 x 140 – M10

Note

The fixing screws M10 are not included in our delivery.