

## W-Series, Low Profile Hexagon Wrenches

**ENERPAC**  
POWERFUL SOLUTIONS. GLOBAL FORCE.

▼ Shown: Drive units with interchangeable cassettes



### Simplicity

- Includes handle to improve tool handling and safety.
- No tools are needed for changing the hexagon cassettes
- Innovative, pinless wrench construction incorporates quick release cylinder and automatic crank engagement
- Single 360° hydraulic swivel manifold complete with screw lock couplings increases wrench and hose manoeuvrability.

### Design

- Cylinders and low profile cassettes have been engineered to give ultra slim, compact low clearance tooling with a small nose radius
- Robust design with minimal parts enables easy on-site maintenance without special tools
- Nut sizes covered range from 30 - 155 mm (1 1/8 - 6 1/8 inch)
- Optimized strength-to-weight ratio
- Fast operation due to the large nut rotation per wrench cycle (30 degree rotation angle) and rapid return stroke.

### Reliability

- All wrenches are nickel-plated for excellent corrosion protection and improved durability in harsh environments
- All wrenches are fitted with bronze bushings to ensure the ratchet will never seize in the sideplates, thus eliminating costly repairs.

### Accuracy

- Constant torque output provides accuracy  $\pm 3\%$  across the full stroke
- In-line reaction foot ensures accuracy by reducing internal deflections.

## Rigid Steel Design

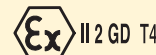
## The Professional Low Profile Solution



### W-Series, Torque Wrenches

The most advanced and safe torque wrenches on the market. To ensure that the tools you buy meet our own exacting requirements, during the design process every prototype was put through finite element stress analysis, photo-elastic modeling, rigorous cyclic testing and strain gauging.

The W-Series torque wrenches are tested and certified according to the Directive on Machinery: 2006/42/EC, and ATEX, Directive on potentially explosive atmospheres: 94/9/EC with the ratings of: CE Ex II 2 GD cT4.



### TSP - Pro Series Swivel

Featuring Tilt & Swivel technology the TSP provides 360° X-axis rotation and 160° Y-axis rotation.

### How to Order

Order as an accessory which can be fitted to existing S-Series wrenches. Factory fitted: add suffix "P" to the wrench model number: **W2000P**.

Page: 22

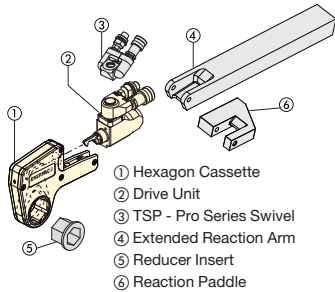


### Torque Wrench Hoses

Use Enerpac THQ-700 Series torque wrench hoses with S-Series torque wrenches to ensure the integrity of your hydraulic system.

6 m long, 2 hoses	<b>THQ-706T</b>
12 m long, 2 hoses	<b>THQ-712T</b>

## Double-Acting Hydraulic Hexagon Torque Wrenches



### Hexagon Cassettes and Reducer Inserts

Maximum versatility with the full range of interchangeable hexagon cassettes and hexagon reducing inserts is available in metric and inch sizes.

Page: 14

### W Series



Maximum Torque at 690 bar:

**47.454 Nm**

Hexagon Range:

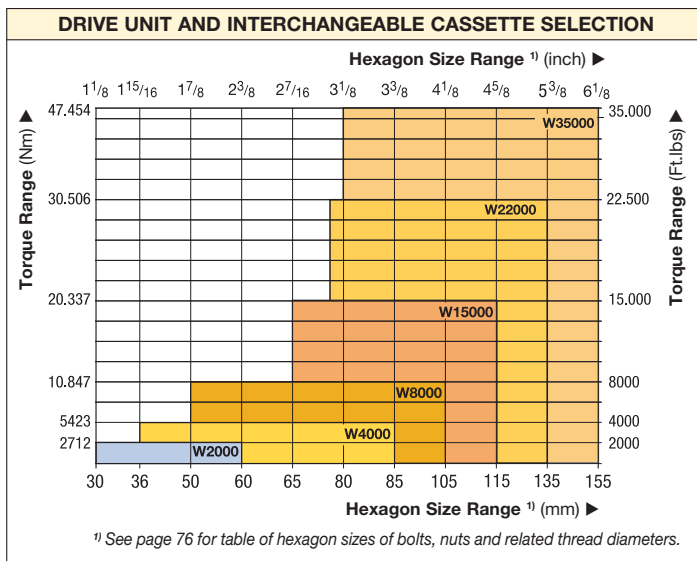
**30 - 155 mm, 1 1/8 - 6 1/8"**

Nose Radius:

**31 - 115 mm**

Maximum Operating Pressure:

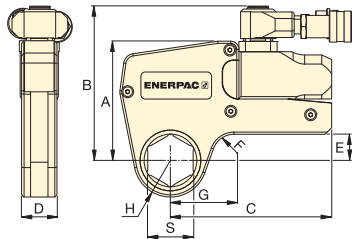
**690 bar**



### Torque Wrench Pump Selection Matrix

For optimum speed and performance see the torque wrench and pump matrix.

Page: 32



These rigid steel wrenches with low profile interchangeable hexagon cassettes guarantee durability and maximum versatility in bolting applications. ▶



### SELECTION CHART

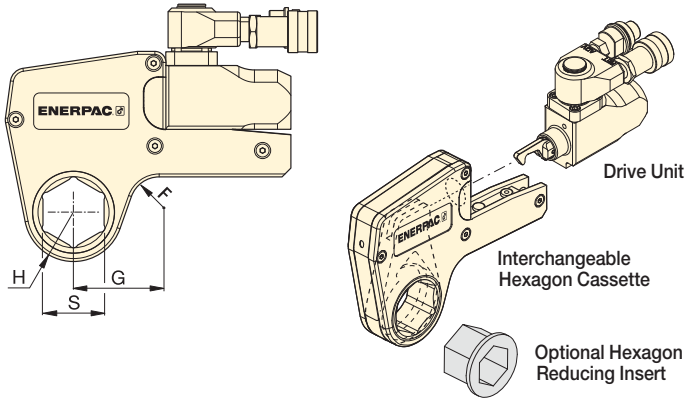
Hexagon Range *	Page:	Maximum Torque at 690 bar		Drive Unit Model Number **	Minimum Torque		Dimensions (mm) (see pages 14-21 for dimensions H, G and S)						Weight (drive unit without hexagon cassette) (kg)
		(Nm)	(Ft.lbs)		(Nm)	(Ft.lbs)	A	B	C	D	E	F	
30 - 60	14	2712	2000	W2000	271	200	109	141	148	32	24	20	1,4
36 - 85		5423	4000	W4000	542	400	136	167	178	41	33	20	2,0
50 - 105		10.847	8000	W8000	1084	800	172	205	208	53	42	25	3,0
65 - 115		20.337	15.000	W15000	2033	1500	207	240	253	63	50	20	5,0
75 - 135		30.506	22.500	W22000	3050	2250	227	266	297	77	48	35	7,7
80 - 155		47.454	35.000	W35000	4745	3500	268	301	345	91	69-73	50	11,4

\* With in-line reaction foot. \*\* To order a wrench fitted with the TSP swivel, suffix the model number with "P". Example: W2000P. See "Yellow Pages" section for torque conversions and tables of pressure versus torque (pages 77-78).

ENERPAC 13

## W2000, Inch-Cassettes & Reducer Inserts

**ENERPAC**  
POWERFUL SOLUTIONS. GLOBAL FORCE.



### W Series



Maximum Torque at 690 bar:  
**2712 Nm**

Hexagon Range:  
**1 1/8 - 2 3/8 inch**

Maximum Operating Pressure:  
**690 bar**



#### Metric Sizes

For metric sizes of hexagon cassettes and reducer inserts see:

Page: 20



#### Hexagon Bolt and Nut Sizes

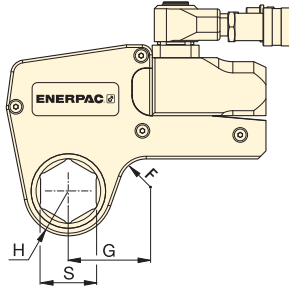
See the table for hexagon sizes of bolts, nuts and related thread diameters.

Page: 76

### SELECTION CHART

Drive Unit Model Number	Hexagon Size S (inch)	Nose Radius H (mm)	G (mm)	Model Nr. Cassette	Weight (kg)	Hexagon Reducer (inch)		Hexagon Reducer (inch)		Hexagon Reducer (inch)	
						Hexagon Reducer (inch)	Model Number Reducer	Hexagon Reducer (inch)	Model Number Reducer	Hexagon Reducer (inch)	Model Number Reducer
W2000	1 1/8	31,0	53,7	W2102	2,1	-	-	-	-	-	-
	1 1/16	31,0	53,7	W2103	2,1	-	-	-	-	-	-
	1 1/4	31,0	53,7	W2104	2,1	-	-	-	-	-	-
	1 5/16	31,0	53,7	W2105	2,1	-	-	-	-	-	-
	1 3/8	31,0	53,7	W2106	2,1	-	-	-	-	-	-
	1 7/16	31,0	53,7	W2107	2,1	1 7/16 - 1 1/8	W2107R102	-	-	-	-
	1 1/2	33,5	58,2	W2108	2,2	-	-	-	-	-	-
	1 9/16	33,5	58,2	W2109	2,2	-	-	-	-	-	-
	1 5/8	33,5	58,2	W2110	2,2	1 5/8 - 1 1/4	W2110R104	1 5/8 - 1 3/16	W2110R103	-	-
	1 11/16	36,5	60,5	W2111	2,2	-	-	-	-	-	-
	1 3/4	36,5	60,5	W2112	2,2	-	-	-	-	-	-
	1 13/16	36,5	60,5	W2113	2,2	1 13/16 - 1 7/16	W2113R107	1 13/16 - 1 1/4	W2113R104	-	-
	1 7/8	39,0	63,1	W2114	2,2	-	-	-	-	-	-
	1 15/16	39,0	63,1	W2115	2,2	-	-	-	-	-	-
	2	39,0	63,1	W2200	2,2	2 - 1 5/8	W2200R110	2 - 1 7/16	W2200R107	-	-
	2 1/16	41,8	68,6	W2201	2,3	-	-	-	-	-	-
	2 1/8	41,8	68,6	W2202	2,3	-	-	-	-	-	-
	2 1/4	41,8	68,6	W2203	2,3	2 1/4 - 1 13/16	W2203R113	2 1/4 - 1 5/8	W2203R110	2 1/4 - 1 7/16	W2203R107
	-	-	-	-	-	-	-	-	-	-	-
	2 3/8	44,5	64,8	W2204	2,2	-	-	-	-	-	-
2 5/16	44,5	64,8	W2205	2,2	-	-	-	-	-	-	
2 3/4	44,5	64,8	W2206	2,2	2 3/4 - 2	W2206R200	2 3/4 - 1 7/8	W2206R114	2 3/4 - 1 13/16	W2206R113	
-	-	-	-	-	-	2 3/4 - 1 1/2	W2206R108	2 3/4 - 1 7/16	W2206R107	2 3/4 - 1 5/16	W2206R110

## W4000, Inch-Cassettes & Reducer Inserts



Maximum Torque at 690 bar:

**5423 Nm**

Hexagon Range:

**1<sup>5</sup>/<sub>16</sub> - 3<sup>3</sup>/<sub>8</sub> inch**

Maximum Operating Pressure:

**690 bar**

**W**  
Series



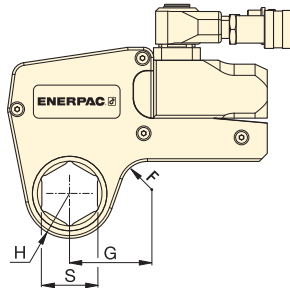
▼ SELECTION CHART

Drive Unit Model Number	Hexagon Size <sup>1)</sup> S (inch)	Nose Radius H (mm)	G (mm)	Model Nr. Cassette	Weight (kg)	Hexagon Reducer		Hexagon Reducer		Hexagon Reducer	
						Hexagon Reducer (inch)	Model Number Reducer	Hexagon Reducer (inch)	Model Number Reducer	Hexagon Reducer (inch)	Model Number Reducer
W4000	1 <sup>5</sup> / <sub>16</sub>	37,0	61,0	W4105	3,7	-	-	-	-	-	-
	1 <sup>3</sup> / <sub>8</sub>	37,0	61,0	W4106	3,7	-	-	-	-	-	-
	1 <sup>7</sup> / <sub>16</sub>	37,0	61,0	W4107	3,7	-	-	-	-	-	-
	1 <sup>1</sup> / <sub>2</sub>	37,0	61,0	W4108	3,7	-	-	-	-	-	-
	1 <sup>9</sup> / <sub>16</sub>	37,0	61,0	W4109	3,7	-	-	-	-	-	-
	1 <sup>5</sup> / <sub>8</sub>	37,0	61,0	W4110	3,7	-	-	-	-	-	-
	1 <sup>11</sup> / <sub>16</sub>	39,5	64,0	W4111	3,8	-	-	-	-	-	-
	1 <sup>3</sup> / <sub>4</sub>	39,5	64,0	W4112	3,8	-	-	-	-	-	-
	1 <sup>13</sup> / <sub>16</sub>	39,5	64,0	W4113	3,8	-	-	-	-	-	-
	1 <sup>7</sup> / <sub>8</sub>	41,5	66,7	W4114	3,9	-	-	-	-	-	-
	1 <sup>15</sup> / <sub>16</sub>	41,5	66,7	W4115	3,9	-	-	-	-	-	-
	2	41,5	66,7	W4200	3,9	2 - 1 <sup>5</sup> / <sub>16</sub>	W4200R107	-	-	-	-
	2 <sup>1</sup> / <sub>16</sub>	44,0	73,4	W4201	4	-	-	-	-	-	-
	2 <sup>1</sup> / <sub>8</sub>	44,0	73,4	W4202	4	-	-	-	-	-	-
	2 <sup>3</sup> / <sub>16</sub>	44,0	73,4	W4203	4	2 <sup>3</sup> / <sub>16</sub> - 1 <sup>5</sup> / <sub>8</sub>	W4203R110	2 <sup>3</sup> / <sub>16</sub> - 1 <sup>7</sup> / <sub>16</sub>	W4203R107	2 <sup>3</sup> / <sub>16</sub> - 1 <sup>1</sup> / <sub>4</sub>	W4203R104
	2 <sup>1</sup> / <sub>4</sub>	46,5	70,6	W4204	4,1	-	-	-	-	-	-
	2 <sup>5</sup> / <sub>16</sub>	46,5	70,6	W4205	4,1	-	-	-	-	-	-
	2 <sup>3</sup> / <sub>8</sub>	46,5	70,6	W4206	4,1	2 <sup>3</sup> / <sub>8</sub> - 2	W4206R200	2 <sup>3</sup> / <sub>8</sub> - 1 <sup>13</sup> / <sub>16</sub>	W4206R113	2 <sup>3</sup> / <sub>8</sub> - 1 <sup>7</sup> / <sub>16</sub>	W4206R107
	-	-	-	-	-	2 <sup>3</sup> / <sub>8</sub> - 1 <sup>3</sup> / <sub>8</sub>	W4206R106	-	-	-	-
	2 <sup>7</sup> / <sub>16</sub>	49,5	76,2	W4207	4,1	2 <sup>7</sup> / <sub>16</sub> - 2	W4207R200	-	-	-	-
	2 <sup>1</sup> / <sub>2</sub>	49,5	76,2	W4208	4,1	2 <sup>1</sup> / <sub>2</sub> - 2	W4208R200	2 <sup>1</sup> / <sub>2</sub> - 1 <sup>13</sup> / <sub>16</sub>	W4208R113	2 <sup>1</sup> / <sub>2</sub> - 2 <sup>1</sup> / <sub>16</sub>	W4208R201
	2 <sup>9</sup> / <sub>16</sub>	49,5	76,2	W4209	4,1	2 <sup>9</sup> / <sub>16</sub> - 2 <sup>3</sup> / <sub>16</sub>	W4209R203	2 <sup>9</sup> / <sub>16</sub> - 2 <sup>1</sup> / <sub>8</sub>	W4209R202	2 <sup>9</sup> / <sub>16</sub> - 2 <sup>1</sup> / <sub>16</sub>	W4209R201
	-	-	-	-	-	2 <sup>9</sup> / <sub>16</sub> - 2	W4209R200	2 <sup>9</sup> / <sub>16</sub> - 1 <sup>13</sup> / <sub>16</sub>	W4209R113	-	-
	2 <sup>5</sup> / <sub>8</sub>	52,5	78,3	W4210	4,2	-	-	-	-	-	-
	2 <sup>11</sup> / <sub>16</sub>	52,5	78,3	W4211	4,2	-	-	-	-	-	-
	2 <sup>3</sup> / <sub>4</sub>	52,5	78,3	W4212	4,2	2 <sup>3</sup> / <sub>4</sub> - 2 <sup>3</sup> / <sub>8</sub>	W4212R206	2 <sup>3</sup> / <sub>4</sub> - 2 <sup>3</sup> / <sub>16</sub>	W4212R203	2 <sup>3</sup> / <sub>4</sub> - 2 <sup>1</sup> / <sub>8</sub>	W4212R202
	2 <sup>13</sup> / <sub>16</sub>	55,3	81,6	W4213	4,3	-	-	-	-	-	-
	2 <sup>7</sup> / <sub>8</sub>	55,3	81,6	W4214	4,3	-	-	-	-	-	-
	2 <sup>15</sup> / <sub>16</sub>	55,3	81,6	W4215	4,3	2 <sup>15</sup> / <sub>16</sub> - 2 <sup>9</sup> / <sub>16</sub>	W4215R209	2 <sup>15</sup> / <sub>16</sub> - 2 <sup>3</sup> / <sub>8</sub>	W4215R206	2 <sup>15</sup> / <sub>16</sub> - 2 <sup>3</sup> / <sub>16</sub>	W4215R203
	-	-	-	-	-	2 <sup>15</sup> / <sub>16</sub> - 2	W4215R200	-	-	-	-
	3	58,5	83,5	W4300	4,4	3 - 2 <sup>3</sup> / <sub>16</sub>	W4300R203	-	-	-	-
	3 <sup>1</sup> / <sub>16</sub>	58,5	83,5	W4301	4,4	-	-	-	-	-	-
	3 <sup>1</sup> / <sub>8</sub>	58,5	83,5	W4302	4,4	3 <sup>1</sup> / <sub>8</sub> - 2 <sup>3</sup> / <sub>4</sub>	W4302R212	3 <sup>1</sup> / <sub>8</sub> - 2 <sup>9</sup> / <sub>16</sub>	W4302R209	3 <sup>1</sup> / <sub>8</sub> - 2 <sup>3</sup> / <sub>8</sub>	W4302R206
	-	-	-	-	-	3 <sup>1</sup> / <sub>8</sub> - 2 <sup>5</sup> / <sub>16</sub>	W4302R205	3 <sup>1</sup> / <sub>8</sub> - 2 <sup>1</sup> / <sub>4</sub>	W4302R204	3 <sup>1</sup> / <sub>8</sub> - 2 <sup>3</sup> / <sub>16</sub>	W4302R203
	-	-	-	-	-	3 <sup>1</sup> / <sub>8</sub> - 2 <sup>3</sup> / <sub>16</sub>	W4302R203	3 <sup>1</sup> / <sub>8</sub> - 2 <sup>1</sup> / <sub>8</sub>	W4302R202	3 <sup>1</sup> / <sub>8</sub> - 2	W4302R200
	3 <sup>3</sup> / <sub>16</sub>	62,0	85,5	W4303	4,5	-	-	-	-	-	-
3 <sup>1</sup> / <sub>4</sub>	62,0	85,5	W4304	4,5	-	-	-	-	-	-	
3 <sup>5</sup> / <sub>16</sub>	62,0	85,5	W4305	4,5	-	-	-	-	-	-	
3 <sup>3</sup> / <sub>8</sub>	62,0	85,5	W4306	4,5	-	-	-	-	-	-	

<sup>1)</sup> See page 76 for table of hexagon sizes of bolts, nuts and related thread diameters.

## W8000, Inch-Cassettes & Reducer Inserts

**ENERPAC**  
POWERFUL SOLUTIONS. GLOBAL FORCE.



Maximum Torque at 690 bar:

**10.847 Nm**

Hexagon Range:

**1 7/8 - 4 1/8 inch**

Maximum Operating Pressure:

**690 bar**

**W Series**

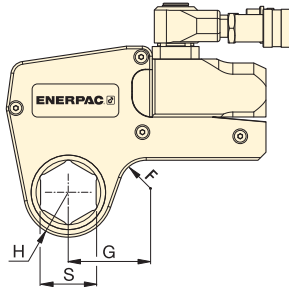


▼ SELECTION CHART

Drive Unit Model Number	Hexagon Size <sup>1)</sup> S (inch)	Nose Radius H (mm)	G (mm)	Model Nr. Cassette	Weight (kg)	Hexagon Reducer		Hexagon Reducer		Hexagon Reducer	
						Hexagon Reducer (inch)	Model Number Reducer	Hexagon Reducer (inch)	Model Number Reducer	Hexagon Reducer (inch)	Model Number Reducer
W8000	1 7/8	45,0	78,2	W8114	8,1	-	-	-	-	-	-
	1 5/16	45,0	78,2	W8115	8,1	-	-	-	-	-	-
	2	45,0	78,2	W8200	8,1	-	-	-	-	-	-
	2 1/16	48,0	80,0	W8201	8,1	-	-	-	-	-	-
	2 1/8	48,0	80,0	W8202	8,1	-	-	-	-	-	-
	2 3/16	48,0	80,0	W8203	8,1	-	-	-	-	-	-
	2 1/4	51,0	82,5	W8204	8,1	-	-	-	-	-	-
	2 5/16	51,0	82,5	W8205	8,1	-	-	-	-	-	-
	2 3/8	51,0	82,5	W8206	8,1	-	-	-	-	-	-
	2 7/16	52,5	85,9	W8207	8,1	-	-	-	-	-	-
	2 1/2	52,5	85,9	W8208	8,1	-	-	-	-	-	-
	2 9/16	52,5	85,9	W8209	8,1	2 9/16 - 2	W8209R200	-	-	-	-
	2 5/8	56,0	84,8	W8210	8,1	-	-	-	-	-	-
	2 11/16	56,0	84,8	W8211	7,9	-	-	-	-	-	-
	2 3/4	56,0	84,8	W8212	7,9	2 3/4 - 2 3/16	W8212R203	-	-	-	-
	2 13/16	58,0	85,0	W8213	7,9	-	-	-	-	-	-
	2 7/8	58,0	85,0	W8214	7,9	-	-	-	-	-	-
	2 15/16	58,0	85,0	W8215	7,9	2 15/16 - 2 3/8	W8215R206	2 15/16 - 2 3/16	W8215R203	-	-
	3	60,5	89,5	W8300	8,0	-	-	-	-	-	-
	3 1/16	60,5	89,5	W8301	8,0	-	-	-	-	-	-
	3 1/8	60,5	89,5	W8302	8,0	3 1/8 - 2 9/16	W8302R209	3 1/8 - 2 3/8	W8302R206	3 1/8 - 2 3/16	W8302R203
	-	-	-	-	-	-	3 1/8 - 2	W8302R200	-	-	-
	3 3/16	66,0	92,2	W8303	8,2	-	-	-	-	-	-
	3 1/4	66,0	92,2	W8304	8,2	-	-	-	-	-	-
	3 5/16	66,0	92,2	W8305	8,2	-	-	-	-	-	-
	3 3/8	66,0	92,2	W8306	8,2	-	-	-	-	-	-
	3 7/16	66,0	92,2	W8307	8,2	-	-	-	-	-	-
	3 1/2	66,0	92,2	W8308	8,2	3 1/2 - 3	W8308R300	3 1/2 - 2 15/16	W8308R215	3 1/2 - 2 3/4	W8308R212
	3 9/16	74,0	102,9	W8309	8,8	-	-	-	-	-	-
	3 5/8	74,0	102,9	W8310	8,8	-	-	-	-	-	-
	3 11/16	74,0	102,9	W8311	8,8	-	-	-	-	-	-
	3 3/4	74,0	102,9	W8312	8,8	3 3/4 - 3 1/8	W8312R302	3 3/4 - 2 15/16	W8312R215	3 3/4 - 2 3/4	W8312R212
	3 13/16	74,0	102,9	W8313	8,8	-	-	-	-	-	-
	3 7/8	74,0	102,9	W8314	8,8	3 7/8 - 3 1/8	W8314R302	3 7/8 - 2 15/16	W8314R215	-	-
	3 15/16	79,5	110,0	W8315	9,3	-	-	-	-	-	-
	4	79,5	110,0	W8400	9,3	-	-	-	-	-	-
4 1/16	79,5	110,0	W8401	9,3	-	-	-	-	-	-	
4 1/8	79,5	110,0	W8402	9,3	-	-	-	-	-	-	

<sup>1)</sup> See page 76 for table of hexagon sizes of bolts, nuts and related thread diameters.

## W15000, Inch-Cassettes & Reducer Inserts



Maximum Torque at 690 bar:  
**20.337 Nm**

Hexagon Range:  
**27/16 - 45/8 inch**

Maximum Operating Pressure:  
**690 bar**

**W**  
Series



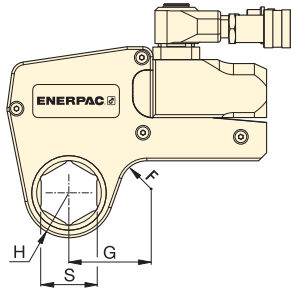
### ▼ SELECTION CHART

Drive Unit Model Number	Hexagon Size <sup>1)</sup> S	Nose Radius H	G	Model Nr. Cassette	Weight (kg)	Hexagon Reducer (inch)		Hexagon Reducer (inch)		Hexagon Reducer (inch)	
						Hexagon Reducer (inch)	Model Number Reducer	Hexagon Reducer (inch)	Model Number Reducer	Hexagon Reducer (inch)	Model Number Reducer
W15000	27/16	59,0	88,6	W15207	13,6	-	-	-	-	-	-
	2 1/2	59,0	88,6	W15208	13,6	-	-	-	-	-	-
	29/16	59,0	88,6	W15209	13,6	-	-	-	-	-	-
	2 5/8	59,0	88,6	W15210	13,6	-	-	-	-	-	-
	2 11/16	59,0	88,6	W15211	13,6	-	-	-	-	-	-
	2 3/4	59,0	88,6	W15212	13,6	-	-	-	-	-	-
	2 13/16	62,0	90,5	W15213	13,7	-	-	-	-	-	-
	2 7/8	62,0	90,5	W15214	13,7	-	-	-	-	-	-
	2 15/16	62,0	90,5	W15215	13,7	-	-	-	-	-	-
	3	64,5	92,9	W15300	13,8	3 - 2 1/8	W15300R202	-	-	-	-
	3 1/16	64,5	92,9	W15301	13,8	-	-	-	-	-	-
	3 1/8	64,5	92,9	W15302	13,8	3 1/8 - 2 9/16	W15302R209	-	-	-	-
	3 3/16	69,5	96,6	W15303	14,1	-	-	-	-	-	-
	3 1/4	69,5	96,6	W15304	14,1	-	-	-	-	-	-
	3 5/16	69,5	96,6	W15305	14,1	-	-	-	-	-	-
	3 3/8	69,5	96,6	W15306	14,1	-	-	-	-	-	-
	3 7/16	69,5	96,6	W15307I	14,1	-	-	-	-	-	-
	3 1/2	69,5	96,6	W15308	14,1	3 1/2 - 2 15/16	W15308R215	3 1/2 - 2 3/4	W15308R212	-	-
	3 9/16	75,0	101,8	W15309	14,6	-	-	-	-	-	-
	3 5/8	75,0	101,8	W15310	14,6	-	-	-	-	-	-
	3 11/16	75,0	101,8	W15311	14,6	-	-	-	-	-	-
	3 3/4	75,0	101,8	W15312	14,6	3 3/4 - 3 1/8	W15312R302	3 3/4 - 2 15/16	W15312R215	-	-
	3 13/16	75,0	101,8	W15313	14,5	-	-	-	-	-	-
	3 7/8	75,0	101,8	W15314	14,5	3 7/8 - 3 1/8	W15314R302	3 7/8 - 2 15/16	W15314R215	-	-
	3 15/16	80,5	103,1	W15315	14,8	-	-	-	-	-	-
	4	80,5	103,1	W15400	14,8	-	-	-	-	-	-
	4 1/16	80,5	103,1	W15401I	14,8	-	-	-	-	-	-
	4 1/8	80,5	103,1	W15402	14,8	4 1/8 - 3 1/2	W15402R308	4 1/8 - 3 5/16	W15402R305	4 1/8 - 3 1/4	W15402R304
	4 3/16	80,5	103,1	W15403I	14,8	-	-	-	-	-	-
	4 1/4	80,5	103,1	W15404	14,8	4 1/4 - 3 1/2	W15404R308	4 1/4 - 3 1/8	W15404R302	-	-
	4 5/16	87,5	114,8	W15405	15,1	-	-	-	-	-	-
	4 3/8	87,5	114,8	W15406	15,1	-	-	-	-	-	-
	4 7/16	87,5	114,8	W15407	15,1	-	-	-	-	-	-
	4 1/2	87,5	114,8	W15408I	15,1	-	-	-	-	-	-
	4 9/16	87,5	114,8	W15409I	15,1	-	-	-	-	-	-
	4 5/8	87,5	114,8	W15410I	15,1	4 5/8 - 3 15/16	W15410R315	4 5/8 - 3 7/8	W15410R314	4 5/8 - 3 3/4	W15410R312
	-	-	-	-	-	4 5/8 - 3 1/2	W15410R308	-	-	-	-

<sup>1)</sup> See page 76 for table of hexagon sizes of bolts, nuts and related thread diameters.

## W22000, Inch-Cassettes & Reducers

**ENERPAC**  
POWERFUL SOLUTIONS. GLOBAL FORCE.



Maximum Torque at 690 bar:  
**30.506 Nm**

Hexagon Range:  
**2<sup>15</sup>/<sub>16</sub> - 5<sup>3</sup>/<sub>8</sub> inch**

Maximum Operating Pressure:  
**690 bar**

**W**  
Series

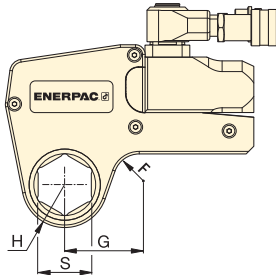


### ▼ SELECTION CHART

Drive Unit Model Number	Hexagon Size <sup>1)</sup> S (inch)	Nose Radius H (mm)	G (mm)	Model Nr. Cassette	Weight (kg)	Hexagon Reducer		Hexagon Reducer		Hexagon Reducer	
						(inch)	Model Number Reducer	(inch)	Model Number Reducer	(inch)	Model Number Reducer
W22000	2 <sup>15</sup> / <sub>16</sub>	67,0	102,1	W22215	22,1	-	-	-	-	-	-
	3	67,0	102,1	W22300	22,0	-	-	-	-	-	-
	3 <sup>1</sup> / <sub>16</sub>	67,0	102,1	W22301	21,9	-	-	-	-	-	-
	3 <sup>1</sup> / <sub>8</sub>	67,0	102,1	W22302	21,6	3 <sup>1</sup> / <sub>8</sub> - 2 <sup>3</sup> / <sub>8</sub>	W22302R206	3 <sup>1</sup> / <sub>8</sub> - 2 <sup>3</sup> / <sub>16</sub>	W22302R203	-	-
	3 <sup>3</sup> / <sub>16</sub>	72,4	107,4	W22303	22,9	-	-	-	-	-	-
	3 <sup>1</sup> / <sub>4</sub>	72,4	107,4	W22304	22,8	-	-	-	-	-	-
	3 <sup>5</sup> / <sub>16</sub>	72,4	107,4	W22305	22,6	-	-	-	-	-	-
	3 <sup>3</sup> / <sub>8</sub>	72,4	107,4	W22306	22,5	-	-	-	-	-	-
	3 <sup>7</sup> / <sub>16</sub>	72,4	107,4	W22307	22,8	-	-	-	-	-	-
	3 <sup>1</sup> / <sub>2</sub>	72,4	107,4	W22308	22,2	3 <sup>1</sup> / <sub>2</sub> - 2 <sup>3</sup> / <sub>4</sub>	W22308R212	3 <sup>1</sup> / <sub>2</sub> - 2 <sup>3</sup> / <sub>16</sub>	W22308R209	3 <sup>1</sup> / <sub>2</sub> - 2 <sup>3</sup> / <sub>8</sub>	W22308R206
	3 <sup>9</sup> / <sub>16</sub>	77,9	113,0	W22309	23,4	-	-	-	-	-	-
	3 <sup>5</sup> / <sub>8</sub>	77,9	113,0	W22310	23,3	-	-	-	-	-	-
	3 <sup>11</sup> / <sub>16</sub>	77,9	113,0	W22311	23,1	-	-	-	-	-	-
	3 <sup>3</sup> / <sub>4</sub>	77,9	113,0	W22312	22,9	3 <sup>3</sup> / <sub>4</sub> - 2 <sup>15</sup> / <sub>16</sub>	W22312R215	-	-	-	-
	3 <sup>13</sup> / <sub>16</sub>	77,9	113,0	W22313	22,8	-	-	-	-	-	-
	3 <sup>7</sup> / <sub>8</sub>	77,9	113,0	W22314	22,6	3 <sup>7</sup> / <sub>8</sub> - 3 <sup>1</sup> / <sub>8</sub>	W22314R302	3 <sup>7</sup> / <sub>8</sub> - 2 <sup>15</sup> / <sub>16</sub>	W22314R215	3 <sup>7</sup> / <sub>8</sub> - 2 <sup>3</sup> / <sub>4</sub>	W22314R212
	3 <sup>15</sup> / <sub>16</sub>	85,1	119,9	W22315	24,3	-	-	-	-	-	-
	4	85,1	119,9	W22400	24,1	-	-	-	-	-	-
	4 <sup>1</sup> / <sub>16</sub>	85,1	119,9	W22401	24,0	-	-	-	-	-	-
	4 <sup>1</sup> / <sub>8</sub>	85,1	119,9	W22402	23,6	-	-	-	-	-	-
	4 <sup>3</sup> / <sub>16</sub>	85,1	119,9	W22403	23,6	-	-	-	-	-	-
	4 <sup>1</sup> / <sub>4</sub>	85,1	119,9	W22404	24,6	4 <sup>1</sup> / <sub>4</sub> - 3 <sup>1</sup> / <sub>2</sub>	W22404R308	4 <sup>1</sup> / <sub>4</sub> - 3 <sup>1</sup> / <sub>8</sub>	W22404R302	4 <sup>1</sup> / <sub>4</sub> - 2 <sup>15</sup> / <sub>16</sub>	W22404R215
	4 <sup>5</sup> / <sub>16</sub>	89,9	125,0	W22405	24,6	-	-	-	-	-	-
	4 <sup>3</sup> / <sub>8</sub>	89,9	125,0	W22406	24,5	-	-	-	-	-	-
	4 <sup>7</sup> / <sub>16</sub>	89,9	125,0	W22407	24,3	-	-	-	-	-	-
	4 <sup>1</sup> / <sub>2</sub>	89,9	125,0	W22408	24,1	-	-	-	-	-	-
	4 <sup>9</sup> / <sub>16</sub>	89,9	125,0	W22409	23,9	-	-	-	-	-	-
	4 <sup>5</sup> / <sub>8</sub>	89,9	125,0	W22410	23,6	4 <sup>5</sup> / <sub>8</sub> - 3 <sup>7</sup> / <sub>8</sub>	W22410R314	4 <sup>5</sup> / <sub>8</sub> - 3 <sup>4</sup> / <sub>8</sub>	W22410R312	4 <sup>5</sup> / <sub>8</sub> - 3 <sup>1</sup> / <sub>2</sub>	W22410R308
	4 <sup>3</sup> / <sub>4</sub>	95,0	130,0	W22412	24,7	-	-	-	-	-	-
	4 <sup>7</sup> / <sub>8</sub>	95,0	130,0	W22414	24,3	-	-	-	-	-	-
	5	95,0	130,0	W22500	23,8	5 - 4 <sup>1</sup> / <sub>4</sub>	W22500R404	5 - 4 <sup>1</sup> / <sub>8</sub>	W22500R402	5 - 3 <sup>7</sup> / <sub>8</sub>	W22500R314
	5 <sup>1</sup> / <sub>8</sub>	100,0	134,8	W22502	25,0	-	-	-	-	-	-
5 <sup>3</sup> / <sub>16</sub>	100,0	134,8	W22503	24,8	-	-	-	-	-	-	
5 <sup>1</sup> / <sub>4</sub>	100,0	134,8	W22504	24,5	-	-	-	-	-	-	
5 <sup>3</sup> / <sub>8</sub>	100,0	134,8	W22506	23,9	5 <sup>3</sup> / <sub>8</sub> - 4 <sup>5</sup> / <sub>8</sub>	W22506R410	5 <sup>3</sup> / <sub>8</sub> - 4 <sup>1</sup> / <sub>4</sub>	W22506R404	5 <sup>3</sup> / <sub>8</sub> - 4 <sup>1</sup> / <sub>8</sub>	W22506R402	
-	-	-	W22506	23,9	5 <sup>3</sup> / <sub>8</sub> - 3 <sup>7</sup> / <sub>8</sub>	W22506R314	-	-	-	-	

<sup>1)</sup> See page 76 for table of hexagon sizes of bolts, nuts and related thread diameters.

## W35000, Inch-Cassettes & Reducer Inserts



### SELECTION CHART

Drive Unit Model Number	Hexagon Size S	Nose Radius H	G	Model Nr. Cassette	Weight (kg)	Reducer	
						Hexagon Reducer (inch)	Model Number Reducer
W35000	3 <sup>1</sup> / <sub>8</sub>	76,0	126,8	W35302	32,8	3 <sup>1</sup> / <sub>8</sub> - 2	W35302R200
	3 <sup>3</sup> / <sub>16</sub>	76,0	126,8	W35303	32,7	-	-
	3 <sup>1</sup> / <sub>4</sub>	76,0	126,8	W35304	32,5	-	-
	3 <sup>5</sup> / <sub>16</sub>	76,0	126,8	W35305	32,4	-	-
	3 <sup>3</sup> / <sub>8</sub>	76,0	126,8	W35306	32,2	-	-
	3 <sup>7</sup> / <sub>16</sub>	76,0	126,8	W35307	32,0	-	-
	3 <sup>1</sup> / <sub>2</sub>	76,0	126,8	W35308	31,8	3 <sup>1</sup> / <sub>2</sub> - 2 <sup>5</sup> / <sub>16</sub>	W35308R205
	3 <sup>9</sup> / <sub>16</sub>	81,5	132,5	W35309	32,4	-	-
	3 <sup>5</sup> / <sub>8</sub>	81,5	132,5	W35310	33,3	-	-
	3 <sup>11</sup> / <sub>16</sub>	81,5	132,5	W35311	33,1	-	-
	3 <sup>3</sup> / <sub>4</sub>	81,5	132,5	W35312	32,9	-	-
	3 <sup>13</sup> / <sub>16</sub>	81,5	132,5	W35313	32,7	-	-
	3 <sup>7</sup> / <sub>8</sub>	81,5	132,5	W35314	32,4	3 <sup>7</sup> / <sub>8</sub> - 2 <sup>11</sup> / <sub>16</sub>	W35314R211
	3 <sup>15</sup> / <sub>16</sub>	87,0	137,0	W35315	34,1	3 <sup>15</sup> / <sub>16</sub> - 2 <sup>13</sup> / <sub>16</sub>	W35315R213
	4	87,0	137,0	W35400	33,9	-	-
	4 <sup>1</sup> / <sub>16</sub>	87,0	137,0	W35401	33,7	-	-
	4 <sup>1</sup> / <sub>8</sub>	87,0	137,0	W35402	33,5	-	-
	4 <sup>3</sup> / <sub>16</sub>	87,0	137,0	W35403	33,3	-	-
	4 <sup>1</sup> / <sub>4</sub>	87,0	137,0	W35404	33,0	4 <sup>1</sup> / <sub>4</sub> - 3 <sup>1</sup> / <sub>16</sub>	W35404R301
	4 <sup>5</sup> / <sub>16</sub>	93,0	143,0	W35405	34,9	-	-
	4 <sup>3</sup> / <sub>8</sub>	93,0	143,0	W35406	34,7	-	-
	4 <sup>7</sup> / <sub>16</sub>	93,0	143,0	W35407	34,5	-	-
	4 <sup>1</sup> / <sub>2</sub>	93,0	143,0	W35408	34,3	-	-
	4 <sup>9</sup> / <sub>16</sub>	93,0	143,0	W35409	34,1	-	-
	4 <sup>5</sup> / <sub>8</sub>	93,0	143,0	W35410	33,7	4 <sup>5</sup> / <sub>8</sub> - 3 <sup>5</sup> / <sub>8</sub>	W35410R310
	4 <sup>3</sup> / <sub>4</sub>	98,5	148,5	W35412	35,6	4 <sup>3</sup> / <sub>4</sub> - 3 <sup>3</sup> / <sub>4</sub>	W35412R312
	4 <sup>7</sup> / <sub>8</sub>	98,5	148,5	W35414	34,9	-	-
	5	98,5	148,5	W35500	34,3	5 - 4	W35500R400
	5 <sup>1</sup> / <sub>8</sub>	103,0	153,0	W35502	35,8	5 <sup>1</sup> / <sub>8</sub> - 4 <sup>1</sup> / <sub>8</sub>	W35502R402
	5 <sup>3</sup> / <sub>16</sub>	103,0	153,0	W35503	35,6	-	-
	5 <sup>1</sup> / <sub>4</sub>	103,0	153,0	W35504	35,2	-	-
	5 <sup>3</sup> / <sub>8</sub>	103,0	153,0	W35506	34,6	5 <sup>3</sup> / <sub>8</sub> - 4 <sup>5</sup> / <sub>16</sub>	W35506R405
	5 <sup>1</sup> / <sub>2</sub>	108,5	158,5	W35508	36,2	-	-
5 <sup>9</sup> / <sub>16</sub>	108,5	158,5	W35509	36,0	-	-	
5 <sup>5</sup> / <sub>8</sub>	108,5	158,5	W35510	35,6	-	-	
5 <sup>3</sup> / <sub>4</sub>	108,5	164,0	W35512	34,9	5 <sup>3</sup> / <sub>4</sub> - 4 <sup>3</sup> / <sub>4</sub>	W35512R412	
5 <sup>7</sup> / <sub>8</sub>	114,0	164,0	W35514	36,7	5 <sup>7</sup> / <sub>8</sub> - 4 <sup>7</sup> / <sub>8</sub>	W35514R414	
6	114,0	164,0	W35600	36,1	-	-	
6 <sup>1</sup> / <sub>8</sub>	114,0	164,0	W35602	35,3	6 <sup>1</sup> / <sub>8</sub> - 5 <sup>1</sup> / <sub>8</sub>	W35602R502	

### W Series



Maximum Torque at 690 bar:

**47.454 Nm**

Hexagon Range:

**3<sup>1</sup>/<sub>8</sub> - 6<sup>1</sup>/<sub>8</sub> inch**

Maximum Operating Pressure:

**690 bar**



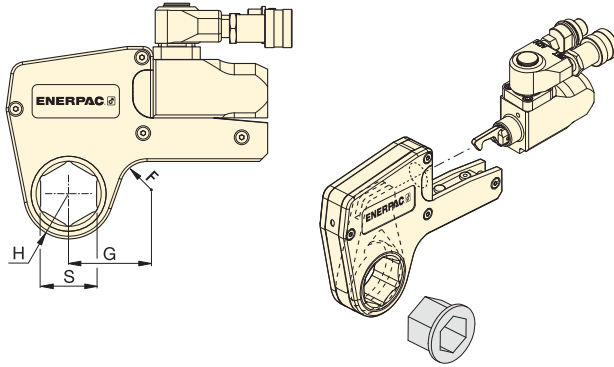
#### Hexagon Bolt and Nut Sizes

See the table for hexagon sizes of bolts, nuts and related thread diameters.

Page: 76

## W-Series, Metric Cassettes and Reducers

**ENERPAC**  
POWERFUL SOLUTIONS. GLOBAL FORCE.



### W Series



Hexagon Range:  
**24 - 105 mm**

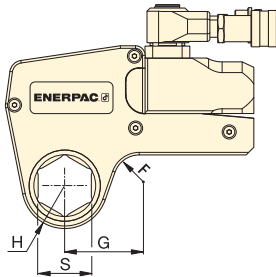
Maximum Operating Pressure:  
**690 bar**

#### ▼ SELECTION CHART

Drive Unit Model Number	Hexagon Size <sup>1)</sup>		Nose Radius	Dim. G (mm)	Model Nr. Cassette	Weight (kg)	Hexagon Reducer		Hexagon Reducer		Hexagon Reducer	
	S (mm)	H (mm)					Hexagon Reducer (mm)	Model Number Reducer	Hexagon Reducer (mm)	Model Number Reducer	Hexagon Reducer (mm)	Model Number Reducer
W2000	30	31	54	W2103	2,1	-	-	-	-	-	-	-
	32	31	54	W2104	2,1	-	-	-	-	-	-	-
	36	31	54	W2107	2,1	-	-	-	-	-	-	-
	38	34	58	W2108	2,2	-	-	-	-	-	-	-
	41	34	58	W2110	2,2	41 - 32	W2110R104	41 - 30	W2110R103	41 - 24	W2110R024M	-
	46	34	61	W2113	2,2	46 - 36	W2113R107	46 - 32	W2113R104	-	-	-
	50	39	63	W2200	2,2	50 - 41	W2200R110	50 - 36	W2200R107	-	-	-
	55	42	69	W2203	2,3	55 - 46	W2203R113	55 - 41	W2203R110	55 - 36	W2203R107	-
W4000	60	45	65	W2206	2,2	60 - 50	W2206R200	60 - 46	W2206R113	60 - 41	W2206R110	-
	-	-	-	-	-	60 - 36	W2206R107	-	-	-	-	-
	36	37	61	W4107	3,7	-	-	-	-	-	-	-
	41	37	61	W4110	3,7	-	-	-	-	-	-	-
	46	40	64	W4113	3,8	-	-	-	-	-	-	-
	50	42	67	W4200	3,9	50 - 36	W4200R107	-	-	-	-	-
	55	44	73	W4203	4,0	55 - 41	W4203R110	55 - 36	W4203R107	55 - 32	W4203R104	-
	60	47	71	W4206	4,1	60 - 50	W4206R200	60 - 46	W4206R113	60 - 36	W4206R107	-
	65	50	76	W4209	4,1	65 - 55	W4209R203	65 - 50	W4209R200	65 - 46	W4209R113	-
	70	53	78	W4212	4,2	70 - 60	W4212R206	70 - 55	W4212R203	-	-	-
	75	55	82	W4215	4,3	75 - 65	W4215R209	75 - 60	W4215R206	-	-	-
	W8000	-	-	-	W4215	-	75 - 55	W4215R203	75 - 50	W4215R200	-	-
80		59	84	W4302	4,4	80 - 75	W4302R215	80 - 70	W4302R212	80 - 65	W4302R209	-
-		-	-	W4302	-	80 - 55	W4302R203	80 - 50	W4302R200	-	-	-
85		62	86	W4085M	4,5	-	-	-	-	-	-	-
50		45	78	W8200	8,1	-	-	-	-	-	-	-
55		48	80	W8203	8,1	-	-	-	-	-	-	-
60		51	83	W8206	8,1	-	-	-	-	-	-	-
65		56	85	W8209	8,1	65 - 50	W8209R200	-	-	-	-	-
70		56	85	W8212	7,9	70 - 55	W8212R203	-	-	-	-	-
75		58	85	W8215	7,9	75 - 60	W8215R206	75 - 55	W8215R203	-	-	-
80		61	90	W8302	8	80 - 65	W8302R209	80 - 60	W8302R206	80 - 55	W8302R203	-
-		-	-	-	-	80 - 50	W8302R200	-	-	-	-	-
85	66	92	W8085M	8,2	85 - 70	W8085R070M	85 - 65	W8085R065M	85 - 60	W8085R060M	-	
-	-	-	-	-	85 - 55	W8085R055M	-	-	-	-	-	
90	74	103	W8090M	8,8	90 - 75	W8090R075M	-	-	-	-	-	
95	74	103	W8312	8,8	95 - 80	W8312R302	95 - 75	W8312R215	-	-	-	
100	80	110	W8315	9,3	-	-	-	-	-	-	-	
105	80	110	W8402	9,3	-	-	-	-	-	-	-	

<sup>1)</sup> See page 76 for table of hexagon sizes of bolts, nuts and related thread diameters.

## W-Series, Metric Cassettes and Reducers



Hexagon Range:  
**50 - 155 mm**

Maximum Operating Pressure:  
**690 bar**

**W**  
Series



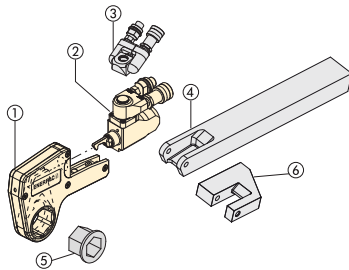
### ▼ SELECTION CHART

Drive Unit Model Number	Hexagon Size <sup>1)</sup> S (mm)	Nose Radius H (mm)	Dim. G (mm)	Model Nr. Cassette	Weight (kg)	Hexagon Reducer	
						Hexagon Reducer (mm)	Model Number Reducer
W15000	65	59	89	W15209	13,6	-	-
	70	59	89	W15212	13,6	-	-
	75	62	91	W15215	13,7	-	-
	80	65	93	W15302	13,8	80 - 65	W15302R209
	85	70	97	W15085M	14,1	85 - 70	W15085R070M
	90	75	102	W15090M	14,5	90 - 75	W15090R75M
	95	75	102	W15312	14,6	95 - 80	W15312R302
	100	81	103	W15315	14,8	-	-
	105	81	103	W15402	14,8	105 - 90	W15402R090M
	110	88	115	W15405	15,1	110 - 95	W15110R095M
115	88	115	W15115M	15,1	115 - 100	W15115R100M	
W22000	75	67	102	W22215	22,0	-	-
	80	67	102	W22302	21,6	80-60	W22302R206
	85	73	107	W22085M	22,5	85-65	W22085MR209
	90	78	113	W22090M	23,4	90-70	W22090M212
	95	78	113	W22312	22,9	95-75	W22312R215
	100	85	120	W22315	24,3	-	-
	105	85	120	W22402	23,4	-	-
	110	90	125	W22404	24,6	-	-
	115	90	125	W22115M	24,0	-	-
	120	95	130	W22412	24,7	-	-
	123	95	130	W22123M	24,4	-	-
	130	100	135	W22502	25,0	-	-
	135	100	135	W22506	23,9	135 - 105	W22506R402
W35000	80	77	129	W35302	32,8	80 - 50	W35302R200
	85	77	129	W35085M	32,3	-	-
	90	82	135	W35090M	33,5	90 - 60	W35090R206
	95	82	135	W35312	32,9	-	-
	100	88	139	W35315	34,1	-	-
	105	88	139	W35402	33,5	-	-
	110	94	146	W35405	34,9	110 - 85	W35405R085M
	115	94	146	W35115M	34,2	-	-
	120	100	153	W35412	35,6	120 - 95	W35412R312
	123	100	153	W35123M	35,0	-	-
	130	104	160	W35502	35,8	130 - 105	W35502R402
	135	104	160	W35506	34,6	135 - 110	W35506R405
	140	110	163	W35508	36,2	140 - 115	W35508R115M
	145	110	163	W35512	34,9	145 - 120	W35512R412
	150	115	169	W35514	36,7	-	-
151	115	169	W35151M	36,5	-	-	
155	115	169	W35602	35,3	155 - 130	W35602R502	

<sup>1)</sup> See page 76 for table of hexagon sizes of bolts, nuts and related thread diameters.

## Accessories for W-Series Wrenches

**ENERPAC**  
POWERFUL SOLUTIONS. GLOBAL FORCE.

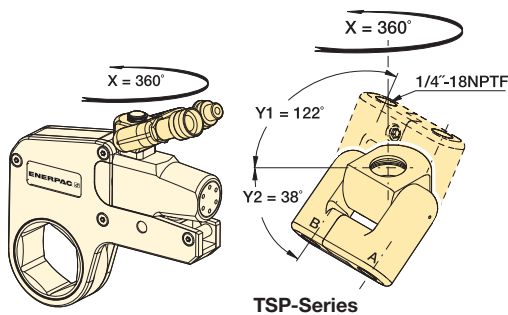


- ① Hexagon Cassette
- ② Drive Unit
- ③ TSP - Pro Series Swivel
- ④ Extended Reaction Arm
- ⑤ Reducer Insert
- ⑥ Reaction Paddle

**TSP  
WTE  
WRP  
Series**



### TSP-Series, Pro Series Swivels

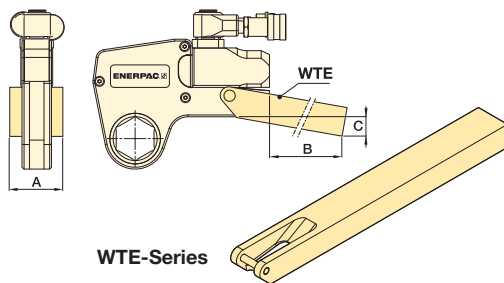


- Featuring Tilt and Swivel technology
- 360° X-axis and 160° Y-axis rotation
- Increases tool fit in restricted access areas
- Simplifies hose placement
- Includes male and female Spin-On couplers.

For Torque Wrench Model Number	Model Number	Maximum Pressure (bar)	Weight (kg)
W2000, W4000	TSP100A	690	0,2
W8000, W15000, W35000	TSP200A	690	0,2

To order an W-series wrench fitted with the TSP swivel, add suffix "P" to the model number. Example: **W2000P**. TSP-swivel include male (TH-630) and female (TR-630) couplers.

### WTE-Series, Extended Reaction Arm

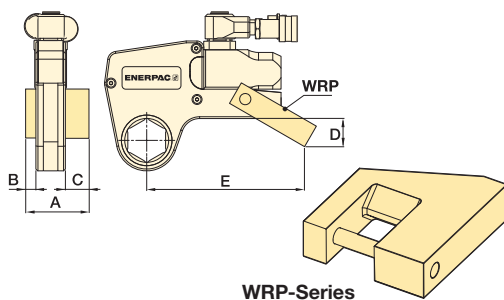


- Full torque rated
- Increases tool fit in restricted access areas.

For Torque Wrench Model Number	Model Number	Dimensions (mm)			Weight (kg)*
		A	B	C	
W2000	WTE20	56	398	76	2,6
W4000	WTE40	66	436	74	4,6
W8000	WTE80	85	449	66	7,6
W15000	WTE150	102	498	72	12,0
W22000	WTE220	114	524	77	17,3
W35000	WTE350	127	419	133	17,8

\* Weights indicated are for the accessories only and do not include the wrench.

### WRP-Series, Low Profile Reaction Paddles



- Lightweight interchangeable design
- Allows for offset reaction when in-line reaction is not available.

For Torque Wrench Model Nr.	Model Number	Dimensions (mm)					Weight (kg)*
		A	B	C	D	E	
W2000	WRP20	84	16	35	45	148	0,4
W4000	WRP40	109	21	47	59	190	0,8
W8000	WRP80	137	26	57	69	223	2,0
W15000	WRP150	165	32	69	87	257	3,9
W22000	WRP220	207	37	91	134	317	7,2
W35000	WRP350	225	42	91	182	367	10,6

\* Weights indicated are for the accessories only and do not include the wrench.