

Electric Drives
and Controls

Hydraulics

Linear Motion and
Assembly Technologies

Pneumatics

Service

Rexroth
Bosch Group

Slotted screen separator Type SUK

RE 50405/09.09

1/4

Technical information

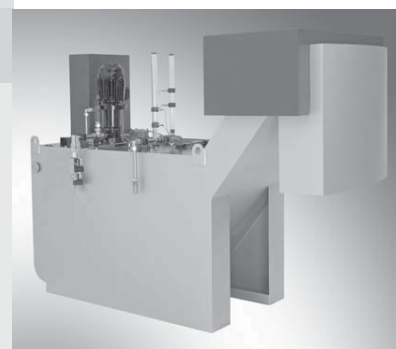


Table of contents

Contents

Introduction
Standard construction
Application
Function
Special features
Unit dimensions
Special equipment

Page

1	Filter medium-free part- and full-flow filtration of oils or emulsions containing swarf and metal particles with an output of 30 - 500 l/min.
2	Filtration is effected by slotted screens for the high-pressure feed and by means of extraction by sedimentation for the low-pressure feed.
3	The compound tank is divided up into coarse, mixing and fine section, the latter in the form of an insert tank with a slotted screen at the bottom and utilizing the effect of geodetic level difference.
4	

Introduction

The compact specialist for cast iron and aluminum processing, steel and non-ferrous metals

- Filter medium-free part- and full-flow filtration of oils or emulsions containing swarf and metal particles with an output of 30 - 500 l/min.
- Filtration is effected by slotted screens for the high-pressure feed and by means of extraction by sedimentation for the low-pressure feed.
- The compound tank is divided up into coarse, mixing and fine section, the latter in the form of an insert tank with a slotted screen at the bottom and utilizing the effect of geodetic level difference.
-

Standard construction

- Robust edge-welded design
- Compound tank – subdivision in coarse, mixing and fine section
- Fine section as insert tank with a slotted screen at the bottom
- Slotted screen of stainless steel, slot width in 50 µm and 75 µm
- Removal slope under 55° with adapted discharge height
- Double-stranded chain with drag-chain angle
- Inlet distributor
- Level control system for slotted screen regeneration
- Dry-running protection of the pump

Application

Filtration of emulsions, solutions, waters, oils up to 75 mm²/s during the machining of steel, cast iron, light and non-ferrous metals and plastics.

Special features

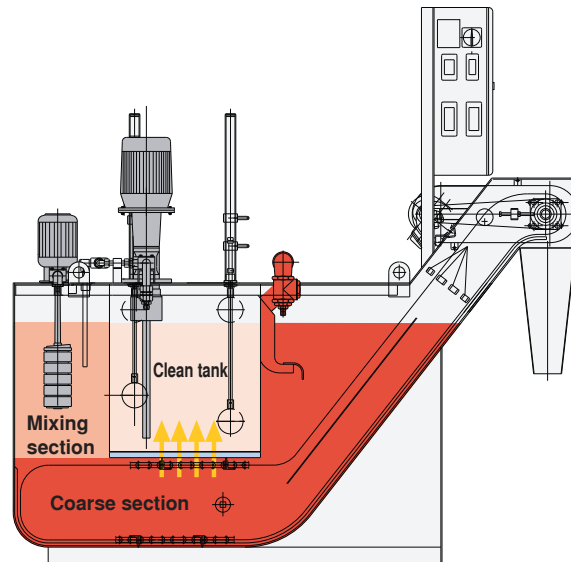
- Part- or full-flow filtration
- Filtration by slotted screens for the high-pressure feed
- Extraction by sedimentation in the coarse and mixing section for the low-pressure feed
- Reliable extraction of problematic impurities, floating swarf and ultra-fine sludges
- No fouling up, no deposits
- Dirt removal over complete tank bottom
- Dry dirt removal
- High operational reliability, few wear parts
- Easy to service and maintain thanks to simple construction
- Easy removal of the slotted screen box from above without draining of the medium
- Wear-free cleaning of the slotted screen
- Fast replacement of the axial cleaning elements
- Good energy balance, low heat influx
- As modular system extendable to suit customer requirements

Function

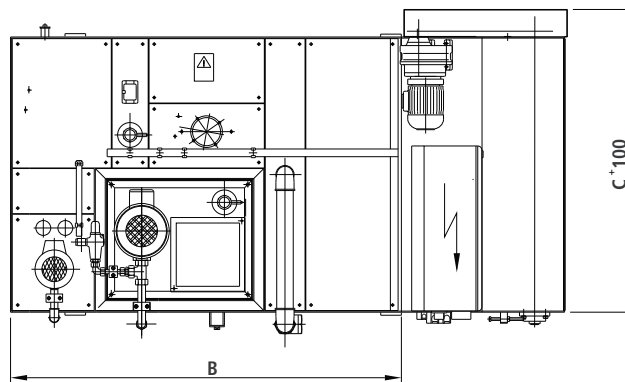
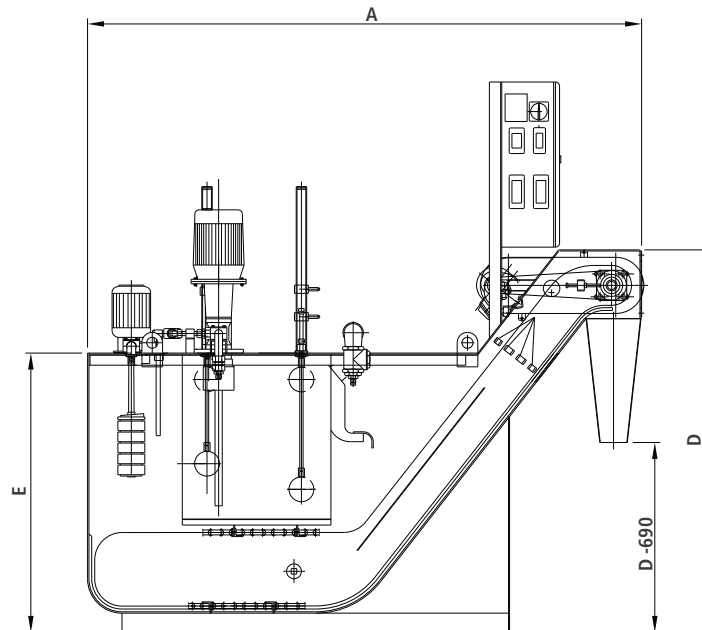
The fluid to be filtered flows into the coarse section of the compound tank system via the inlet distributor and flows through the filtration zones to the slotted screen. The inlet side of the slotted screen faces downwards and is flown against from below.

As a result of the geodetic difference in height between fine and mixing section, the fluid is pressed through the slotted screen.

The impurities contained in the fluid settle underneath the slotted screen and are automatically removed by the scraper equipment. The impurities removed by sedimentation are dragged out over the entire tank bottom, dried on the removal slope and removed.



Unit dimensions (dimensions in mm)



Type SUK	Dimensions				
	A	B	C	D	E
200/450	2010	1415	535	1390	1015
200/900	2010	1415	1000	1390	1015
200/1300	2615	2130	1000	1390	1015
200/3000	3340	2820	1150	1875	1015

Special sizes on request

Special equipment

Type SUK	Filter surface in m ²	Filling volume in dm ³	Heating	Cooling	Filtration rating 25-µm	Pressure 80-120 bar	Centrifuge 15 µm
200/450	0.2	450	•		•		
400/450	0.4	450	•		•		
200/900	0.2	900	•	•	•	•	
400/900	0.4	900	•	•	•	•	
600/900	0.6	900	•	•	•	•	
200/1300	0.2	1300	•	•	•	•	•
400/1300	0.4	1300	•	•	•	•	•
600/1300	0.6	1300	•	•	•	•	•
800/1300	0.8	1300	•	•	•	•	•
200/3000	0.2	3000	•	•	•	•	•
400/3000	0.4	3000	•	•	•	•	•
600/3000	0.6	3000	•	•	•	•	•
800/3000	0.8	3000	•	•	•	•	•
1200/3000	1.2	3000	•	•	•	•	•

Special sizes on request

© This document, as well as the data, specifications and other information set forth in it, are the exclusive property of Bosch Rexroth AG. It may not be reproduced or given to third parties without its consent. The data specified above only serve to describe the product. No statements concerning a certain condition or suitability for a certain application can be derived from our information. The information given does not release the user from the obligation of own judgment and verification. It must be remembered that our products are subject to a natural process of wear and aging.