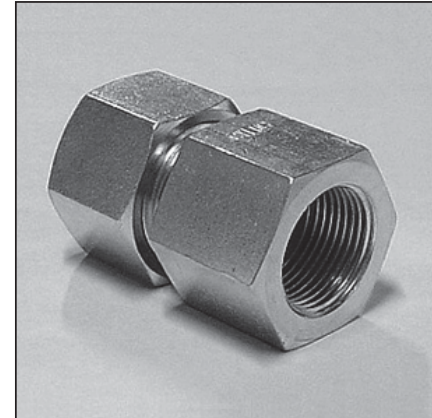
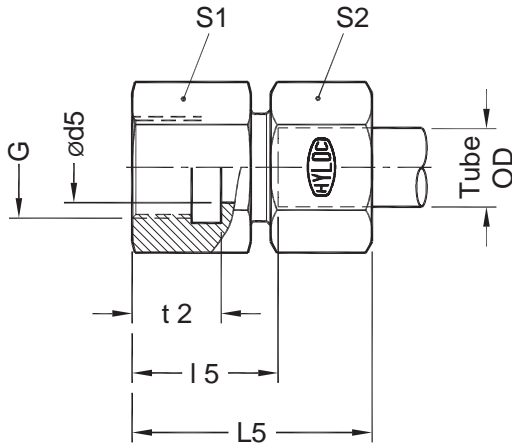


## Straight Female Couplings

GAI-G

Metric Tube end as per ISO 8434

Female BSPP (G) threads



\*

Part No.	Series	Tube OD	G	Ød5	t 2	l 5	L5	S1	S2
<b>GAI06PLG</b>	<b>Light L</b> 250 bar	6	G 1/8	4	12.0	19.0	34.5	14	14
<b>GAI08PLG</b>		8	G 1/4	6	17.0	24.0	39.0	19	17
<b>GAI10PLG</b>		10	G 1/4	8	17.0	25.0	40.5	19	19
<b>GAI12PLG</b>		12	G 3/8	10	17.0	26.0	41.0	24	22
<b>GAI15PLG</b>		15	G 1/2	12	20.0	31.0	47.0	27	27
<b>GAI18PLG</b>	160 bar	18	G 1/2	15	20.0	30.5	47.5	27	32
<b>GAI22PLG</b>		22	G 3/4	19	22.0	35.5	52.5	36	36
<b>GAI28PLG</b>	100 bar	28	G 1	24	24.5	38.0	56.0	41	41
<b>GAI35PLG</b>		35	G1.1/4	30	26.5	41.0	64.0	55	50
<b>GAI42PLG</b>		42	G1.1/2	36	28.5	42.5	66.0	60	60
<b>GAI06PSG</b>	<b>Heavy S</b> 630 bar	6	G 1/4	4	17.0	26.0	41.5	19	17
<b>GAI08PSG</b>		8	G 1/4	5	17.0	26.0	41.0	19	19
<b>GAI10PSG</b>		10	G 3/8	7	17.0	26.5	43.5	24	22
<b>GAI12PSG</b>		12	G 3/8	8	17.0	26.5	43.0	24	24
<b>GAI16PSG</b>	400 bar	16	G 1/2	12	20.0	31.5	50.5	30	30
<b>GAI20PSG</b>		20	G 3/4	16	22.0	34.5	57.5	36	36
<b>GAI25PSG</b>		25	G 1	20	24.5	37.5	62.5	41	46
<b>GAI30PSG</b>	250 bar	30	G 1.1/4	25	26.5	42.0	70.0	55	50
<b>GAI38PSG</b>		38	G 1.1/2	32	28.5	43.5	75.0	60	60

Dimensions in mm

DIN Fittings

\* Dimensions given are approx figures with tightened nut.