

Electric Drives
and Controls

Hydraulics

Linear Motion and
Assembly Technologies

Pneumatics

Service

Rexroth
Bosch Group

Subplates size 10 with porting pattern to DIN 24340 form A and ISO 4401

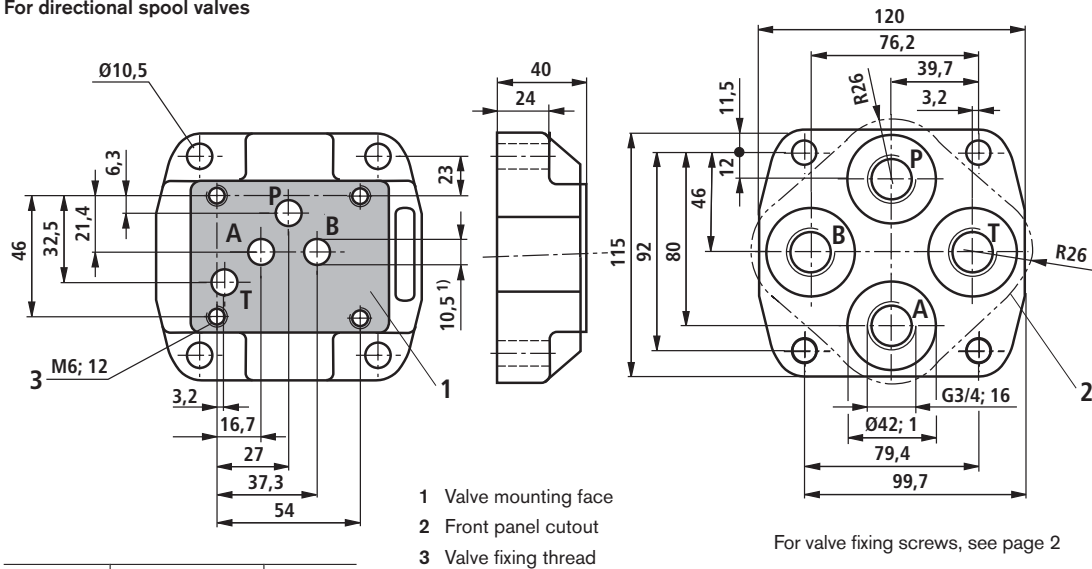
RE 45054/10.05
Replaces: 01.03

1/4

Size 10

G 534/01 (G3/4) (nominal dimensions in mm)

For directional spool valves

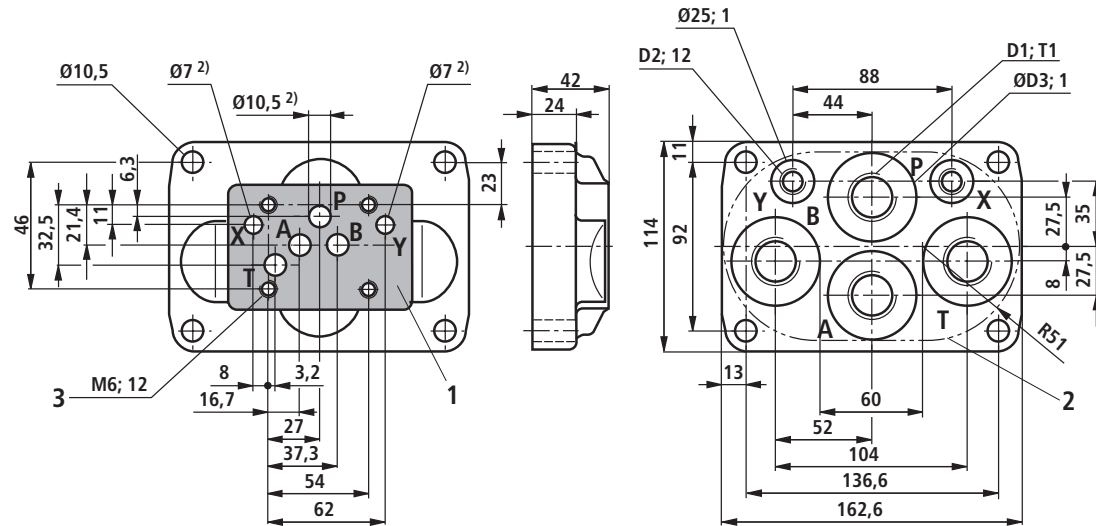


Type	Material no.	Weight in kg
G 534/01	R900467259	approx. 2,5

¹⁾ Deviating from ISO 4401 and DIN 24340!

Types G 535/01; G 535/02; G 536/01; G 536/02 (nominal dimensions in mm)

For directional spool valves



Type	Material no.	Weight in kg	D1	D2	ØD3	T1	Valve fixing screws ¹⁾ (separate order)	M _T in Nm
G 535/01	R900476061	approx. 3.6	G3/4	G1/4	42	16	4 socket head cap screws ISO 4762 - M6 - 10.9	15.5
G 535/02	R900339376		M27x2	M14x1.5	42	16		
G 536/01	R900476059		G1	G1/4	47	18		
G 536/02	R900489146		M33x2	M14x1.5	47	18		

- 1 Valve mounting face
- 2 Front panel cutout
- 3 Valve fixing thread

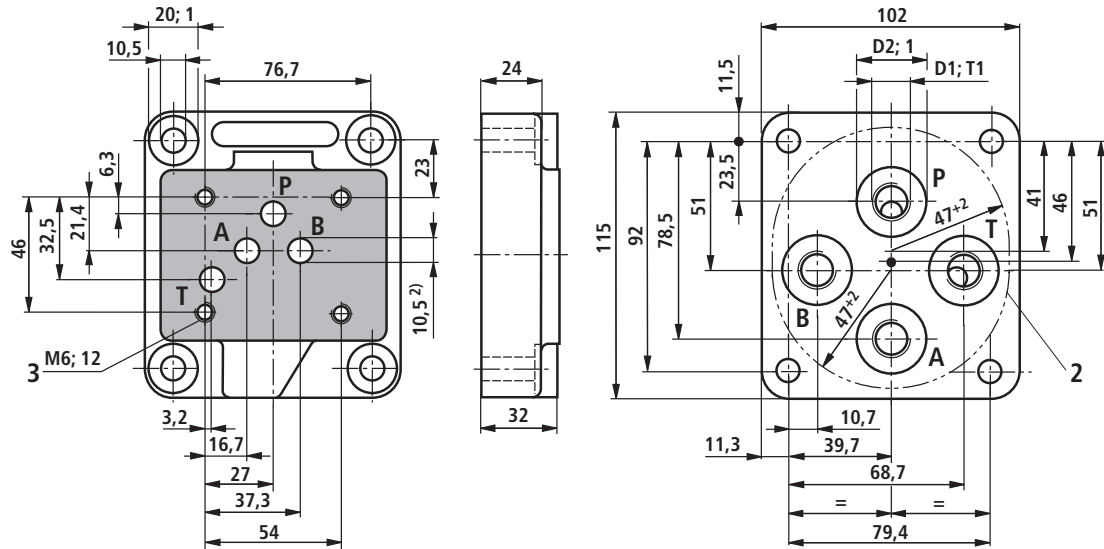
¹⁾ **Notes on valve fixing screws:**

The length and tightening torque of valve fixing screws depend on the valve types and sandwich plates possibly provided.

- ²⁾ Deviating from ISO 4401 and DIN 24340!

Type G 66/01 (G3/8); G 67/01 (G1/2) (nominal dimensions in mm)

For directional spool valves and directional poppet valves up to 315 bar



Type	Material no.	Weight in kg	D1	ØD2	T1	Valve fixing screws ¹⁾ (separate order)	M _T in Nm
G 66/01	R900424457	approx. 2.3	G3/8	28	12	4 socket head cap screws ISO 4762 - M6 - 10.9	15.5
G 67/01	R900424460		G1/2	34	14		

- 1 Valve mounting face
- 2 Front panel cutout
- 3 Valve fixing thread

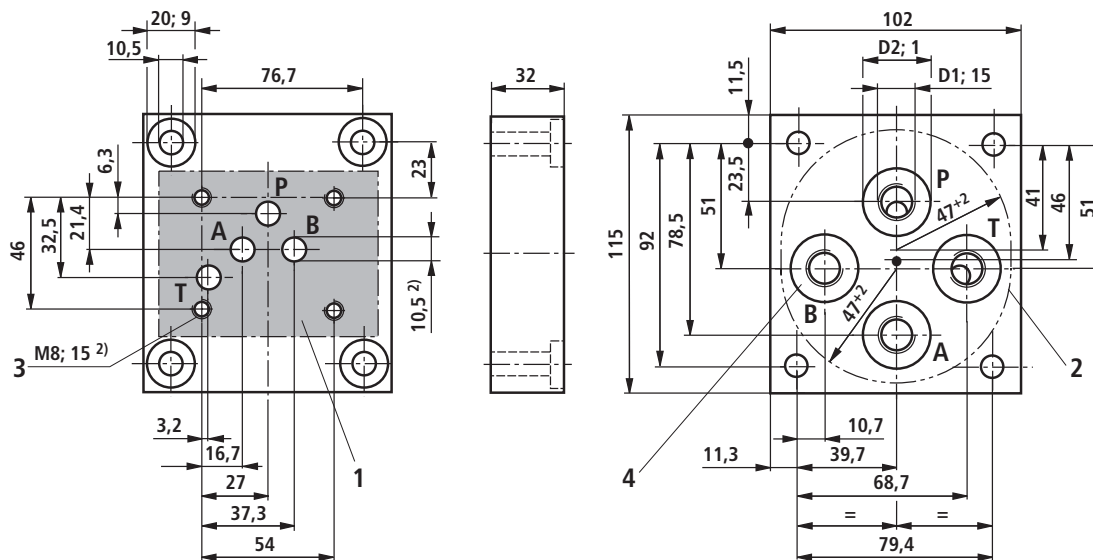
¹⁾ **Notes on valve fixing screws:**

The length and tightening torque of valve fixing screws depend on the valve types and sandwich plates possibly provided.

²⁾ Deviating from ISO 4401 and DIN 24340!

Types G 292/01 (G1/2); G 308/01 (G3/8); G 377/01 (G3/8); G 378/01 (G1/2) (nominal dimensions in mm)

For directional poppet valves up to 630 bar
(not suitable for proportional and servo-valves!)



Type	Material no.	Weight in kg	D1	ØD2	Valve fixing screws ¹⁾ (separate order)	M _T in Nm
G 292/01	R900424444	approx. 2.5	G1/2	34	4 socket head cap screws ISO 4762 - M8 - 10.9	37
G 308/01	R900422648		G3/8	28		
G 377/01	R900464300		G3/8	28		
G 378/01	R900433026		G1/2	34		

- 1 Valve mounting face
- 2 Front panel cutout
- 3 Valve fixing thread
- 4 Port B is **not** provided on subplates G 292/01 and G 308/01!

¹⁾ **Notes on valve fixing screws:**

The length and tightening torque of valve fixing screws depend on the valve types and sandwich plates possibly provided.

²⁾ Deviating from ISO 4401 and DIN 24340!

© This document, as well as the data, specifications and other information set forth in it, are the exclusive property of Bosch Rexroth AG. It may not be reproduced or given to third parties without its consent.

The data specified above only serve to describe the product. No statements concerning a certain condition or suitability for a certain application can be derived from our information. The information given does not release the user from the obligation of own judgment and verification. It must be remembered that our products are subject to a natural process of wear and aging.