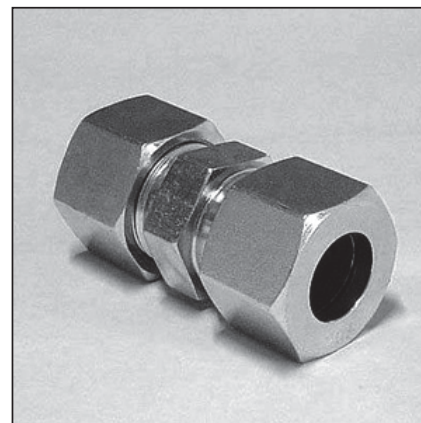
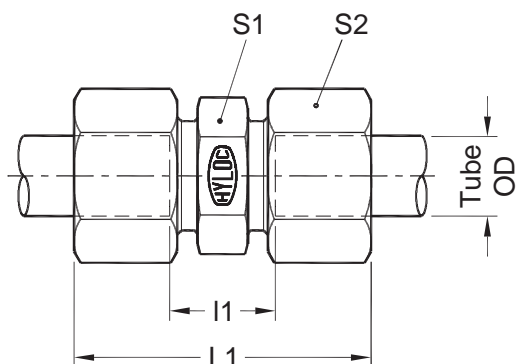


## Straight Couplings

G

Metric Tube end as per ISO 8434



\*

Part No.	Series	Tube OD	I 1	L 1	S 1	S 2
<b>G06PL</b>	<b>Light L</b> 250 bar	6	10	41	12	14
<b>G08PL</b>		8	11	41	14	17
<b>G10PL</b>		10	13	44	17	19
<b>G12PL</b>		12	14	44	19	22
<b>G15PL</b>		15	16	48	24	27
<b>G18PL</b>	160 bar	18	16	50	27	32
<b>G22PL</b>		22	20	54	32	36
<b>G28PL</b>	100 bar	28	21	57	41	41
<b>G35PL</b>		35	20	66	46	50
<b>G42PL</b>		42	21	68	55	60
<b>G06PS</b>	<b>Heavy S</b> 630 bar	6	16	47	14	17
<b>G08PS</b>		8	18	48	17	19
<b>G10PS</b>		10	17	51	19	22
<b>G12PS</b>		12	19	52	22	24
<b>G16PS</b>	400 bar	16	21	59	27	30
<b>G20PS</b>		20	23	68	32	36
<b>G25PS</b>		25	26	76	41	46
<b>G30PS</b>	250 bar	30	27	83	46	50
<b>G38PS</b>		38	29	92	55	60

Dimensions in mm

DIN Fittings

\* Dimensions given are approx figures with tightened nut.