

Electric Drives  
and Controls

Hydraulics

Linear Motion and  
Assembly Technologies

Pneumatics

Service

**Rexroth**  
Bosch Group

## Electronic pressure switch with two switching outputs

**RE 30278/04.14** 1/6  
Replaces: 03.06  
RE 30275

Type HEDE 10.../2/

Component series 2X



tb0002

### Table of contents

Contents	Page
Features	1
Ordering code	2
Technical data	2 and 3
Pin assignment K41	3
Unit dimensions	4
Accessories	5 and 6

### Features

- Suitable for measuring pressures and converting the measured values into electrical signal variables in hydraulic systems
- EMC properties allow the use also in critical applications
- Sensor ceramic / capacitive
- Connecting cable with 4-pin M12 plug on the housing
- Accuracy class 1.0
- Connection thread G1/4
- Parts that are in contact with the medium are made of stainless steel, ceramics or FKM
- Compact design
- Two switching outputs



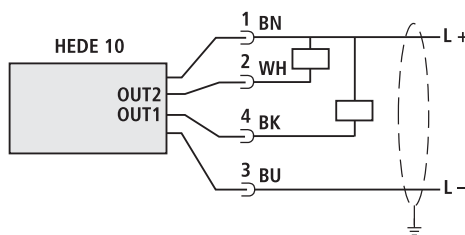
## Technical data (continued)

<b>Programming options</b>	Hysteresis / window; n.o. / n.c; pick-up, drop-out delay; damping; unit of indication / diagnosis output				
Pressure stages		100	250	400	600
Switching point SP	bar	1.0 ... 100	2 ... 250	4 ... 400	6 ... 600
Resetting point, rP	bar	0.5 ... 99.5	1 ... 249	2 ... 398	3 ... 597
in increments of	bar	0.5	1	2	3
Adjustable response time of a switching output and resulting switching frequency	Response time (dAP) ms Hz	3 ... 500 170 ... 1			
Adjustable delay dS, dr	s	0.0; 0.2 ... 50.0			
<b>Environmental compatibility</b>					
Type of protection / housing to IEC 60529	IP67				
Protection class to EN 50178	III				
Insulation resistance	MΩ	> 100 (500 VDC)			
Resistance to shock to IEC 60068-2-27	g	50 g, 11 ms			
Resistance to vibration	g	20 g, 10 – 2000 Hz			
Switching cycles min.	100 million / 50 million with pressure stage 600 bar				
Approval	cULus				
EMC	EN 61000-4-2 ESD EN 61000-4-3 HF radiated EN 61000-4-4 burst EN 61000-4-5 surge EN 61000-4-6 HF cable-bound	4 / 8 kV 10 V/m 2 kV 0,5 / 1 kV 10 V			
Housing material	EPDM/X (Santoprene); FKM; PBTP (Pocan); PC (Macrolon); V2A (1.4301)				
Materials in contact with the medium	V2A (1.4305); ceramics; FKM				
Connection	M12 plug-in connection, gold-plated contacts				

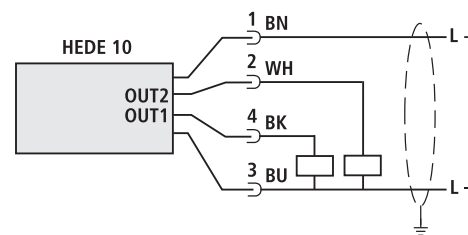
## Pin assignment K41

Two switching outputs:

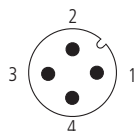
low-side switching (NPN)



high-side switching (PNP)

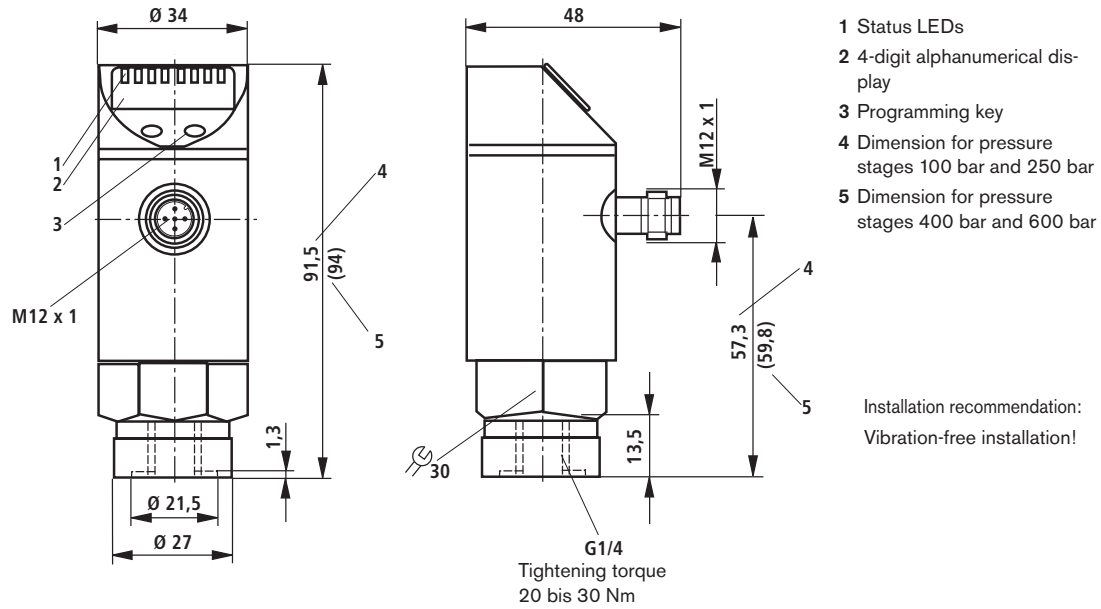


Detail view on the plug of the device:



1	BN	Brown
2	WH	White
3	BU	Blue
4	BK	Black

## Unit dimensions (nominal dimensions in mm)



## Accessories

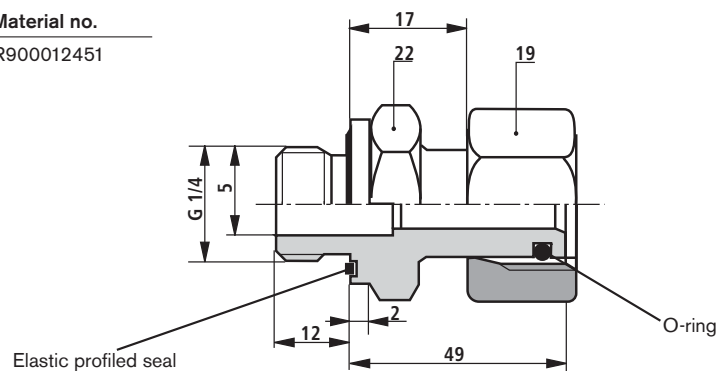
### Cable sockets:

Technical data:		Designation		Material no.	
Current carrying capacity	4 A		04 POL (with 2 m cable)	R900773031	
Temperature range	-25...90°C		04 POL (with 5 m cable)	R900779498	
Type of protection	IP 67				
Contacts	CuZn				
Contact surface	Gold-plated				
Housing	TPU				
Seal	FKM		04 POL (with 2 m cable)	R900779504	
Fitting	CuZn/Ni		04 POL (with 5 m cable)	R900779503	
Wire cross-section	4 x 0.34 mm				
Sheath material	PUR				
Shield	Not connected on plug side				
Sheath diam.	Ø 5.0 mm				
Sheath colour	Black				
Bending radius for dyn. application	min. 50 mm				
<b>Connection:</b> 			04 POL (without cable) <sup>1)</sup>	R900773042	
			04 POL (without cable) <sup>1)</sup>	R900779509	

<sup>1)</sup> Type of protection IP68

### Hydraulic fitting:

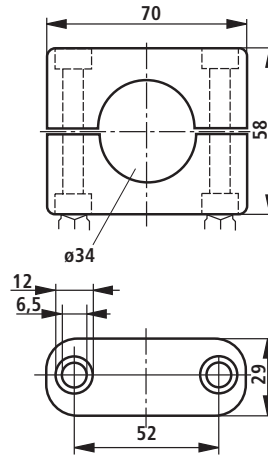
Designation	Material no.
AB 20-28	R900012451



## Accessories (continued)

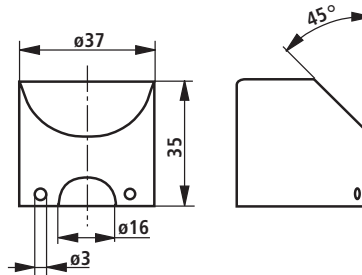
### Fixing clamp for HEDE10

Designation	Material no.
Fixing clamp	R900786138



### Protective cap for HEDE10

Designation	Material no.
Protective cap M12	R900786141



© This document, as well as the data, specifications and other information set forth in it, are the exclusive property of Bosch Rexroth AG. It may not be reproduced or given to third parties without its consent. The data specified above only serve to describe the product. No statements concerning a certain condition or suitability for a certain application can be derived from our information. The information given does not release the user from the obligation of own judgment and verification. It must be remembered that our products are subject to a natural process of wear and aging.