

Electric Drives
and Controls

Hydraulics

Linear Motion and
Assembly Technologies

Pneumatics

Service

Rexroth
Bosch Group

Subplates size 10 and size 16 with porting pattern according to DIN 24340 form G, ISO 6263 and CETOP-RP 121 H

RE 45066/02.11
Replaces: 01.03

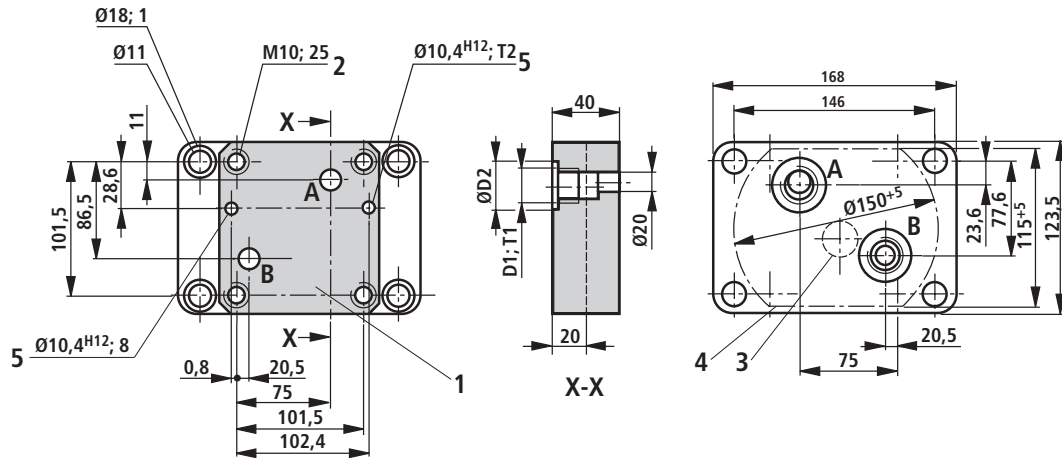
1/4

Maximum operating pressure 350 bar
Size 10 and 16

Table of contents

Contents	Page
Type G 279/01 (G 1/2); G 280/01 (G 3/4) - size 10	2
Type G 281/01 (G 1); G 282/01 (G 1 1/4) - size 16	3

Type G 281/01 (G 1); G 282/01 (G 1 1/4) - size 16 (nominal dimension in mm)



Type	Material no.	D1	ØD2	T1	T2	Weight in kg	Valve mounting screws
G 281/01	R900424440	G 1	47	19	8	4	4 hexagon socket head cap screws ISO 4762 - M10 - 10.9 (separate order)
G 282/01	R900424442	G 1 1/4	56	21	4.5	4	

- 1 Valve mounting face, ground
- 2 Valve mounting bores
- 3 Ø30; keep free from bores for orifice support
- 4 Front panel break-through
- 5 Bore for locating pin

Note on the valve mounting screws:
Length and tightening torque of the screws depend on the valve types and the sandwich plates that might be provided.

Notes

© This document, as well as the data, specifications and other information set forth in it, are the exclusive property of Bosch Rexroth AG. It may not be reproduced or given to third parties without its consent. The data specified above only serve to describe the product. No statements concerning a certain condition or suitability for a certain application can be derived from our information. The information given does not release the user from the obligation of own judgment and verification. It must be remembered that our products are subject to a natural process of wear and aging.