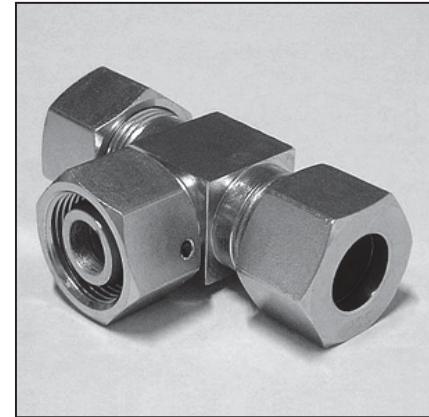
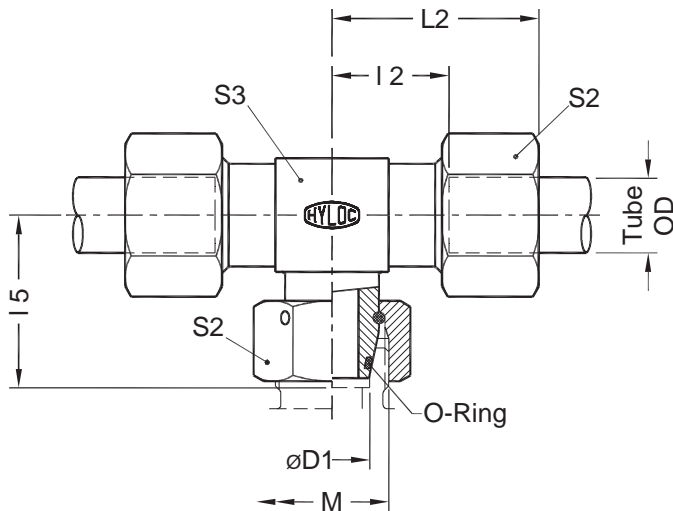


Swivel Branch Tee Couplings with O-Ring

ET

Metric Tube end as per ISO 8434



Part No.	Series	Tube OD (øD1)	M	l2	15	L2	S2	S3	O' Ring I.D x C.S.D.
ET06PL	Light L 315 bar	6	M12 x 1.5	12.0	26.0	27.5	14	12	4.0 x 1.5
ET08PL		8	M14 x 1.5	14.0	27.5	29.0	17	14	6.0 x 1.5
ET10PL		10	M16 x 1.5	15.0	29.0	30.5	19	17	7.5 x 1.5
ET12PL		12	M18 x 1.5	17.0	29.5	32.0	22	19	9.0 x 1.5
ET15PL		15	M22 x 1.5	21.0	32.5	37.0	27	22	12.0 x 2.0
ET18PL		18	M26 x 1.5	23.5	35.5	40.5	32	27	15.0 x 2.0
ET22PL	160 bar	22	M30 x 2.0	27.5	38.5	44.5	36	30	20.0 x 2.0
ET28PL		28	M36 x 2.0	30.5	41.5	48.5	41	36	26.0 x 2.0
ET35PL		35	M45 x 2.0	34.5	51.0	57.5	50	46	32.0 x 2.5
ET42PL		42	M52 x 2.0	40.0	56.0	63.5	60	55	38.0 x 2.5
ET06PS	Heavy S 630 bar	6	M14 x 1.5	16.0	27.0	31.5	17	14	4.0 x 1.5
ET08PS		8	M16 x 1.5	17.0	27.5	32.0	19	17	6.0 x 1.5
ET10PS		10	M18 x 1.5	17.5	30.0	34.5	22	19	7.5 x 1.5
ET12PS		12	M20 x 1.5	21.5	31.0	38.0	24	22	9.0 x 1.5
ET16PS	400 bar	16	M24 x 1.5	24.5	36.5	43.5	30	24	12.0 x 2.0
ET20PS		20	M30 x 2.0	26.5	44.5	49.0	36	30	16.3 x 2.4
ET25PS		25	M36 x 2.0	30.0	50	55.0	46	36	20.3 x 2.4
ET30PS		30	M42 x 2.0	35.5	55	63.5	50	46	25.3 x 2.4
ET38PS	315 bar	38	M52 x 2.0	41.0	63	72.5	60	55	33.3 x 2.4

Dimensions in mm

DIN Fittings

* Dimensions given are approx figures with tightened nut.