



Valve Housing CV2 – with PRV



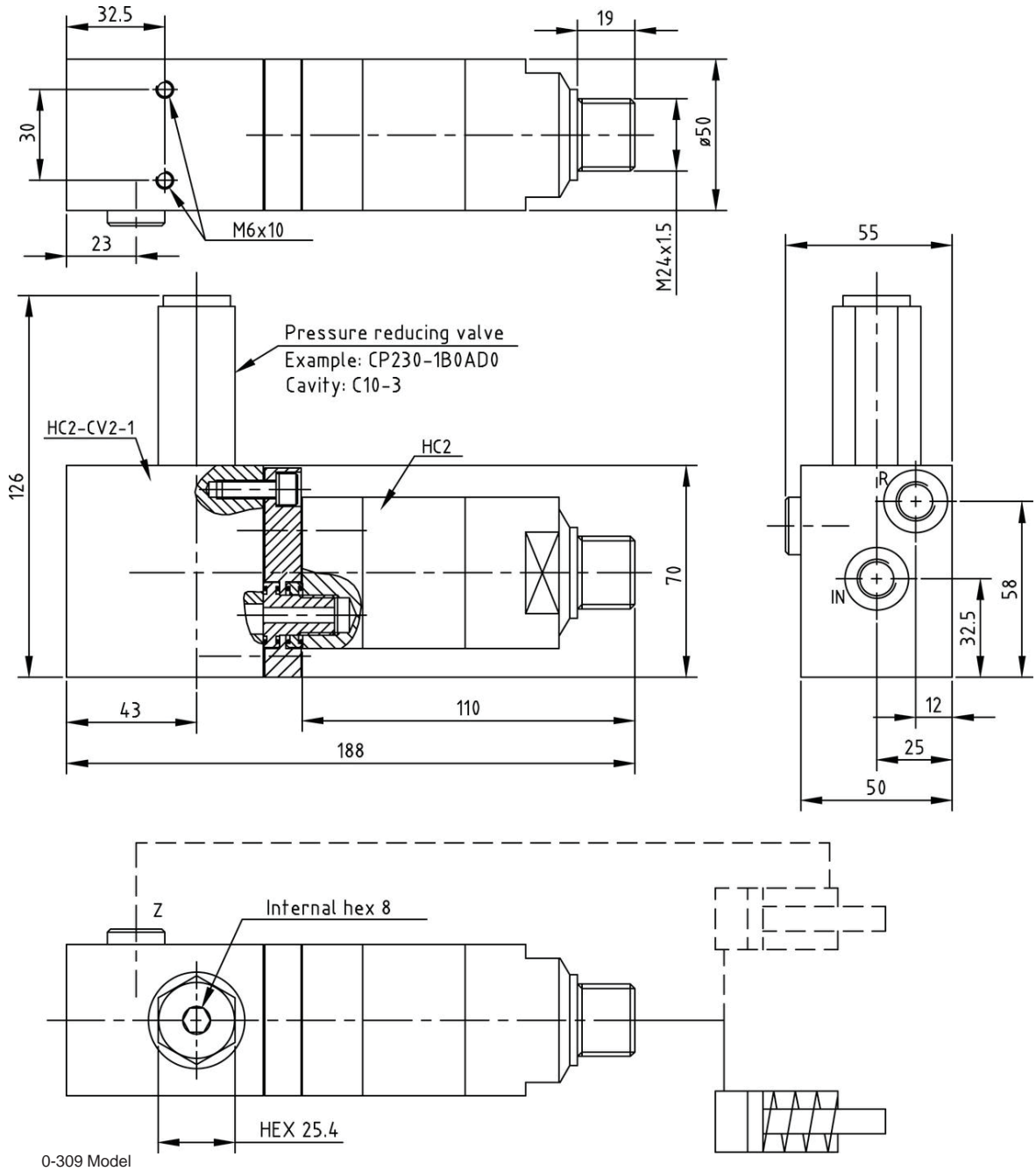
The miniBOOSTER valve housing is used for mounting various accessory components directly to the miniBOOSTER. This saves space and reduces the cost of using stand alone components for these functions. The valve housing and components selected will be factory mounted, tested and sized based on the model of miniBOOSTER selected. Housing material, aluminum.

Description

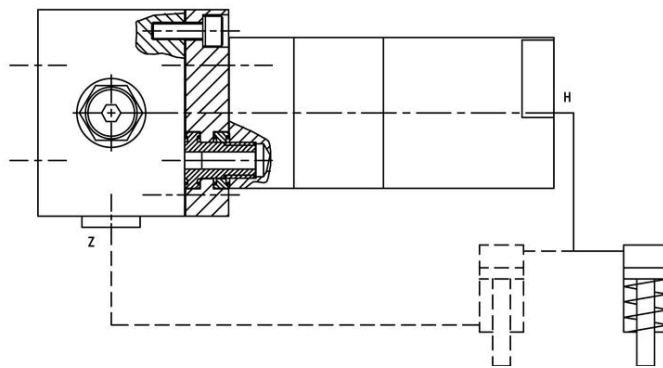
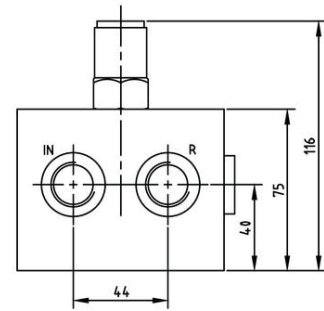
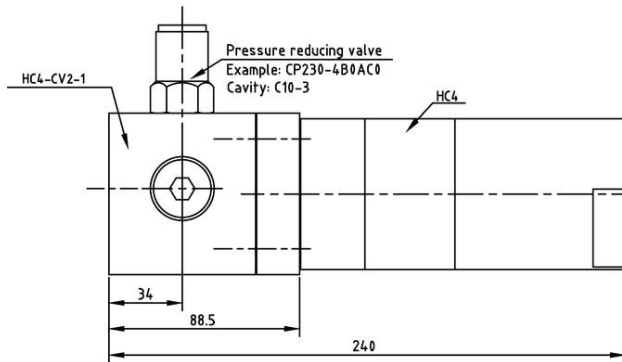
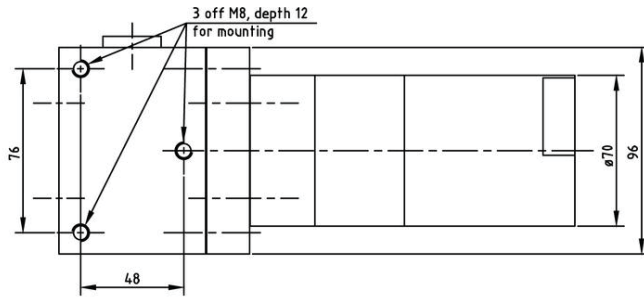
The CV2 incorporates a Pressure Reducing Valve (PRV) to control inlet pressure to the miniBOOSTER and an option of orifices to reduce inlet flow to the maximum allowed for the intensification ratio selected.



Dimensions (valve housing CV2 for HC2, HC7 & HC8)

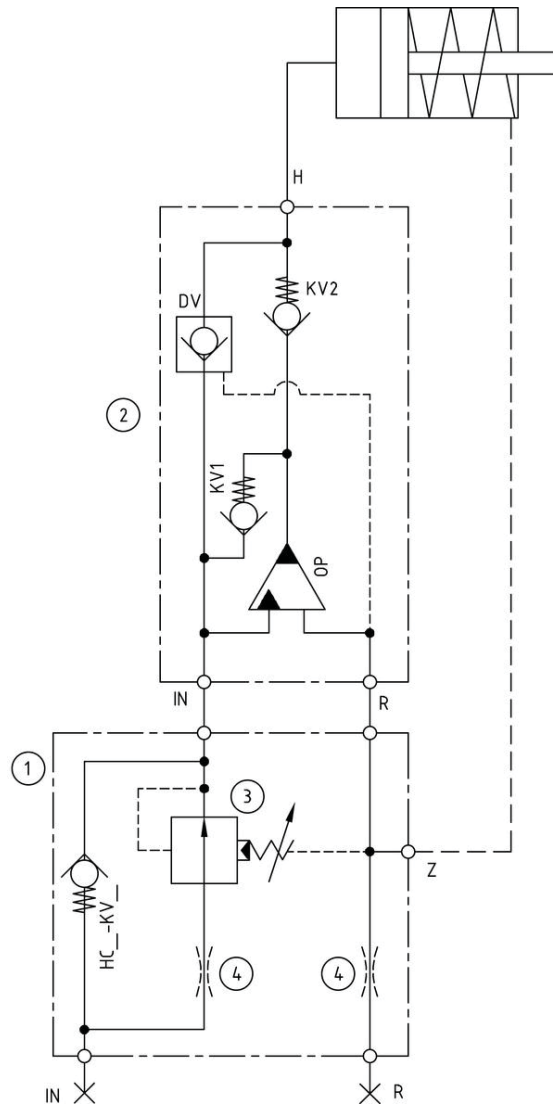


Dimensions (valve housing CV2 for HC4)



0-355x

Functions



Function Diagram 1. Orifice(s) (optional) 2. PRV Cartridge (C10-3 Style) 3. Housing 4. HC2, HC4, HC7 or HC8

Ordering a valve housing CV2 for HC2

Example of ordering a complete unit:
1 off Valve housing HC2 – CV2 – 1
1 off Pressure reducing valve CP230-1B0AD0, cavity: C10-3
1 off miniBOOSTER HC2 – 4.0 – B – 1

Model	Valve House	Connections
your selection...	CV2	your selection...
For HC2, HC7 and HC8		1 = 1/4" BSP 2 = 7/16 - 20 UNF
HC4		1 = 3/8" BSP 2 = 9/16 - 18 UNF