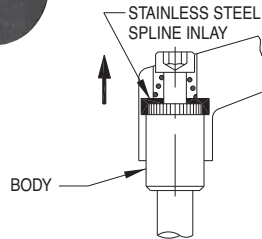
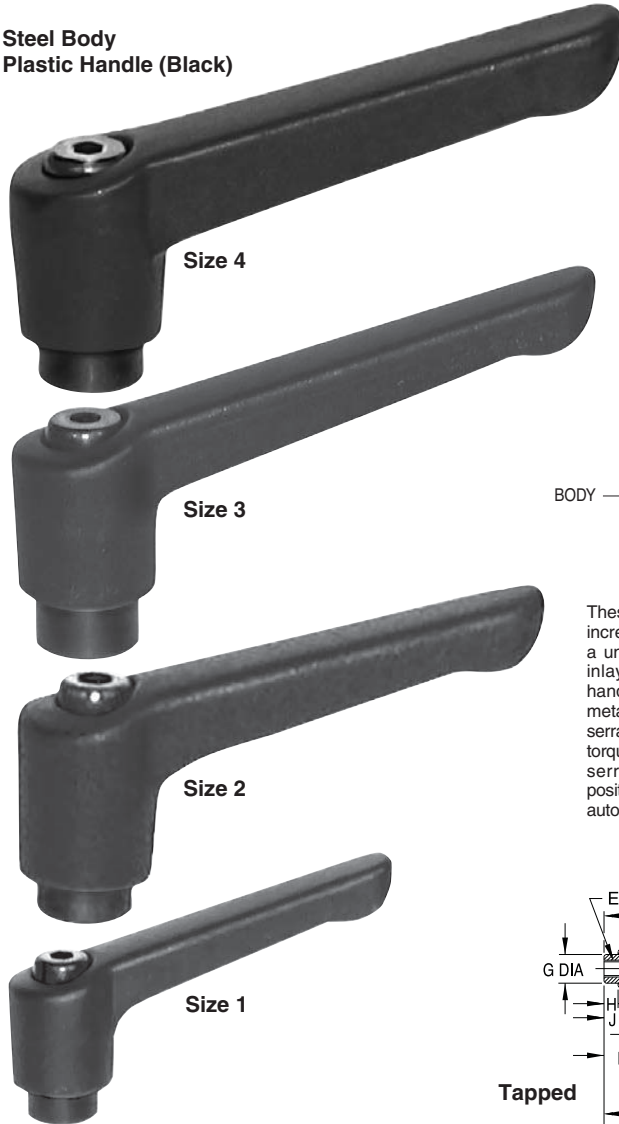


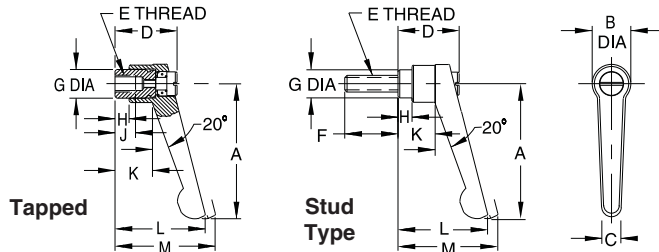
## ADJUSTABLE HANDLES

HANDLE: FIBER-REINFORCED THERMOPLASTIC WITH STAINLESS STEEL INSERT  
BODY, SCREW, AND SPRING: STEEL, BLACK OXIDE FINISH

Steel Body  
Plastic Handle (Black)



These Adjustable Handles are incredibly strong! They feature a unique stainless steel spline inlay, molded into the plastic handle. This provides positive metal-to-metal mating with the serrated body, for high clamping torque. Lift handle to disengage serrations, rotate to desired position, then release handle to automatically re-engage spline.



Adjustable handle that can be reset to any angle. Ideal for clamping in a confined space, or when a specific handle position is desired. Available in steel (with a black plastic handle) or stainless steel (with a metallic-gray plastic handle, see page 130). Rugged spring-loaded spline mechanism. Choice of four handle sizes. Available with a tapped hole or with an integral stud. Note: Catalog photos above are actual size.



### TAPPED (USA)

PART NO. STEEL BLACK	SIZE	E	J
CL-3-AHP-1	1	#10-32	.31
CL-4-AHP-1	2	1/4-20	.39
CL-4-AHP-2	2	1/4-20	.39
CL-5-AHP-2	3	5/16-18	.55
CL-5-AHP-3	3	5/16-18	.55
CL-6-AHP-3	3	3/8-16	.67
CL-6-AHP-4	4	3/8-16	.67
CL-8-AHP-4	4	1/2-13	.67

### TAPPED (METRIC)

PART NO.	SIZE	E	J
CLM-6-AHP-1	1	M6	.31
CLM-8-AHP-2	2	M8	.39
CLM-10-AHP-3	3	M10	.55
CLM-12-AHP-4	4	M12	.67

### STUD TYPE (USA)

PART NO. STEEL BLACK	SIZE	E	F
CL-408-AHP-1	1	1/4-20	.78
CL-416-AHP-1	1	1/4-20	1.57
CL-508-AHP-2	2	5/16-18	.78
CL-516-AHP-2	2	5/16-18	1.57
CL-525-AHP-2	2	5/16-18	2.48
CL-610-AHP-3	3	3/8-16	.98
CL-616-AHP-3	3	3/8-16	1.57
CL-625-AHP-3	3	3/8-16	2.48
CL-813-AHP-4	4	1/2-13	1.26
CL-816-AHP-4	4	1/2-13	1.57
CL-825-AHP-4	4	1/2-13	2.48

### STUD TYPE (METRIC)

PART NO.	SIZE	E	F
CLM-620-AHP-1	1	M6	.78
CLM-640-AHP-1	1	M6	1.57
CLM-820-AHP-2	2	M8	.78
CLM-840-AHP-2	2	M8	1.57
CLM-1030-AHP-3	3	M10	1.26
CLM-1050-AHP-3	3	M10	1.97
CLM-1230-AHP-4	4	M12	1.26
CLM-1250-AHP-4	4	M12	1.97

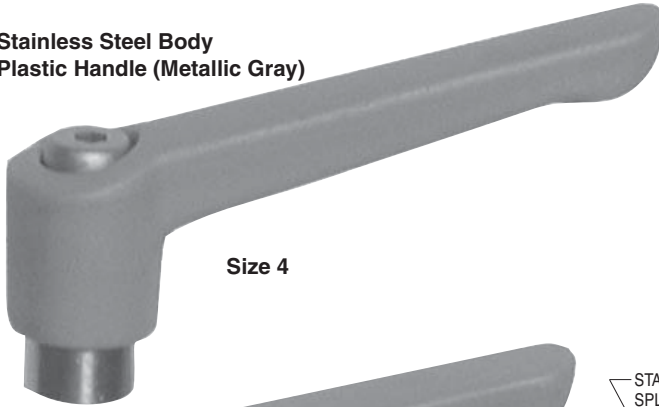
### GENERAL DIMENSIONS

SIZE	A	B DIA	C	D	G DIA	H	K	L	M
1	1-3/4	19/32	5/16	31/32	3/8	5/32	7/16	1-3/8	1-1/2
2	2-1/2	3/4	13/32	1-7/32	17/32	1/4	13/16	1-25/32	1-15/16
3	3-1/16	7/8	17/32	1-7/16	5/8	5/16	7/8	2-5/32	2-5/16
4	3-5/8	1	9/16	1-11/16	3/4	7/16	1-3/16	2-9/16	2-23/32

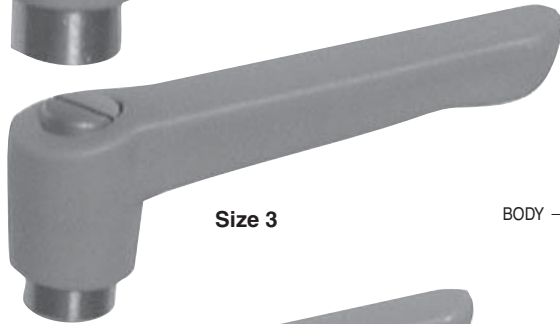
## ADJUSTABLE HANDLES

HANDLE: FIBER-REINFORCED THERMOPLASTIC WITH STAINLESS STEEL INSERT  
BODY, SCREW, AND SPRING: 300-SERIES STAINLESS STEEL

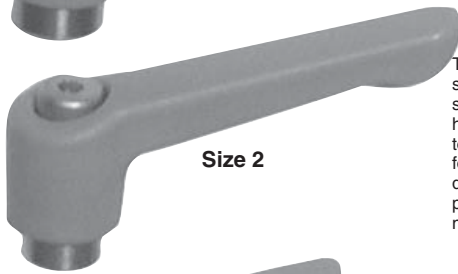
Stainless Steel Body  
Plastic Handle (Metallic Gray)



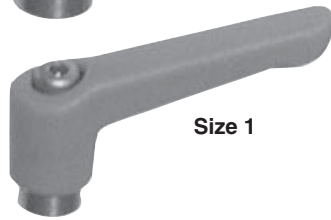
Size 4



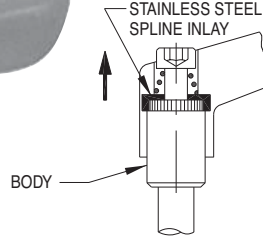
Size 3



Size 2

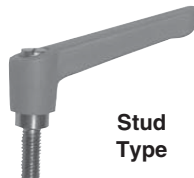


Size 1



These Adjustable Handles are incredibly strong! They feature a unique stainless steel spline inlay, molded into the plastic handle. This provides positive metal-to-metal mating with the serrated body, for high clamping torque. Lift handle to disengage serrations, rotate to desired position, then release handle to automatically re-engage spline.

Adjustable handle that can be reset to any angle. Ideal for clamping in a confined space, or when a specific handle position is desired. Available in stainless steel (with a metallic-gray plastic handle), or steel (with a black plastic handle, see page 129). Rugged spring-loaded spline mechanism. Choice of four handle sizes. Available with a tapped hole or with an integral stud. Note: Catalog photos above are actual size.



### TAPPED (USA)

PART NO.	STAINLESS METALLIC GRAY	SIZE	E	J
CL-3-AHP-1-S		1	#10-32	.31
CL-4-AHP-1-S		1	1/4-20	
CL-4-AHP-2-S		2	1/4-20	.39
CL-5-AHP-2-S		2	5/16-18	
CL-5-AHP-3-S		3	5/16-18	.55
CL-6-AHP-3-S		3	3/8-16	
CL-6-AHP-4-S		4	3/8-16	.67
CL-8-AHP-4-S		4	1/2-13	

### TAPPED (METRIC)

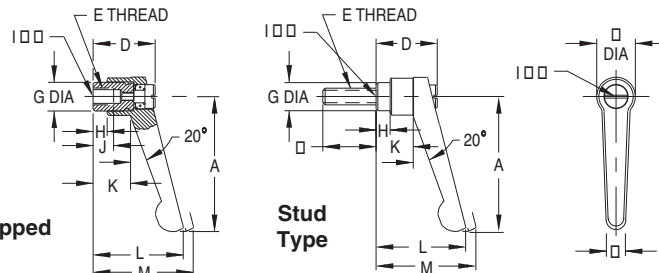
CLM-6-AHP-1-S	CLM-8-AHP-2-S	CLM-10-AHP-3-S	CLM-12-AHP-4-S
1	2	3	4
M6	M8	M10	M12
.31	.39	.55	.67

### STUD TYPE (USA)

PART NO.	STAINLESS METALLIC GRAY	SIZE	E	F
CL-408-AHP-1-S		1	1/4-20	.78
CL-416-AHP-1-S		1		1.57
CL-508-AHP-2-S		2	5/16-18	.78
CL-516-AHP-2-S		2		1.57
CL-525-AHP-2-S		2		2.48
CL-610-AHP-3-S		3	3/8-16	.98
CL-616-AHP-3-S		3		1.57
CL-625-AHP-3-S		3		2.48
CL-813-AHP-4-S		4	1/2-13	1.26
CL-816-AHP-4-S		4		1.57
SCL-825-AHP-4-S		4		2.48

### STUD TYPE (METRIC)

CLM-620-AHP-1-S	CLM-640-AHP-1-S	CLM-820-AHP-2-S	CLM-840-AHP-2-S	CLM-1030-AHP-3-S	CLM-1050-AHP-3-S	CLM-1230-AHP-4-S	CLM-1250-AHP-4-S
1	1	2	2	3	3	4	4
M6	M6	M8	M8	M10	M10	M12	M12
.78	1.57	.78	1.57	1.26	1.97	1.26	1.97



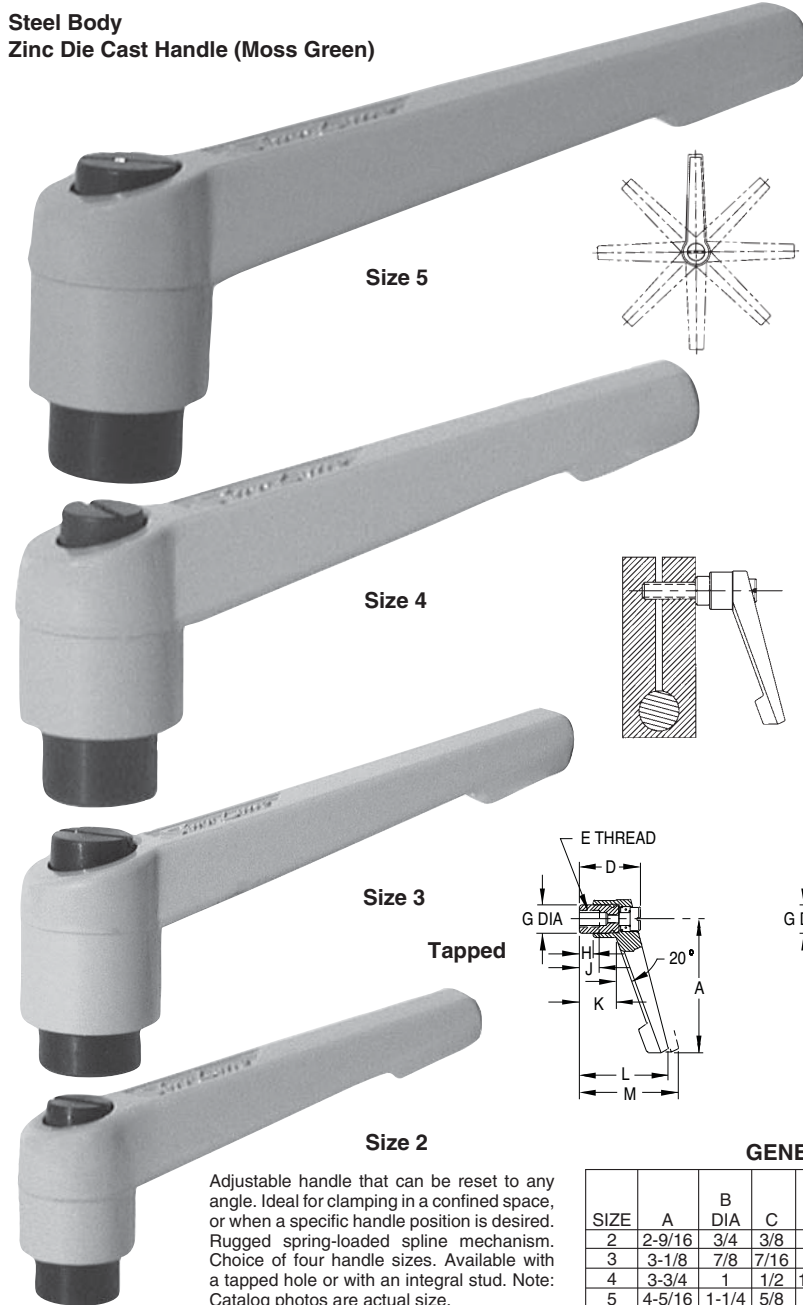
### GENERAL DIMENSIONS

SIZE	A	B DIA	C	D	G DIA	H	K	L	M
1	1-3/4	19/32	5/16	31/32	3/8	5/32	7/16	1-3/8	1-1/2
2	2-1/2	3/4	13/32	1-7/32	17/32	1/4	13/16	1-25/32	1-15/16
3	3-1/16	7/8	17/32	1-7/16	5/8	5/16	7/8	2-5/32	2-5/16
4	3-5/8	1	9/16	1-11/16	3/4	7/16	1-3/16	2-9/16	2-23/32

## ADJUSTABLE HANDLES

HANDLE: ZINC DIE CASTING; ENAMEL PAINT  
BODY: 12L14 STEEL, BLACK OXIDE FINISH. SPRING: MUSIC WIRE

Steel Body  
Zinc Die Cast Handle (Moss Green)



### TAPPED (USA)

PART NO.	SIZE	E	J
CL-4-AH-2	2	1/4-20	1/2
CL-5-AH-2		5/16-18	
CL-5-AH-3	3	5/16-18	9/16
CL-6-AH-3		3/8-16	
CL-6-AH-4	4	3/8-16	5/8
CL-8-AH-4		1/2-13	
CL-8-AH-5	5	1/2-13	7/8
CL-10-AH-5		5/8-11	

### TAPPED (METRIC)

CLM-8-AH-2	2	M8	1/2
CLM-10-AH-3	3	M10	9/16
CLM-12-AH-4	4	M12	5/8
CLM-16-AH-5	5	M16	7/8

### STUD TYPE (USA)

PART NO.	SIZE	E	F
CL-510-AH-2	2	5/16-18	1
CL-515-AH-2			1-1/2
CL-520-AH-2	3	3/8-16	2
CL-610-AH-3			1
CL-615-AH-3	4	1/2-13	1-1/2
CL-620-AH-3			2
CL-810-AH-4	5	5/8-11	1
CL-815-AH-4			1-1/2
CL-820-AH-4	3	1-1/2	2
CL-830-AH-4			3
CL-1015-AH-5	5	5/8-11	1-1/2
CL-1020-AH-5			2
CL-1030-AH-5	3		

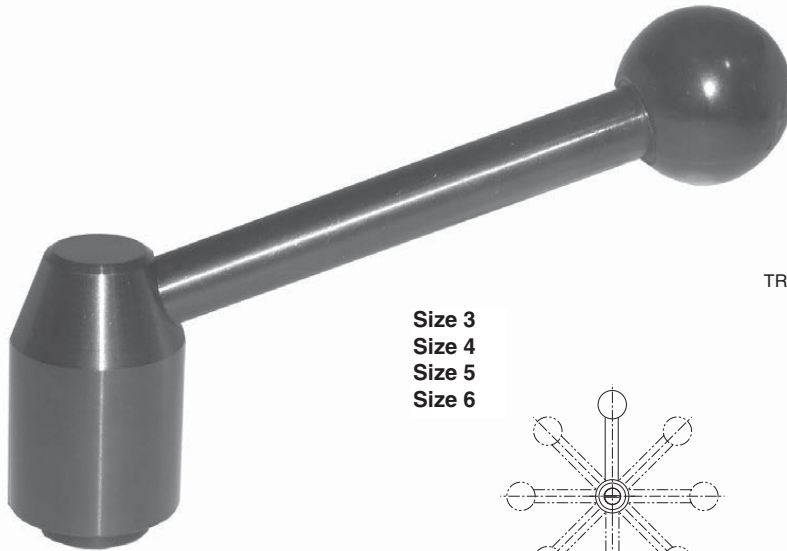
Adjustable handle that can be reset to any angle. Ideal for clamping in a confined space, or when a specific handle position is desired. Rugged spring-loaded spline mechanism. Choice of four handle sizes. Available with a tapped hole or with an integral stud. Note: Catalog photos are actual size.

### GENERAL DIMENSIONS

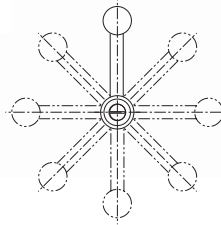
SIZE	A	B DIA	C	D	G DIA	H	K	L	M
2	2-9/16	3/4	3/8	1-1/8	17/32	1/4	11/16	1-11/16	1-7/8
3	3-1/8	7/8	7/16	1-1/2	5/8	13/32	15/16	2-3/16	2-5/16
4	3-3/4	1	1/2	1-11/16	3/4	13/32	1-1/16	2-1/2	2-11/16
5	4-5/16	1-1/4	5/8	2	15/16	15/32	1-5/16	2-15/16	3-1/8

## ADJUSTABLE LEVER HANDLES

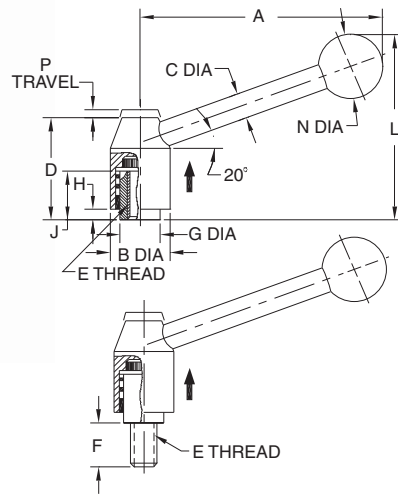
LEVER ARM, HUB, INSERT, AND SPRING: MILD STEEL, BLACK OXIDE FINISH  
BALL KNOB: BLACK PHENOLIC PLASTIC



Size 3  
Size 4  
Size 5  
Size 6



Steel



Heavy-duty adjustable handle that can be reset to any angle. Ideal for clamping in a confined space, or when a specific handle position is desired. Rugged spring-loaded spline mechanism. Lift handle to disengage serrations, rotate to desired position, then release handle to automatically re-engage spline. Available with a tapped hole or an integral stud.

### STEEL — TAPPED (USA)

PART NO.	SIZE	A	B DIA	C DIA	D	E	F	G	H	J	L	N DIA	P
CL-6-AHL-3	3	3.94	.94	.39	1.57	3/8-16	—	.63	.10	.55	2.95	.98	.18
CL-8-AHL-4	4	4.53	1.10	.47	1.91	1/2-13	—	.75	.18	.67	3.54	1.18	
CL-10-AHL-5	5	5.12	1.30	.47	2.17	5/8-11	—	.91	.24	.91	3.94	1.26	.22
CL-12-AHL-6	6	5.71	1.57	.55	2.68	3/4-10	—	1.10		1.42	4.33	1.38	

### STEEL — TAPPED (METRIC)

CLM-10-AHL-3	3	3.94	.94	.39	1.57	M10	—	.63	.10	.55	2.95	.98	.18
CLM-12-AHL-4	4	4.53	1.10	.47	1.91	M12	—	.75	.18	.67	3.54	1.18	
CLM-16-AHL-5	5	5.12	1.30	.47	2.17	M16	—	.91	.24	.91	3.94	1.26	.22
CLM-20-AHL-6	6	5.71	1.57	.55	2.68	M20	—	1.10		1.42	4.33	1.38	

### STEEL — STUD TYPE (USA)

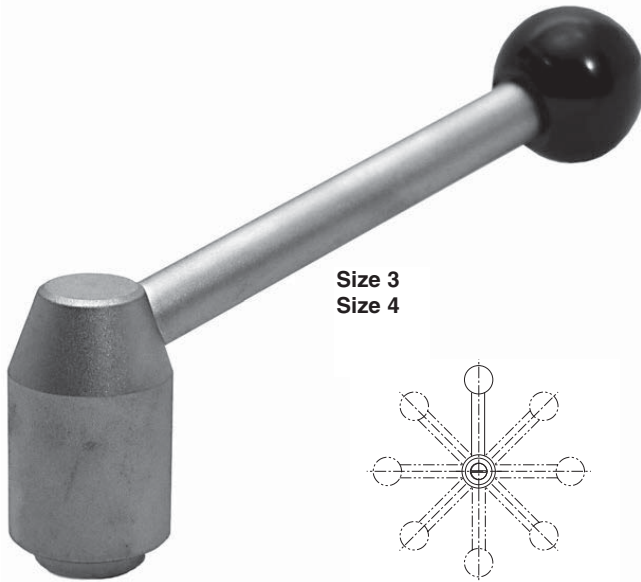
CL-613-AHL-3	3	3.94	.94	.39	1.57	3/8-16	1.26	.63	.10	—	2.95	.98	.18
2.48													
CL-625-AHL-3	4	4.53	1.10	.47	1.91	1/2-13	1.26	.75	.18	—	3.54	1.18	
2.48													
CL-813-AHL-4	5	5.12	1.30	.47	2.17	5/8-11	1.57	.91	.24	—	3.94	1.26	.22
2.48													
CL-1016-AHL-5	6	5.71	1.57	.55	2.68	3/4-10	1.57	.91	.24	—	4.33	1.38	
2.48													

### STEEL — STUD TYPE (METRIC)

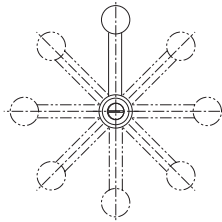
CLM-1050-AHL-3	3	3.94	.94	.39	1.57	M10	1.97	.63	.10	—	2.95	.98	.18
CLM-1250-AHL-4	4	4.53	1.10	.47	1.91	M12	1.97	.75	.18	—	3.54	1.18	
CLM-1650-AHL-5	5	5.12	1.30	.47	2.17	M16	1.97	.91	.24	—	3.94	1.26	.22

## ADJUSTABLE LEVER HANDLES

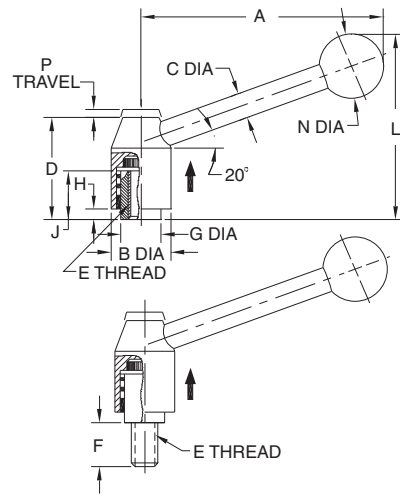
LEVER ARM, HUB, INSERT, AND SPRING: STAINLESS STEEL  
BALL KNOB: PHENOLIC PLASTIC



Size 3  
Size 4



Stainless Steel



Heavy-duty stainless steel adjustable handle that can be reset to any angle. Ideal for clamping in a confined space, or when a specific handle position is desired. Rugged spring-loaded spline mechanism. Lift handle to disengage serrations, rotate to desired position, then release handle to automatically re-engage spline. Available with a tapped hole or an integral stud.

### STAINLESS STEEL — TAPPED (USA)

PART NO.	SIZE	A	B DIA	C DIA	D	E	F	G	H	J	L	N DIA	P
CL-6-AHL-3-S	3	3.94	.94	.39	1.57	3/8-16	—	.63	.10	.55	2.95	.98	.18
CL-8-AHL-4-S	4	4.53	1.10	.47	1.91	1/2-13	—	.75	.18	.67	3.54	1.18	.18

### STAINLESS STEEL — TAPPED (METRIC)

CLM-10-AHL-3-S	3	3.94	.94	.39	1.57	M10	—	.63	.10	.55	2.95	.98	.18
CLM-12-AHL-4-S	4	4.53	1.10	.47	1.91	M12	—	.75	.18	.67	3.54	1.18	.18

### STAINLESS STEEL — STUD TYPE (USA)

CL-613-AHL-3-S	3	3.94	.94	.39	1.57	3/8-16	1.26	.63	.10	—	2.95	.98	.18
CL-625-AHL-3-S							2.48						
CL-813-AHL-4-S	4	4.53	1.10	.47	1.91	1/2-13	1.26	.75	.18	—	3.54	1.18	.18
CL-825-AHL-4-S							2.48						

### STAINLESS STEEL — STUD TYPE (METRIC)

CLM-1050-AHL-3-S	3	3.94	.94	.39	1.57	M10	1.97	.63	.10	—	2.95	.98	.18
CLM-1250-AHL-4-S	4	4.53	1.10	.47	1.91	M12	1.97	.75	.18	—	3.54	1.18	.18