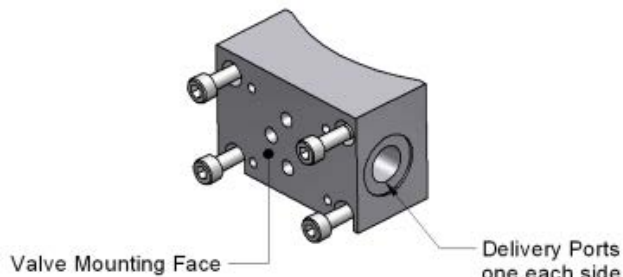


Manifold Blocks

CETOP03/D03MG6 Manifold Block (vertical)



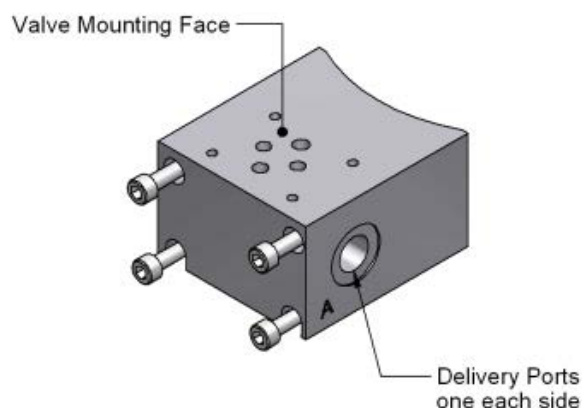
Ordering codes:

Pump Range	Code	Port Thread
KR05 to KR40	KS05<40-BXV-46K3H	G 3/8"
KR05 to KR40	KS05<40-SXV-46KH	6 SAE
KR80	KS80-BXV-46K3H	G 1/4"
KR80	KS80-SXV-46KH	4 SAE
GX10 to GX40	GS10<40-BXV-64KH	G 3/8"
GX10 to GX40	GS10<40-SXV-64KH	6 SAE
GX60 to GX80	GS60<80-BXV-64KH	G 1/4"
GX60 to GX80	GS<80-SXV-64KH	4 SAE

A range of manifold blocks that enable valves conforming to CETOP03/D03/NG6 standard to be mounted directly on to pumps. This manifold block is more suitable for single valve mounting.

Note: Not available for KR02, GX025 and GX05 pumps.

CETOP03/D03/NG6 Manifold Block (horizontal)



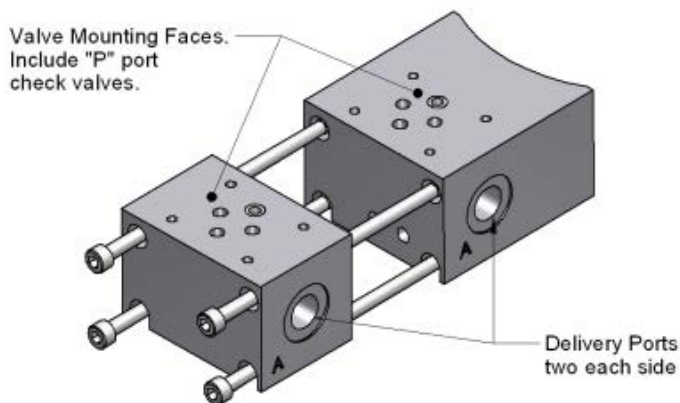
Ordering codes:

Pump Range	Code	Port Thread
KR05 to KR40	KS05<40-BXV-46K	G 3/8"
KR05 to KR40	KS05<40-SXV-46K	6 SAE
KR80	KS80-BXV46K	G 1/4"
KR80	KS80SXV-46K	4 SAE
GX10 to GX40	GS10<40-BXV-64K	G 3/8"
GX10 to GX40	GS10<40-SXV-64K	6 SAE
GX60 to GX80	GS60<80-BXV-64K	G 1/4"
GX60 to GX80	GS60<80-SXV-64K	4 SAE

A range of manifold blocks that enable valves conforming to CETOP03/D03/NG6 standard to be mounted directly on to pumps. This manifold block is more suitable for mounting a multiple valve stack in the vertical plane.

Note: Not available for KR02, GX025 and GX05 pumps.

CETOP03/D03/NG6 2 Station Manifold Block (horizontal)



A range of manifold blocks that enable valves conforming to CETOP03/D03/NG6 standard to be mounted directly on to pumps. This manifold block is more suitable for mounting a multiple valve stack in the vertical plane.

Each manifold section is fitted with an integral pressure port check valve. It is possible to fit additional manifold sections - please contact HYQUIP for details.

Ordering codes:

Pump Range	Code	Port Thread
KR05 to KR40	KS05<40-BXV-46K3H2	G 3/8"
KR05 to KR40	KS05<40-SXV-46KH2	6 SAE
KR80	Not yet available	
KR80	Not yet available	
GX10 to GX40	GS10<40-BXV-64KH2	G 3/8"
GX10 to GX40	GS10<40-SXV-64KH2	6 SAE
GX60 to GX80	GS60<80-BXV-64KH2	G 1/4"
GX60 to GX80	GS60<80-SXV-64KH2	4 SAE

Note: Not available for KR02, GX025 and GX05 pumps.