

Electric Drives
and Controls

Hydraulics

Linear Motion and
Assembly Technologies

Pneumatics

Service

Rexroth
Bosch Group

Slotted screen lamella drag-chain conveyor Type SLK

RE 50408/09.09

1/4

Technical information

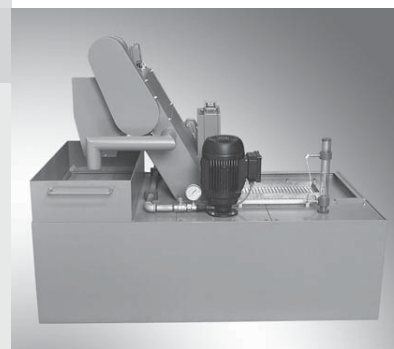


Table of contents

Contents	Page
Introduction	2
Standard construction	2
Application	2
Special features	2
Function	3
Unit dimensions	4

Introduction

The compact specialist for cast iron and aluminum processing, steel and non-ferrous metals

Filter medium-free part- and full-flow filtration of oils or emulsions containing swarf and metal particles with an output of 30 - 2000 l/min.

The compound tank is divided up into clean, mixed and dirt tank. Filtration is effected by slotted screens for the clean tank feed. The dirty section is equipped with top slotted screen and lamella assembly insert in order to support sedimentation. Utilizes the effect of geodetic level difference.

Standard construction

- Robust edge-welded design
- Compound tank – subdivision in clean, mixed and dirt tank
- Dirty section with slotted screen of stainless steel on top, slot width in 50 µm and 75 µm
- Lamella assembly insert, slope under 55°
- Removal slope under 55° with adapted discharge height
- Double-stranded chain with drag-chain angle
- Inlet distributor
- Level control system for slotted screen regeneration
- Dry-running protection of the pumps

Application

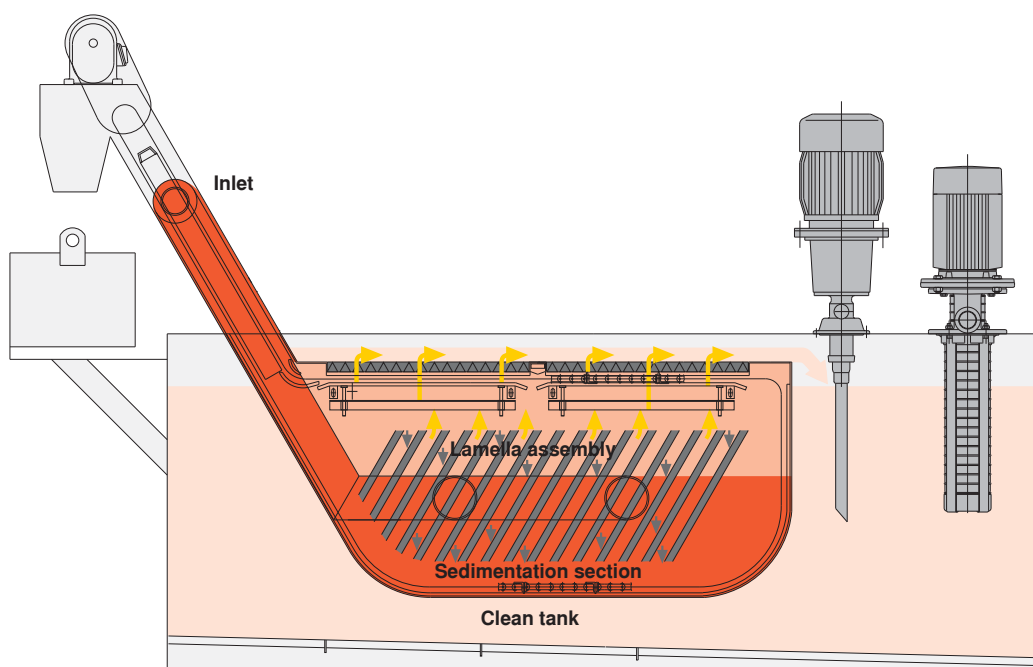
Filtration of emulsions, solutions, waters, oils during the machining of steel, cast iron, light and non-ferrous metals.

Special features

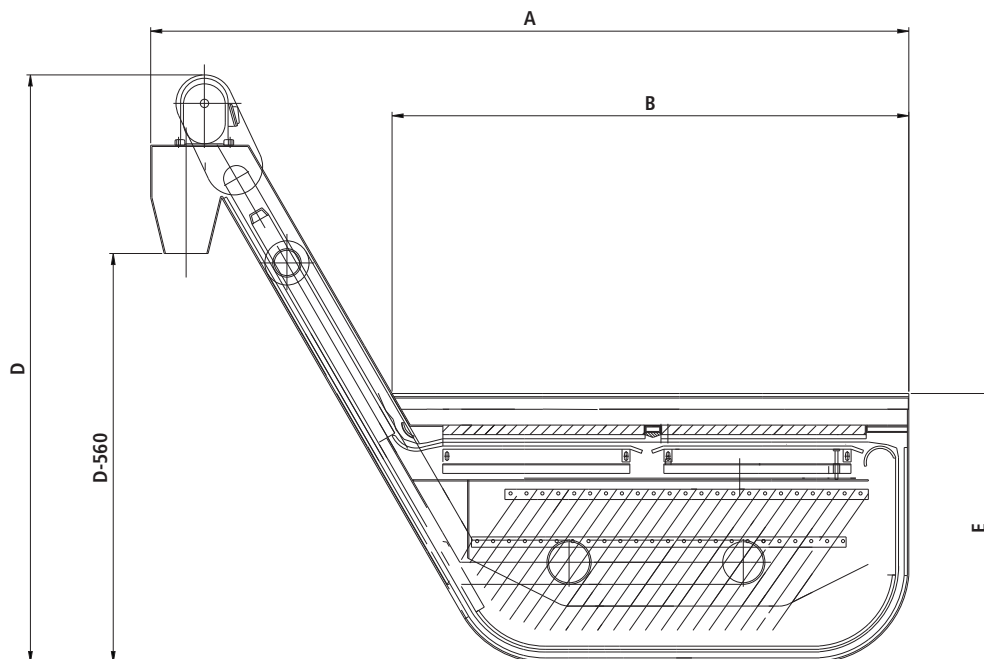
- High operational reliability, few wear parts
- Good energy balance, low heat influx
- Dry dirt removal
- Overflow protection
- Filtration by slotted screens for the clean tank feed
- Lamella assembly for supporting the sedimentation in the dirt tank
- Dirt removal over tank bottom of the dirt tank

Function

The impurities contained in the fluid settle underneath the slotted screen and are automatically removed by the scraper equipment. The impurities removed by sedimentation are dragged out over the entire tank bottom of the dirt tank, dried on the removal slope and removed.



Unit dimensions (dimensions in mm)



Type SLK	Slotted screen surface in m ²	Basic capacity in l/min	A	B	Width	D	E
400	0.2	150	1700	910	500	1860	800
600	0.4	300	2395	1600	500	1860	800
800	0.8	600	2395	1600	1000	1860	800
1000	1.0	800	2395	1600	1000	1860	900

Special sizes on request

© This document, as well as the data, specifications and other information set forth in it, are the exclusive property of Bosch Rexroth AG. It may not be reproduced or given to third parties without its consent. The data specified above only serve to describe the product. No statements concerning a certain condition or suitability for a certain application can be derived from our information. The information given does not release the user from the obligation of own judgment and verification. It must be remembered that our products are subject to a natural process of wear and aging.