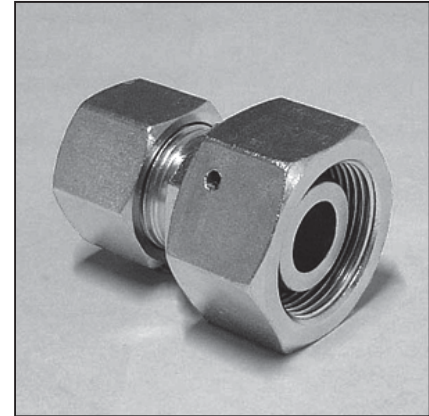
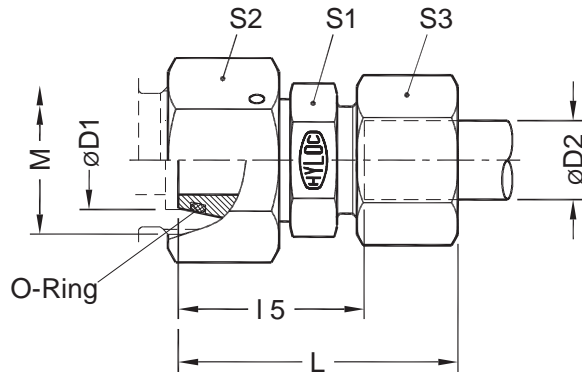


## Reducing Standpipes with O-Ring

RED-L

Metric Tube end as per ISO 8434



### Low Pressure Series

\*

Part No.	Series	ØD1	ØD2	M	I5	L	S1	S2	S3	O' Ring I.D x C.S.D.
RED0806PL	315 bar	8	6	M14 x 1.5	23.5	39.0	12	17	14	6.0 x 1.5
RED1006PL	315 bar	10	6	M16 x 1.5	25.0	40.5	14	19	14	7.5 x 1.5
RED1008PL		10	8	M16 x 1.5	25.0	40.0	14	19	17	
RED1206PL	315 bar	12	6	M18 x 1.5	25.0	40.5	17	22	14	9.0 x 1.5
RED1208PL		12	8	M18 x 1.5	25.0	40.0	17	22	17	
RED1210PL		12	10	M18 x 1.5	26.0	41.5	17	22	19	
RED1506PL	315 bar	15	6	M22 x 1.5	28.5	44.0	19	27	14	12 x 2.0
RED1508PL		15	8	M22 x 1.5	28.5	43.5	19	27	17	
RED1510PL		15	10	M22 x 1.5	29.5	45.0	19	27	19	
RED1512PL		15	12	M22 x 1.5	29.5	44.5	19	27	22	
RED1806PL	315 bar	18	6	M26 x 1.5	28.0	43.5	24	32	14	15.0 x 2.0
RED1808PL		18	8	M26 x 1.5	28.0	43.0	24	32	17	
RED1810PL		18	10	M26 x 1.5	29.0	44.5	24	32	19	
RED1812PL		18	12	M26 x 1.5	29.0	44.0	24	32	22	
RED1815PL		18	15	M26 x 1.5	30.0	46.0	24	32	27	

Dimensions in mm

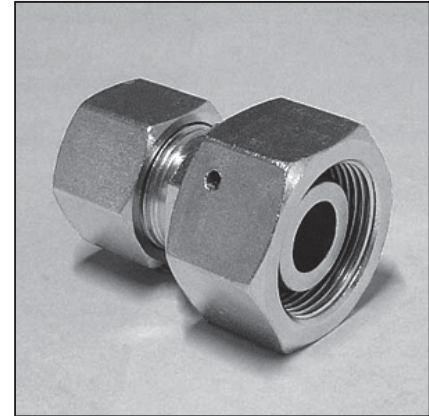
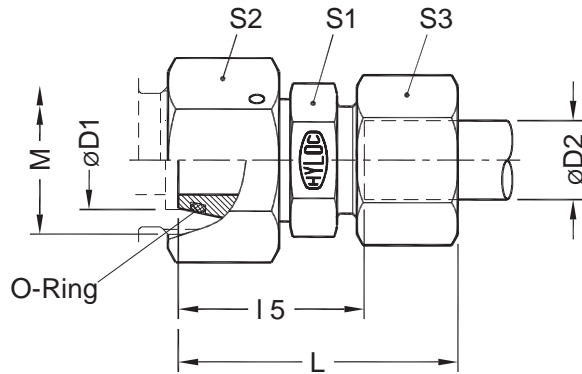
DIN Fittings

\* Dimensions given are approx figures with tightened nut.

## Reducing Standpipes with O-Ring

RED-L

Metric Tube end as per ISO 8434



### Low Pressure Series

\*

Part No.	Series	ØD1	ØD2	M	I5	L	S1	S2	S3	O' Ring I.D x C.S.D.
RED2206PL	160 bar	22	6	M30 x 2.0	32.0	47.5	27	36	14	20.0 x 2.0
RED2208PL		22	8	M30 x 2.0	32.0	47.0	27	36	17	
RED2210PL		22	10	M30 x 2.0	33.0	48.5	27	36	19	
RED2212PL		22	12	M30 x 2.0	33.0	48.0	27	36	22	
RED2215PL		22	15	M30 x 2.0	34.0	50.0	27	36	27	
RED2218PL		22	18	M30 x 2.0	33.5	50.5	27	36	32	
RED2806PL	160 bar	28	6	M36 x 2.0	34.0	49.5	32	41	14	26.0 x 2.0
RED2808PL		28	8	M36 x 2.0	34.0	49.0	32	41	17	
RED2810PL		28	10	M36 x 2.0	35.0	50.5	32	41	19	
RED2812PL		28	12	M36 x 2.0	35.0	50.0	32	41	22	
RED2815PL		28	15	M36 x 2.0	36.0	52.0	32	41	27	
RED2818PL		28	18	M36 x 2.0	35.5	52.5	32	41	32	
RED2822PL		28	22	M36 x 2.0	37.5	54.5	32	41	36	

Dimensions in mm

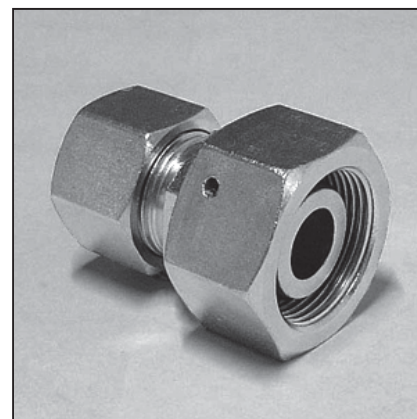
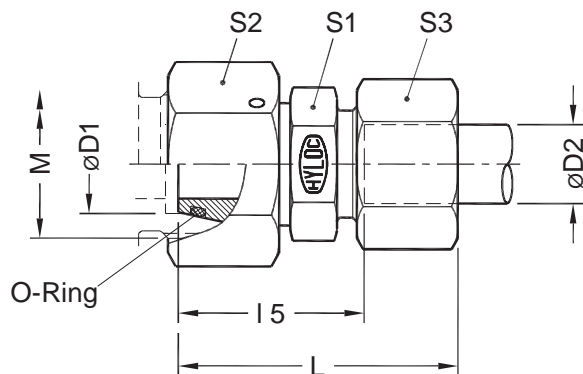
DIN Fittings

\* Dimensions given are approx figures with tightened nut.

## Reducing Standpipes with O-Ring

RED-L

Metric Tube end as per ISO 8434



### Low Pressure Series

\*

Part No.	Series	ØD1	ØD2	M	I5	L	S1	S2	S3	O' Ring I.D x C.S.D.
RED3506PL	160 bar	35	6	M45 x 2.0	37.0	52.5	41	50	14	32.0 x 2.5
RED3508PL		35	8	M45 x 2.0	37.0	52.0	41	50	17	
RED3510PL		35	10	M45 x 2.0	38.0	53.5	41	50	19	
RED3512PL		35	12	M45 x 2.0	38.0	53.0	41	50	22	
RED3515PL		35	15	M45 x 2.0	39.0	55.0	41	50	27	
RED3518PL		35	18	M45 x 2.0	38.5	55.5	41	50	32	
RED3522PL		35	22	M45 x 2.0	40.5	57.5	41	50	36	
RED3528PL		35	28	M45 x 2.0	40.5	58.5	41	50	41	
RED4210PL	160 bar	42	10	M52 x 2.0	41.5	57.0	50	60	19	38.0 x 2.5
RED4212PL		42	12	M52 x 2.0	41.5	56.5	50	60	22	
RED4215PL		42	15	M52 x 2.0	42.5	58.5	50	60	27	
RED4218PL		42	18	M52 x 2.0	42.0	59.0	50	60	32	
RED4222PL		42	22	M52 x 2.0	44.0	61.0	50	60	36	
RED4228PL		42	28	M52 x 2.0	44.0	62.0	50	60	41	
RED4235PL		42	35	M52 x 2.0	43.0	66.0	50	60	50	

Dimensions in mm

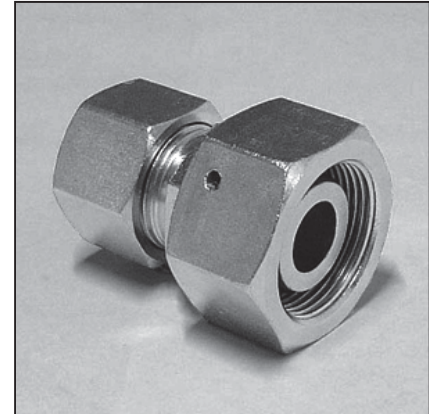
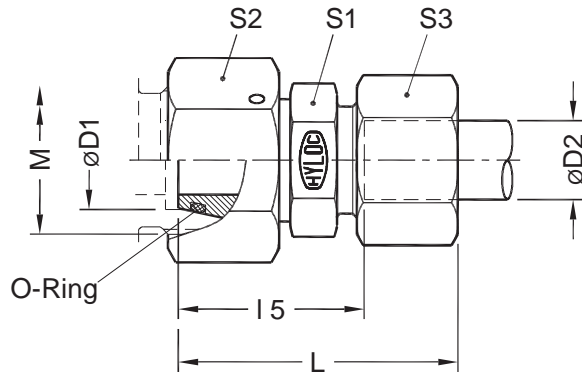
DIN Fittings

\* Dimensions given are approx figures with tightened nut.

## Reducing Standpipes with O-Ring

RED-G

Metric Tube end as per ISO 8434



### <[ \ Pressure Series

\*

Part No.	Series	ØD1	ØD2	M	I5	L	S1	S2	S3	O' Ring I.D x C.S.D.
RED0806PS	630 bar	8	6	M16 x 1.5	27.0	42.5	14	19	17	6.0 x 1.5
RED1006PS	630 bar	10	6	M18 x 1.5	27.5	43.0	17	22	17	7.5 x 1.5
RED1008PS		10	8	M18 x 1.5	27.5	42.5	17	22	19	
RED1206PS	630 bar	12	6	M20 x 1.5	29.0	44.5	17	24	17	9.0 x 1.5
RED1208PS		12	8	M20 x 1.5	29.0	44.0	17	24	19	
RED1210PS		12	10	M20 x 1.5	29.5	46.5	19	24	22	
RED1606PS	400 bar	16	6	M24 x 1.5	32.0	47.5	22	30	17	12.0 x 2.0
RED1608PS		16	8	M24 x 1.5	32.0	47.0	22	30	19	
RED1610PS		16	10	M24 x 1.5	31.5	48.5	22	30	22	
RED1612PS		16	12	M24 x 1.5	31.5	48.0	22	30	24	
RED2006PS	400 bar	20	6	M30 x 2.0	36.0	51.5	27	36	17	16.3 x 2.4
RED2008PS		20	8	M30 x 2.0	36.0	51.0	27	36	19	
RED2010PS		20	10	M30 x 2.0	35.5	52.5	27	36	22	
RED2012PS		20	12	M30 x 2.0	35.5	52.0	27	36	24	
RED2016PS		20	16	M30 x 2.0	36.5	55.5	27	36	30	

Dimensions in mm

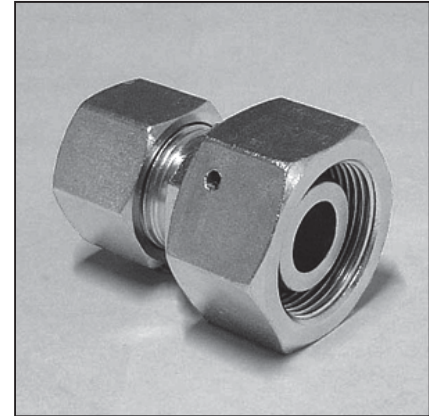
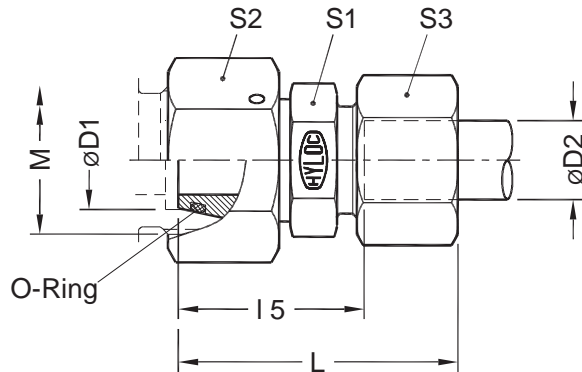
DIN Fittings

\* Dimensions given are approx figures with tightened nut.

## Reducing Standpipes with O-Ring

RED-G

Metric Tube end as per ISO 8434



### <[ \ ' Pressure Series

\*

Part No.	Series	ØD1	ØD2	M	I5	L	S1	S2	S3	O' Ring I.D x C.S.D.
RED2506PS	400 bar	25	6	M36 x 2.0	38.5	54.0	32	46	17	20.3 x 2.4
RED2508PS		25	8	M36 x 2.0	38.5	53.5	32	46	19	
RED2510PS		25	10	M36 x 2.0	38.0	55.0	32	46	22	
RED2512PS		25	12	M36 x 2.0	38.0	54.5	32	46	24	
RED2516PS		25	16	M36 x 2.0	39.0	58.0	32	46	30	
RED2520PS		25	20	M36 x 2.0	39.0	61.5	32	46	36	
RED3006PS	400 bar	30	6	M42 x 2.0	44.0	59.5	41	50	17	25.3 x 2.4
RED3008PS		30	8	M42 x 2.0	44.0	59.0	41	50	19	
RED3010PS		30	10	M42 x 2.0	43.5	60.5	41	50	22	
RED3012PS		30	12	M42 x 2.0	43.5	60.0	41	50	24	
RED3016PS		30	16	M42 x 2.0	44.5	63.5	41	50	30	
RED3020PS		30	20	M42 x 2.0	44.5	67.0	41	50	36	
RED3025PS		30	25	M42 x 2.0	45.0	70.0	41	50	46	
RED3810PS	315 bar	38	10	M52 x 2.0	47.0	64.0	50	60	22	33.3 x 2.4
RED3812PS		38	12	M52 x 2.0	47.0	63.5	50	60	24	
RED3816PS		38	16	M52 x 2.0	48.0	67.0	50	60	30	
RED3820PS		38	20	M52 x 2.0	48.0	70.5	50	60	36	
RED3825PS		38	25	M52 x 2.0	48.5	73.5	50	60	46	
RED3830PS		38	30	M52 x 2.0	49.0	77.0	50	60	50	

Dimensions in mm

DIN Fittings

\* Dimensions given are approx figures with tightened nut.