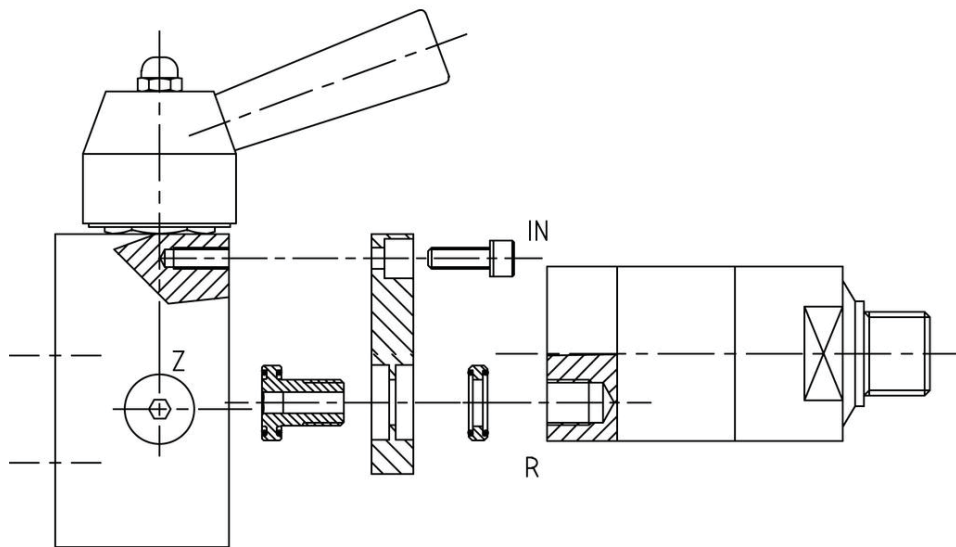
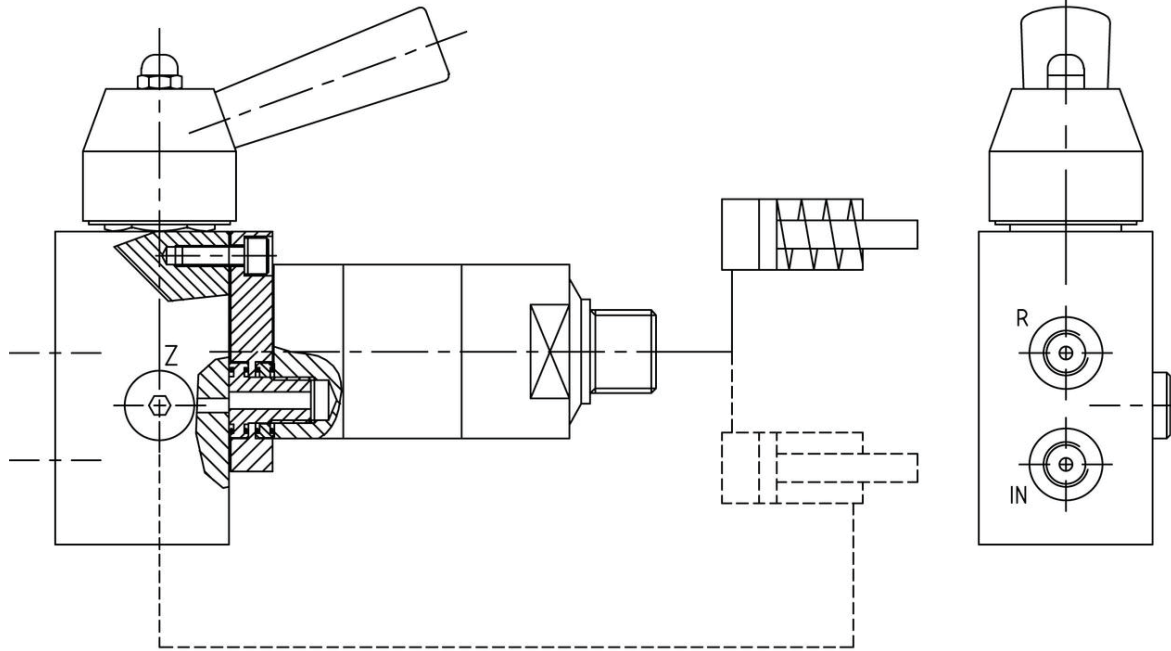


## Manually Operated Valves



### Ordering a Manual Cartridge Valve

Ordering example: CP-640-1B033D, cavity: C10-4

Model your selection...			Operation your selection...
<b>Series</b>	<b>Type</b>	<b>Cavity</b>	<b>D</b>
4/3	CP-640-1B033D CP-640-1B053D	C10-4 C10-4	
			<b>Operation</b> Dentent with handle

