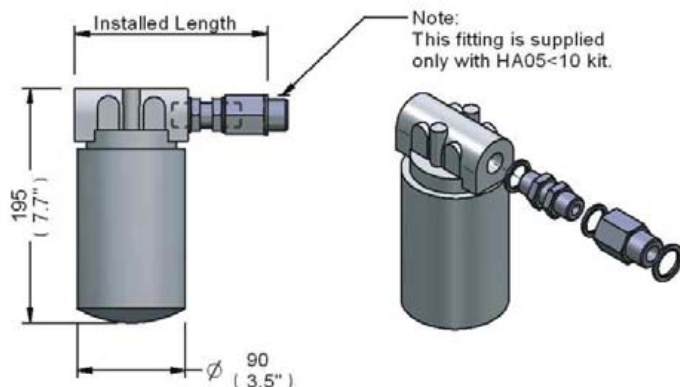


Fluid Filtration

GX Return Line Filters

to suit GX05 to GX 80 series pumps without valve manifold



A range of line mounted 10 micron return filters to suit GX05 to GX80 series pumps. The filter is available as a stand-alone item or in a kit, which also contains all necessary fittings to mount the filter to the pump return port.

- Maximum working pressure 14 Bar.
- Maximum flow rate 90 lpm.
- Fluids - Petroleum Based Only
- Not suitable for GX pumps with valve manifold

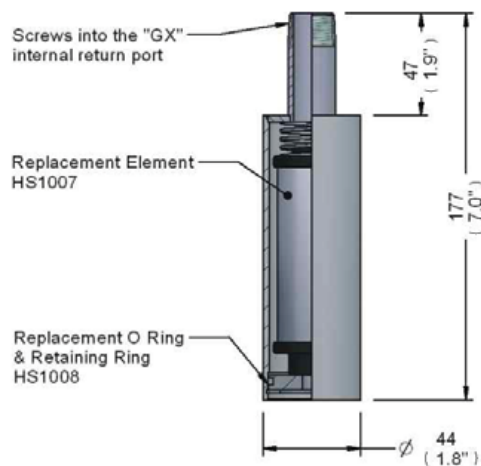
ORDERING CODES

Description	Part Number	To Suit Pump Types	Fittings Incl.
Basic Filter	HA-GRLF-10	GX05 to GX80	No
Filter Kit	HA05<10-GRLF-10	GX05 and GX10	Yes
Filter Kit	HA20<40-GRLF-10	GX20, GX30 and GX40	Yes
Filter Kit	HA60<80-GRLF-10	GX60 and GX80	Yes

Replacement Element Part No. HSE-3000

Return Line Filter

to suit GX20, 30 and 40 series pump with valve manifold



A return line filter, especially suitable for use with manifold equipped GX20, GX30 and GX40 series pumps. The filter screws into the return port (G1/2" BSPT) on the bottom face of the pump flange. It is only suitable for use with R1, R2 and 10 litre capacity reservoirs.

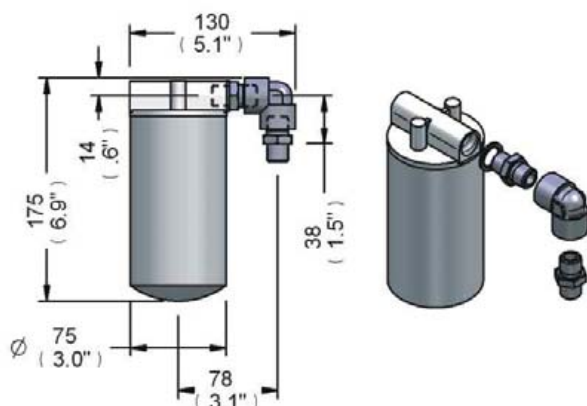
- Filtration level: 20 micron (nominal)
- Filter material: Paper (Wire supported)
- Fluid compatibility: Mineral & lubricating oils only
- Temperature range -10 to + 100deg. C
- Pressure drop: 0.06 bar at 30 lpm

ORDERING CODES

Description	Code:
Return Filter Assembly	HA20/40-XXN-09
Filter element	HS1007
Spares Kit	HS1008

KR Return Line Filters

to suit KR05 to KR80 series pump without valve manifold



A range of line mounted 10 micron return filters to suit KR05 to KR80 series pumps. The filter is available as a stand-alone item or in a kit, which also contains all necessary fittings to mount the filter to the pump return port.

- Maximum working pressure 14 Bar.
- Maximum flow rate 31 lpm.
- Fluids - Petroleum Based Only
- Not suitable for KR pumps with valve manifold

ORDERING CODES

Description	Part Number	To Suit Pump Types	Fittings Incl.
Basic Filter	HA-KRLF-10	KR05 to KR80	No
Filter Kit	HA05<80-KRLF-10	KR05 to KR80	Yes

Replacement Element Part No. - HSE 3001